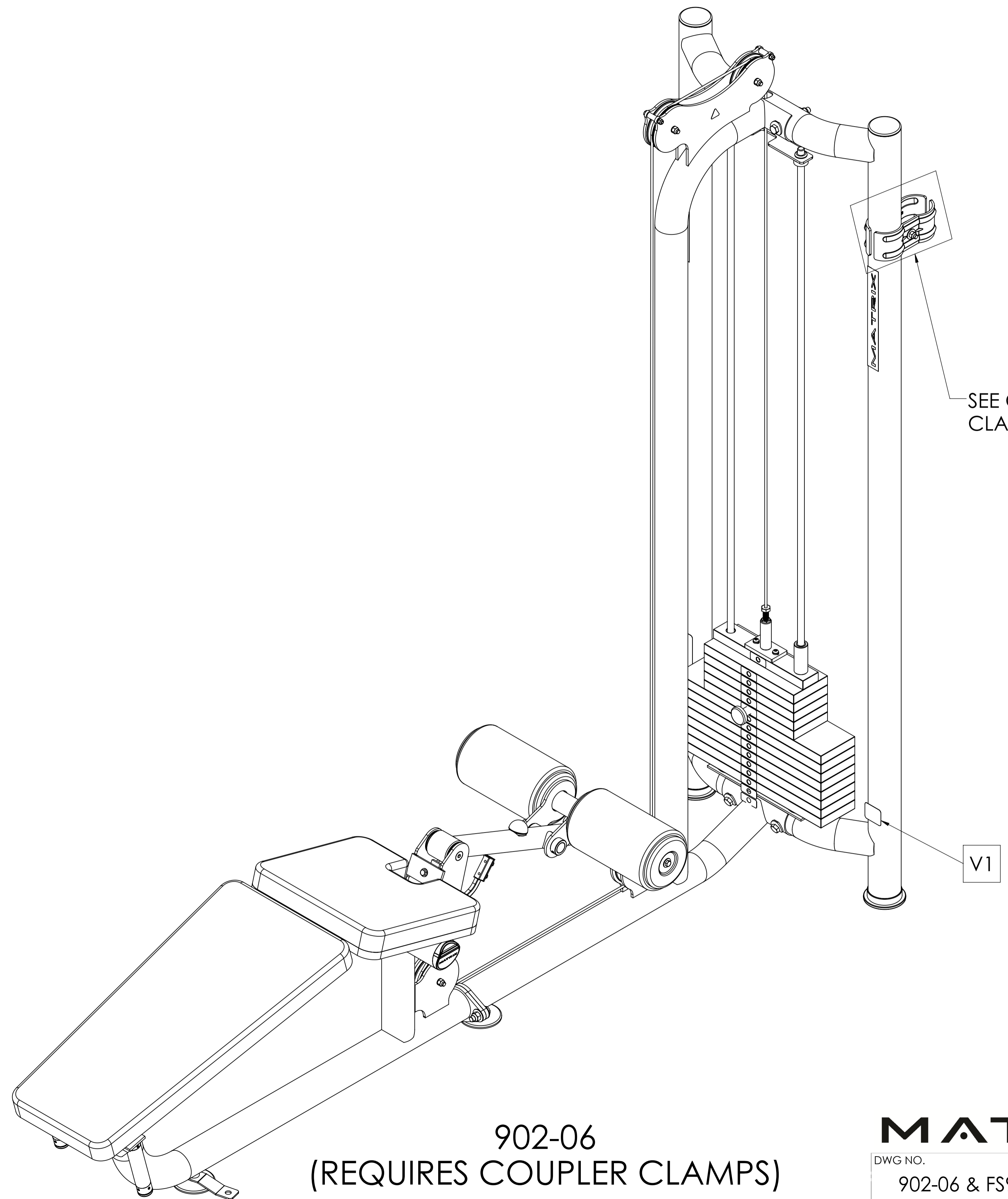


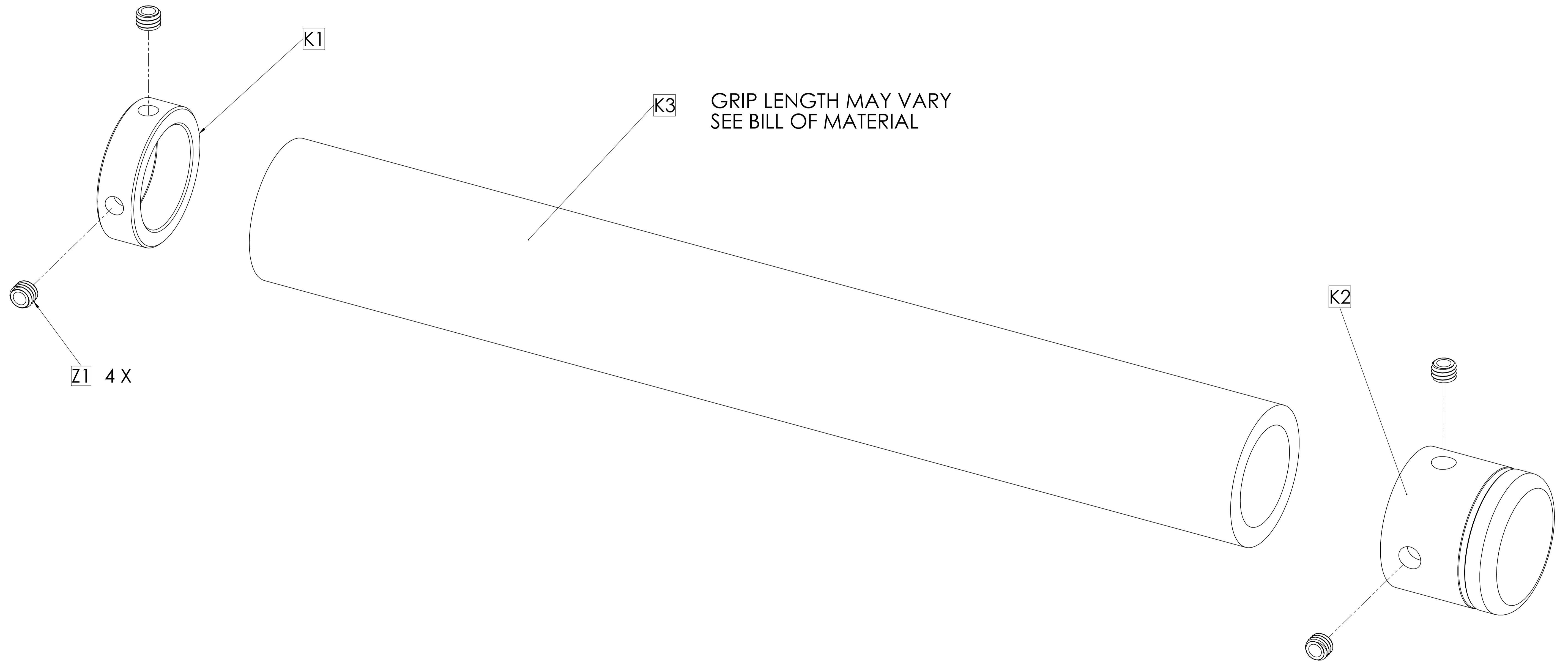
FS902-06
FREE STANDING
(EXPLODED VIEW ON SHEET 1



902-06
(REQUIRES COUPLER CLAMPS)

MATRIX

DWG NO.		902-06 & FS902-06 SERVICE	
DESCRIPTION:		Prone Leg Curl (Strength - Single Station)	
DRAWN BY:	LMB	DATE:	2018.FEB.22
UPDATED BY:	LG	DATE:	2019.SEP.04



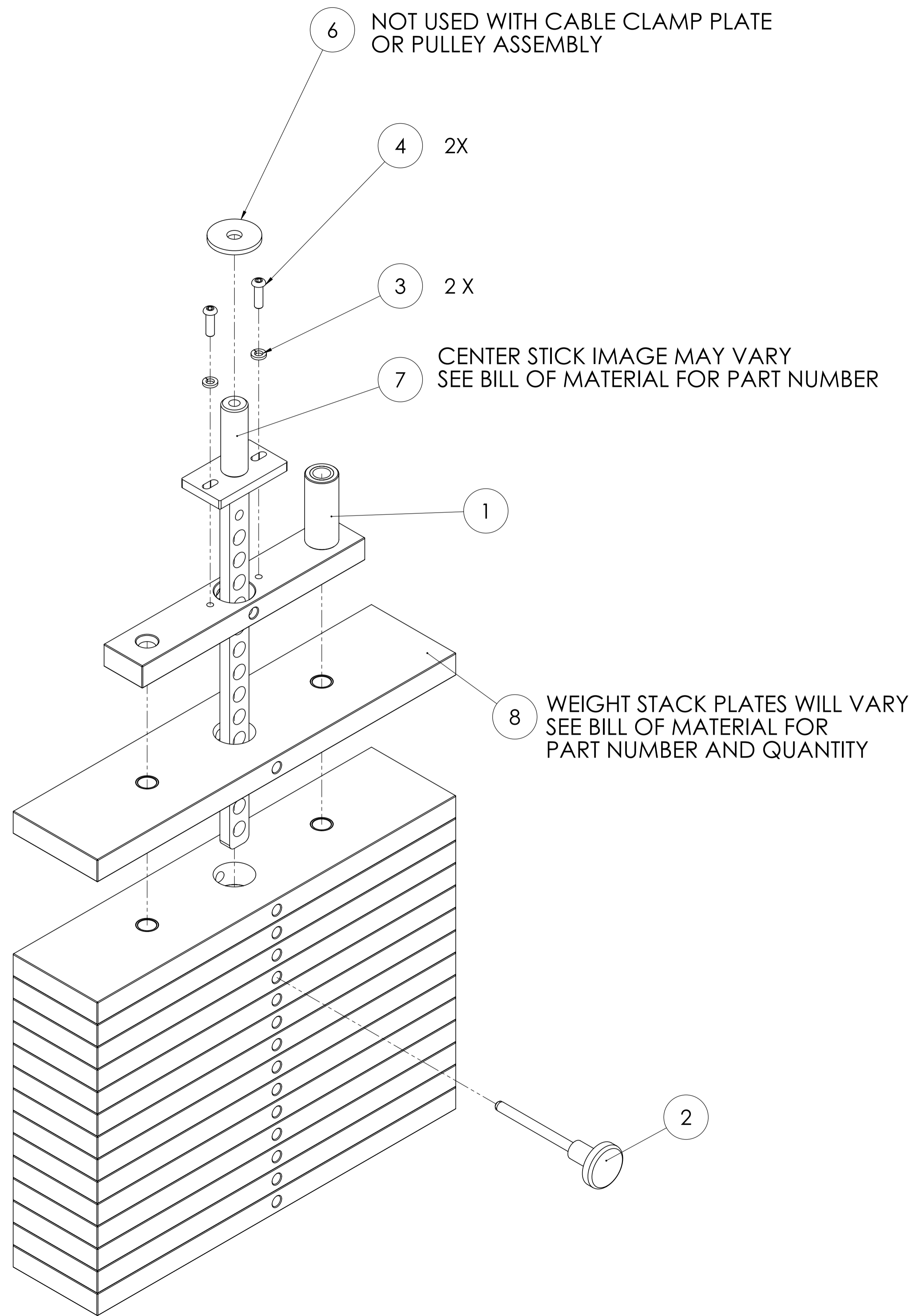
MATRIX

DWG NO:
160-056,160-057,160-058,160-059

DESCRIPTION:
SERVICE
HAND GRIP
(RUBBER GRIP TUBE)

DRAWN BY: LMB DATE: 2013.OCT.07

UPDATED BY: LMB DATE: 2015.JUN.05



**CENTER STICK WITH MOUNTING POST
CABLE MOUNTED WITH TAKE UP BOLT OR PULLEY
(SHOWN EXPLODED)
SEE NOTES AND BOM FOR PART NUMBERS**

6 NOT USED WITH CABLE CLAMP PLATE OR PULLEY ASSEMBLY

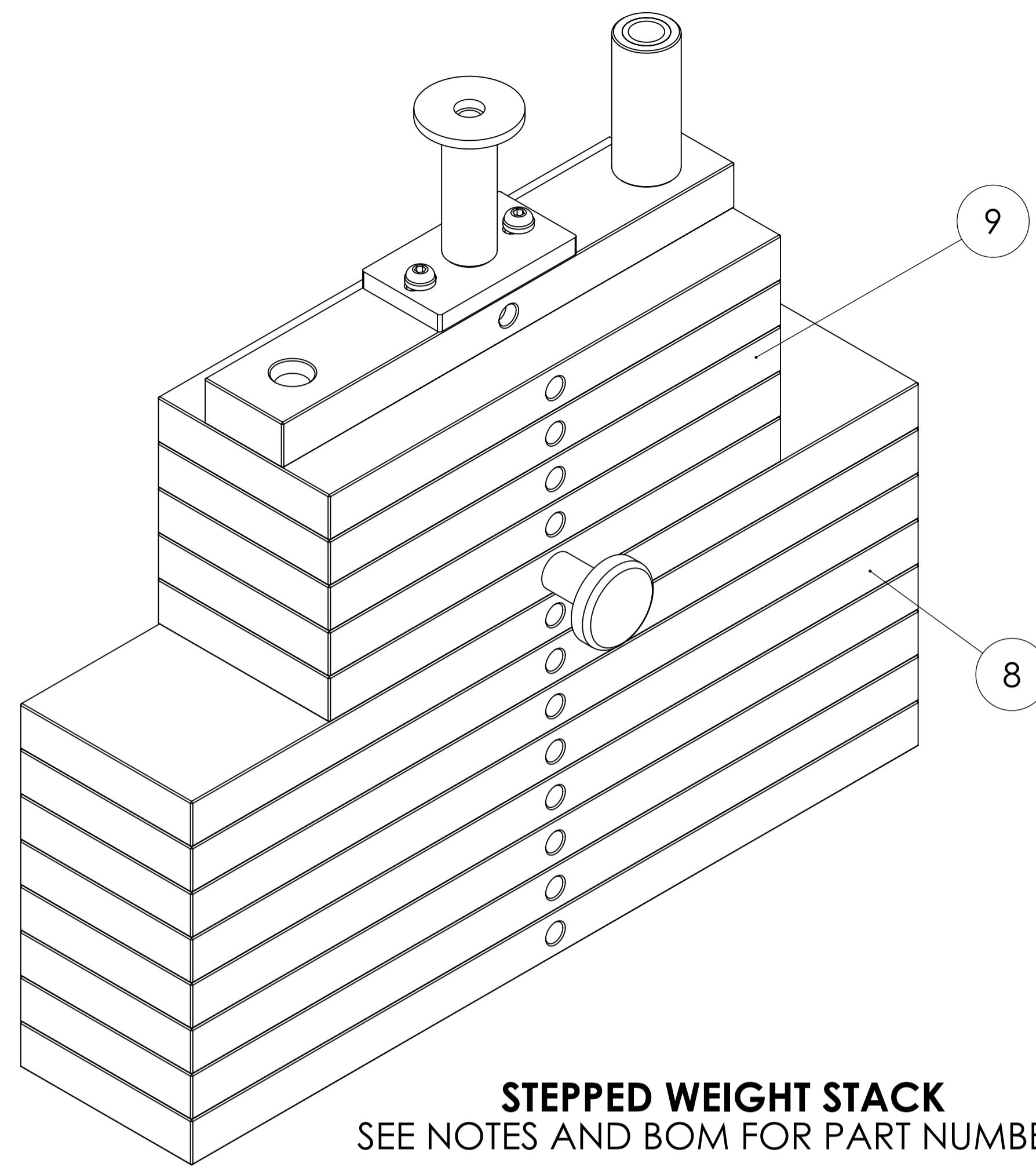
4 2X

3 2X

7 CENTER STICK IMAGE MAY VARY SEE BILL OF MATERIAL FOR PART NUMBER

8 WEIGHT STACK PLATES WILL VARY SEE BILL OF MATERIAL FOR PART NUMBER AND QUANTITY

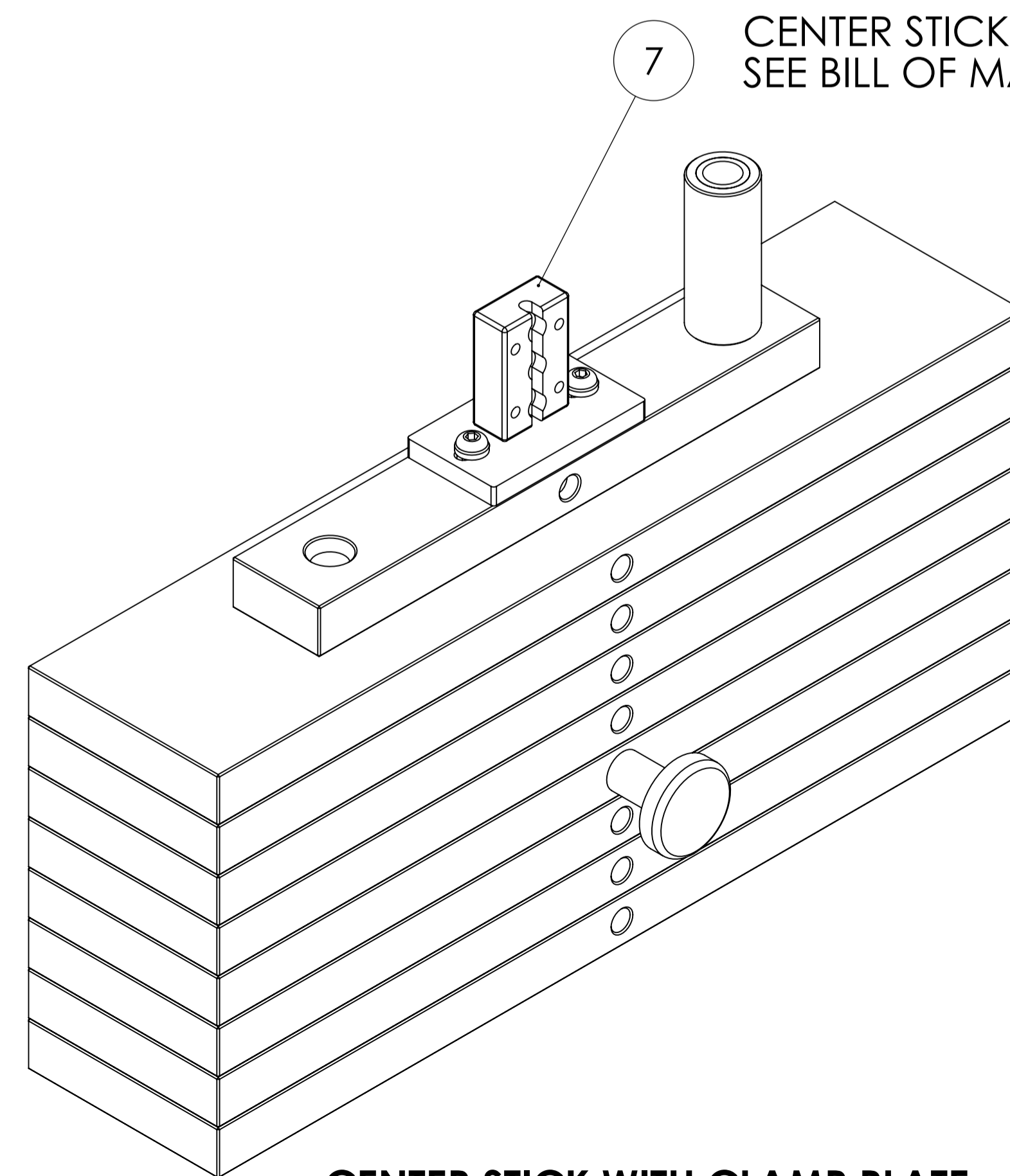
2



**STEPPED WEIGHT STACK
SEE NOTES AND BOM FOR PART NUMBERS**

9 WEIGHT STACK PLATES WILL VARY SEE BILL OF MATERIAL FOR PART NUMBER AND QUANTITY

8 WEIGHT STACK PLATES WILL VARY SEE BILL OF MATERIAL FOR PART NUMBER AND QUANTITY



**CENTER STICK WITH CLAMP PLATE
SEE NOTES AND BOM FOR PART NUMBERS**

7 CENTER STICK W/CLAMP PLATE SEE BILL OF MATERIAL FOR PART NUMBER

MATRIX

DWG NO.		_WEIGHT STACK SERVICE	
DESCRIPTION: WEIGHT STACK/CENTERSTICK ASSY (Take Up Bolt, Pulley & Clamp Style)			
DRAWN BY:	LMB	DATE:	2013.OCT.10
UPDATED BY:	LMB	DATE:	2017.DEC.29