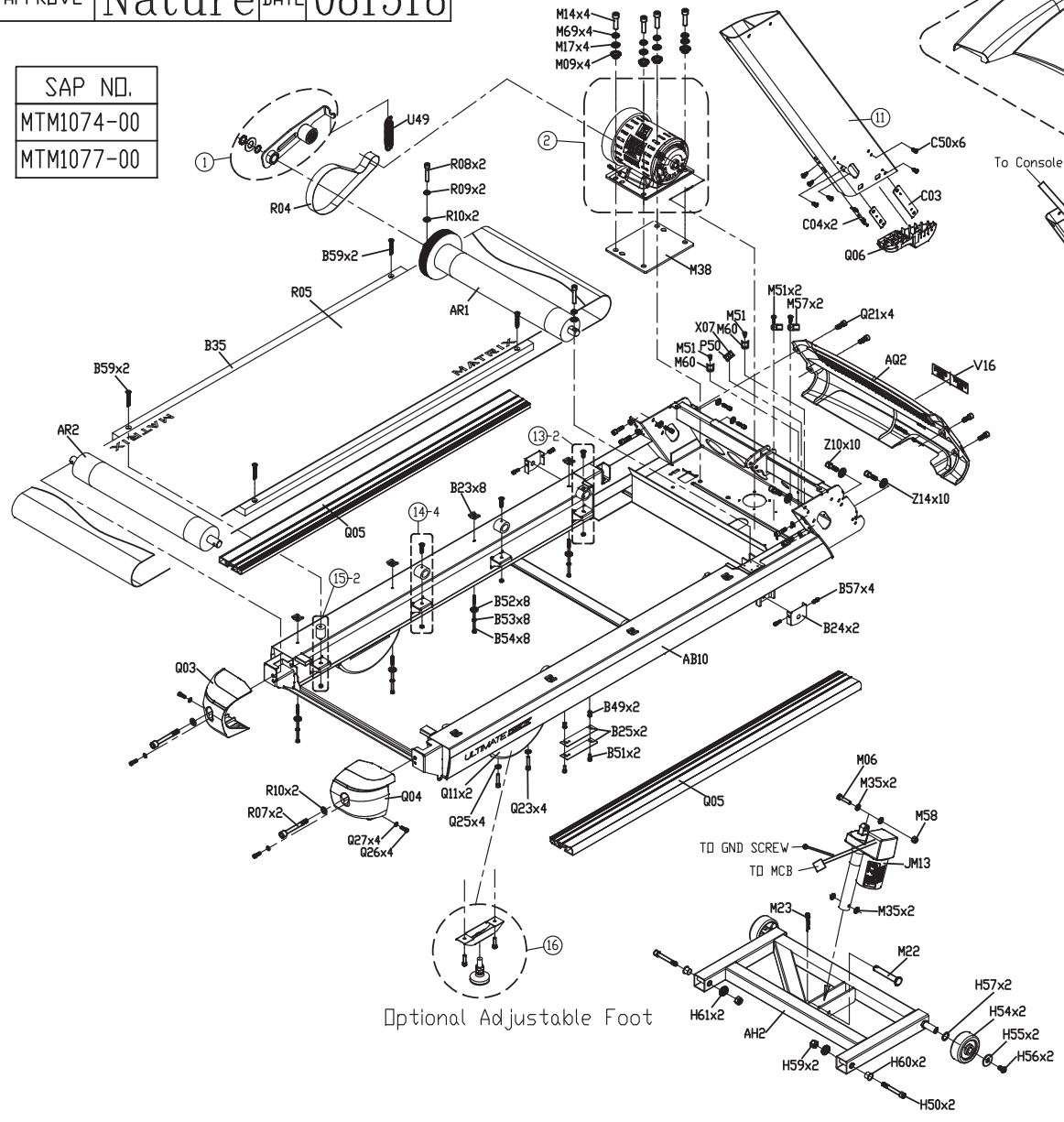
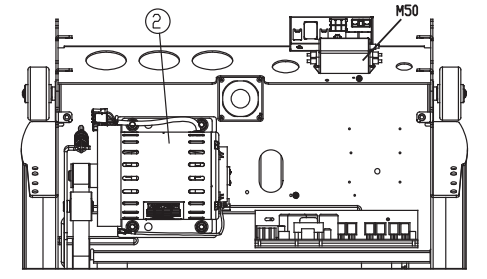
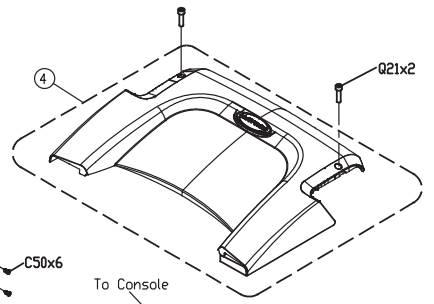


| | |
|------------|---------------------------|
| DRAWING NO | TM539-A04 |
| PART NAME | Explosive Rendering Farme |
| PART NO | 1000423451 |
| APPROVE | Nature DATE 081518 |

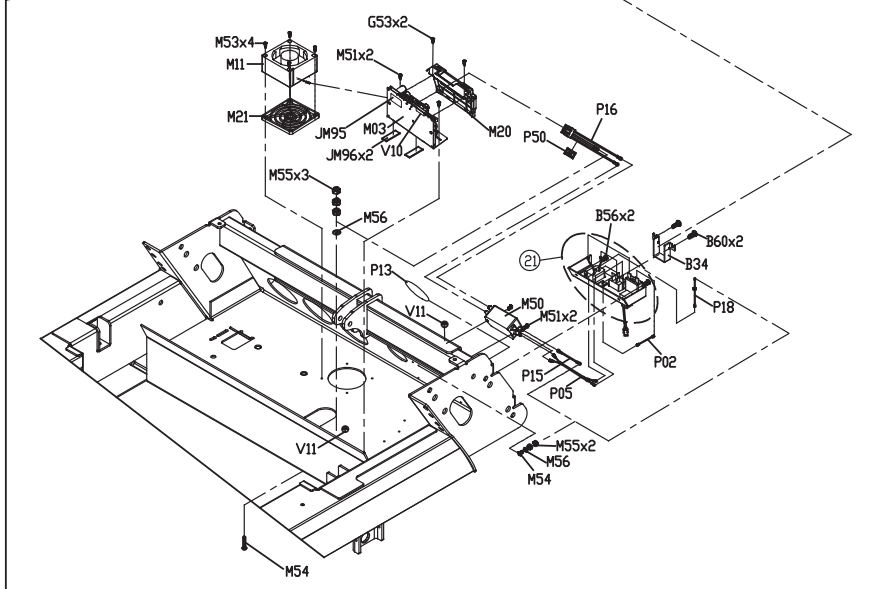
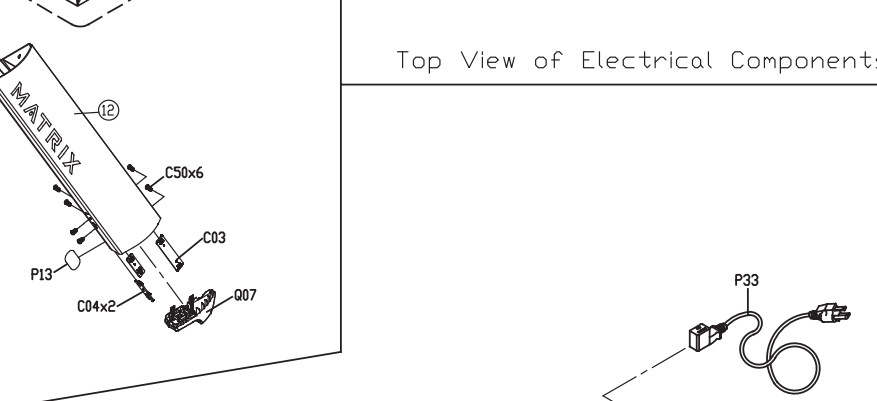
| |
|------------|
| SAP NO. |
| MTM1074-00 |
| MTM1077-00 |



Optional Adjustable Foot



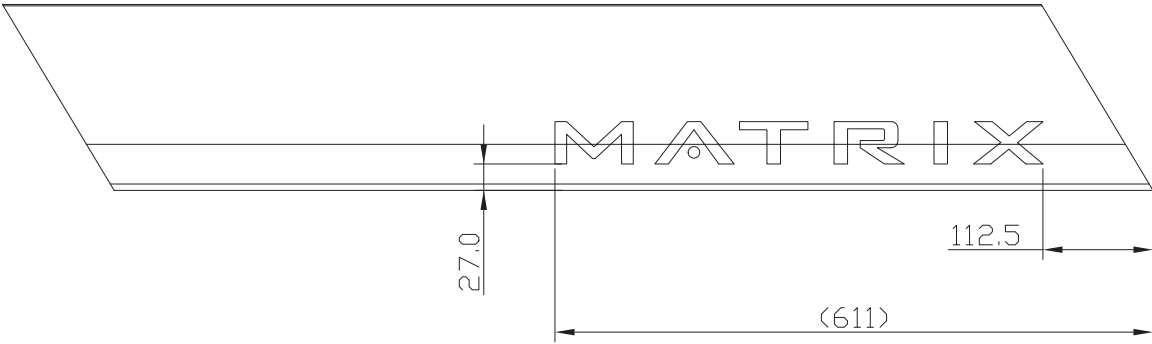
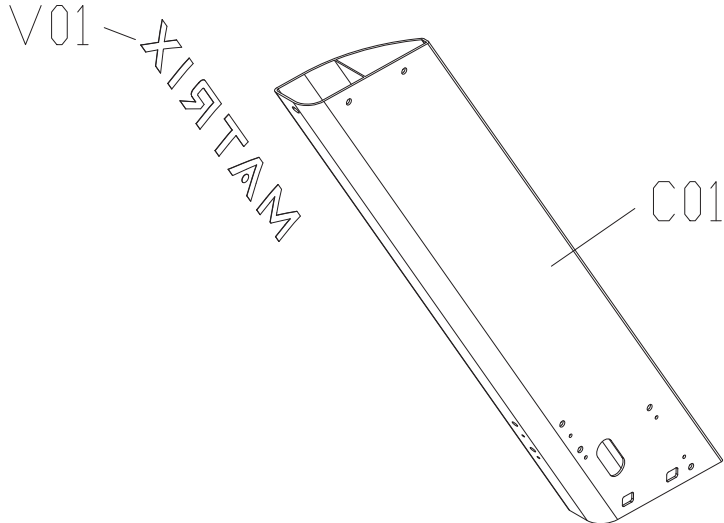
Top View of Electrical Components



Detail View of Electrical Components

| | | | |
|------------|--|------|----------|
| DRAWING NO | TM501-AC1 | | |
| PART NAME | PAINTING;CONSOLE MAST;L | | |
| PART NO | See attached ^R / _E | | |
| APPROVE | Jimmy | DATE | 20150804 |

- NOTES:
- 1.The surface treatment: Painting
 - 2.Painting quality should be in accordance with JHT Standard TT-WI-QC-039.
 - 3.All the screw holes / bearing holes and specified point in drawing should be covered during painting.
 - 4.Painting color as BOM.
 - 5.Comply with the specification of REACH and RoHS.

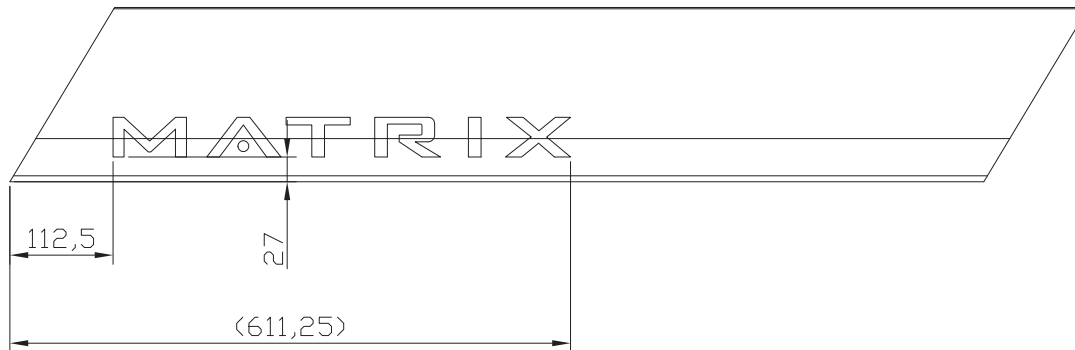
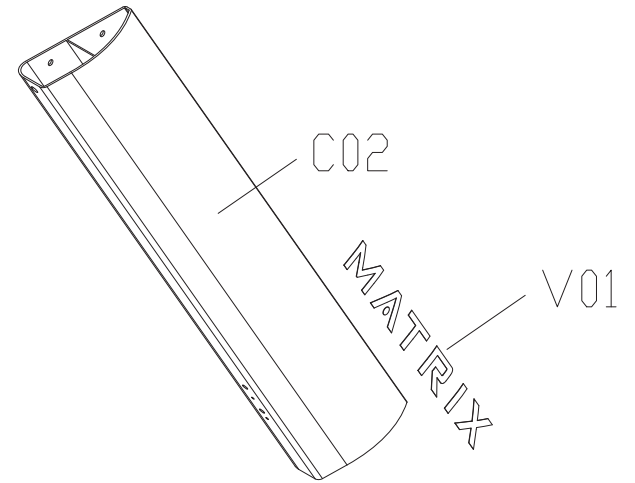


| SAP No. | Description |
|------------|-------------|
| 0000084530 | SLIVER |
| 1000337919 | PURPLE |
| 1000338077 | BLACK MATTE |
| 1000346481 | SUN ORANGE |


| | | | |
|------------|--|------|----------|
| DRAWING NO | TM501-AC2 | | |
| PART NAME | PAINTING;CONSOLE MAST;R | | |
| PART NO | See attached  | | |
| APPROVE | Jimmy | DATE | 20150804 |

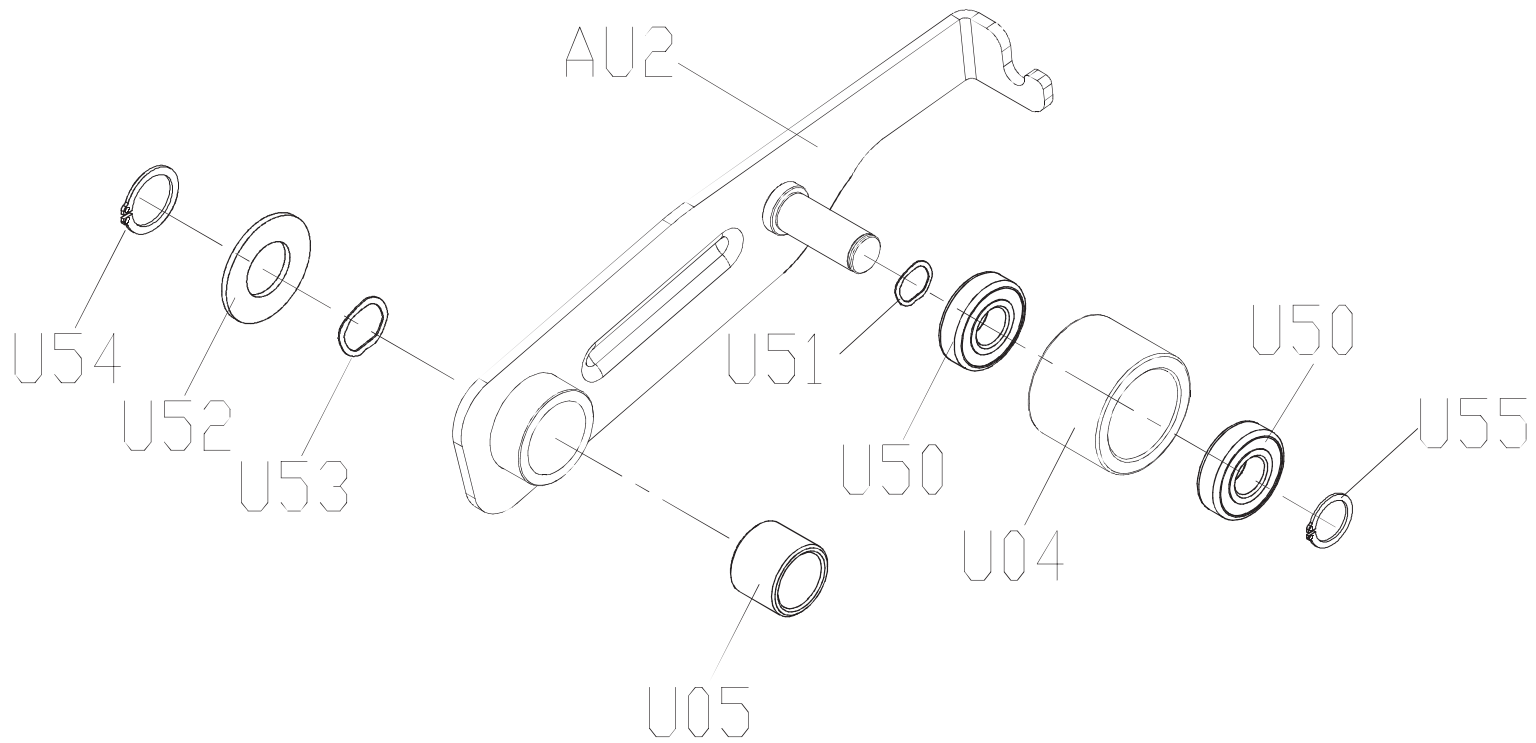
NOTES:

- 1.The surface treatment: Painting
- 2.Painting quality should be in accordance with JHT Standard TT-WI-QC-039.
- 3.All the screw holes / bearing holes and specified point in drawing should be covered during painting.
- 4.Painting color as BOM.
- 5.Comply with the specification of REACH and RoHS.:

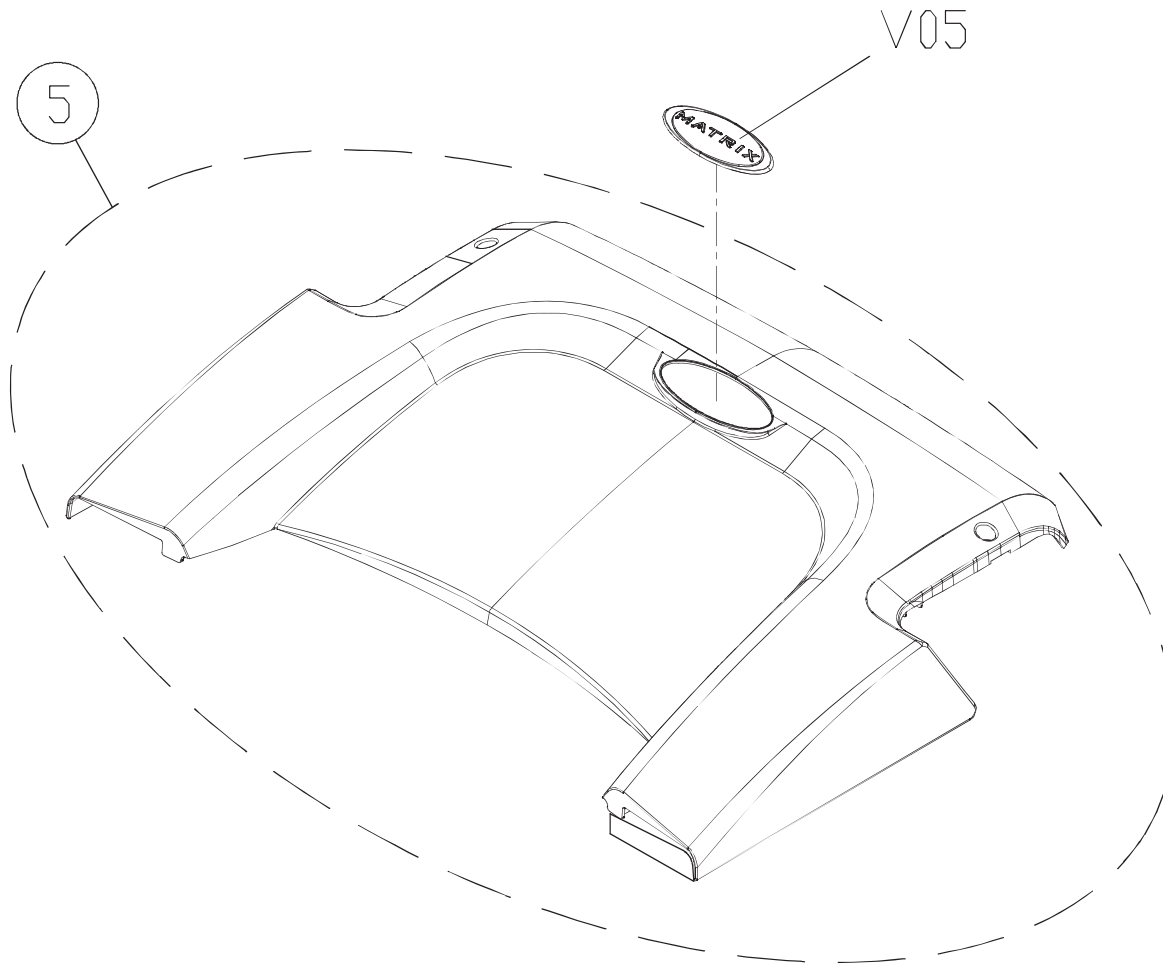


| SAP No. | Description |
|------------|-------------|
| 0000084540 | SLIVER |
| 1000337930 | PURPLE |
| 1000338080 | BLACK MATTE |
| 1000346484 | SUN ORANGE |

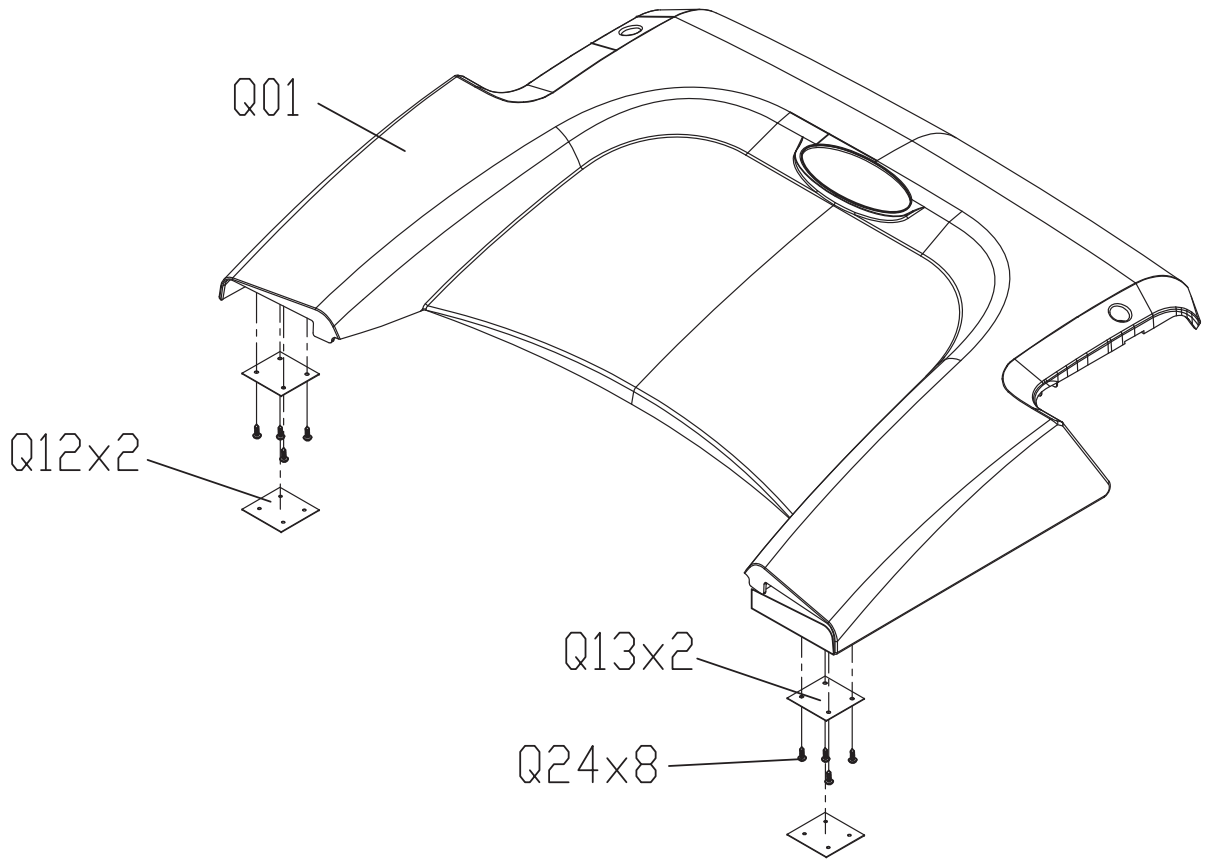
| | | | |
|------------|--|------|--------|
| DRAWING NO | TM501-AU11 | | |
| PART NAME | TENSION WHEEL SET | | |
| PART NO | 0000088969  B | | |
| APPROVE | SHUYI | DATE | 122413 |



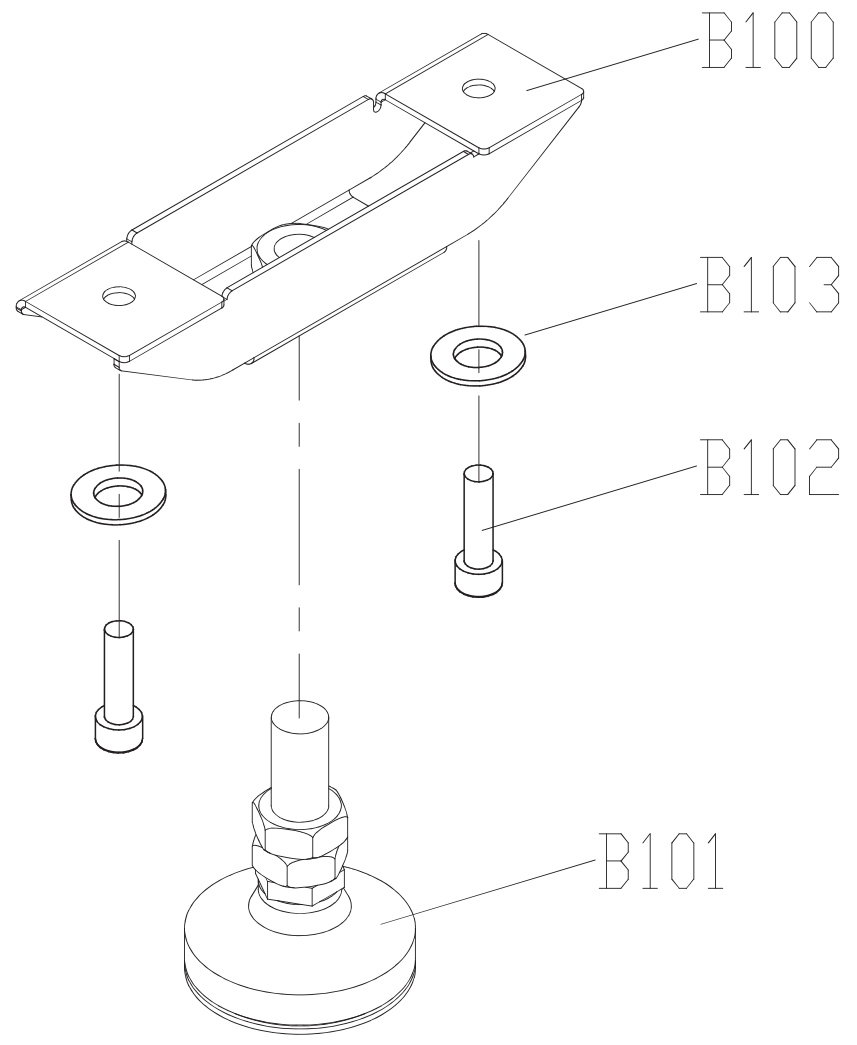
| | | | |
|------------|----------------------------|------|--------|
| DRAWING NO | TM501-AQ10 | | |
| PART NAME | Motor Cover Net;With Label | | |
| PART NO | 0000088973REV B | | |
| APPROVE | SHUYI | DATE | 122413 |



| | | | |
|------------|-----------------|------|--------|
| DRAWING NO | TM501-AQ11 | | |
| PART NAME | Motor Cover Set | | |
| PART NO | 0000088989 | | |
| APPROVE | SHUYI | DATE | 100411 |

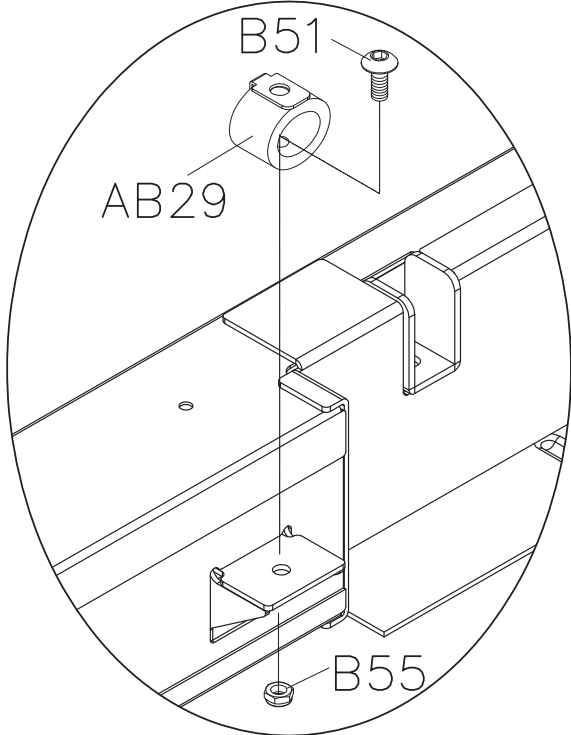
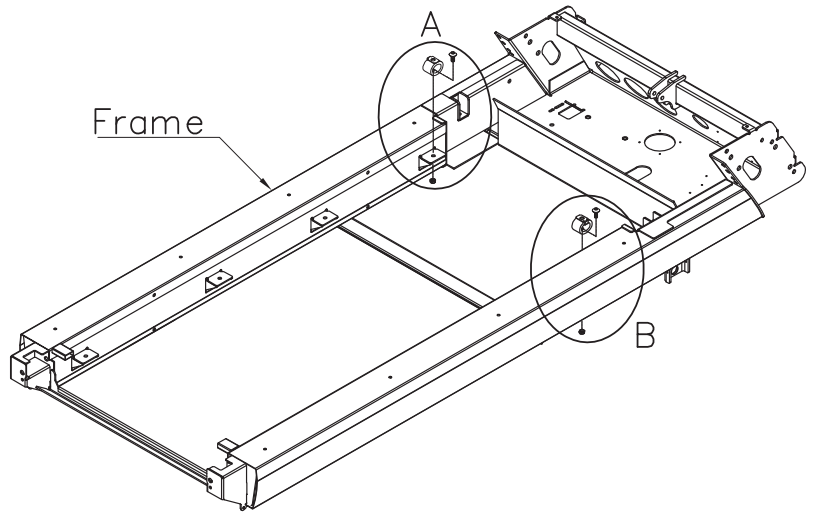


| | |
|---------------------------|--------------------------|
| DRAWING NO 圖號 | TM501-AB25 |
| PART NAME(CH) 零件名稱(中文) | 脚踏垫系具；後 |
| PART NAME(EN) 零件名稱(英文) | ADJUSTABLE REAR FOOT SET |
| SAP PART NO SAP料號 | 0000088993 A |

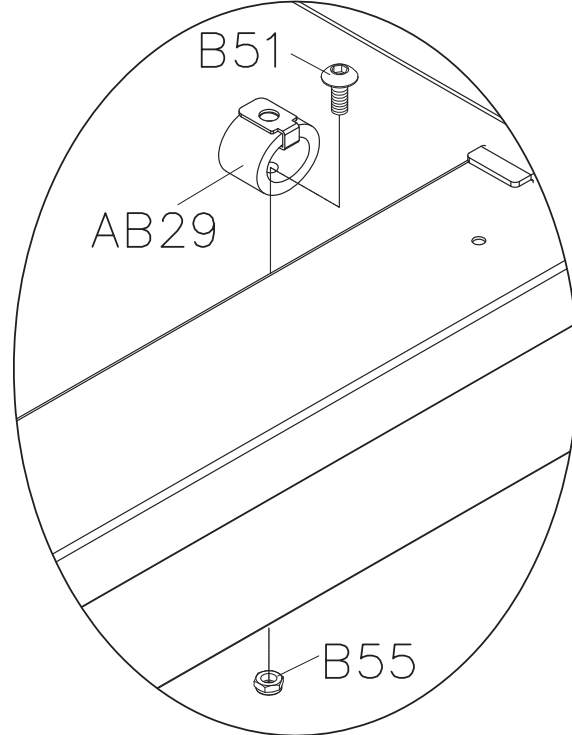


| | | | |
|------------|----------------------------------|------|--------|
| DRAWING NO | TM501-AB21 | | |
| PART NAME | Elastomer Set;Running Deck;Front | | |
| PART NO | As Attachment | | |
| APPROVE | S.T.C | DATE | 060512 |

| Part No. | Description |
|------------|-------------|
| 0000089487 | Nai Ri |
| 1000233263 | Miner |



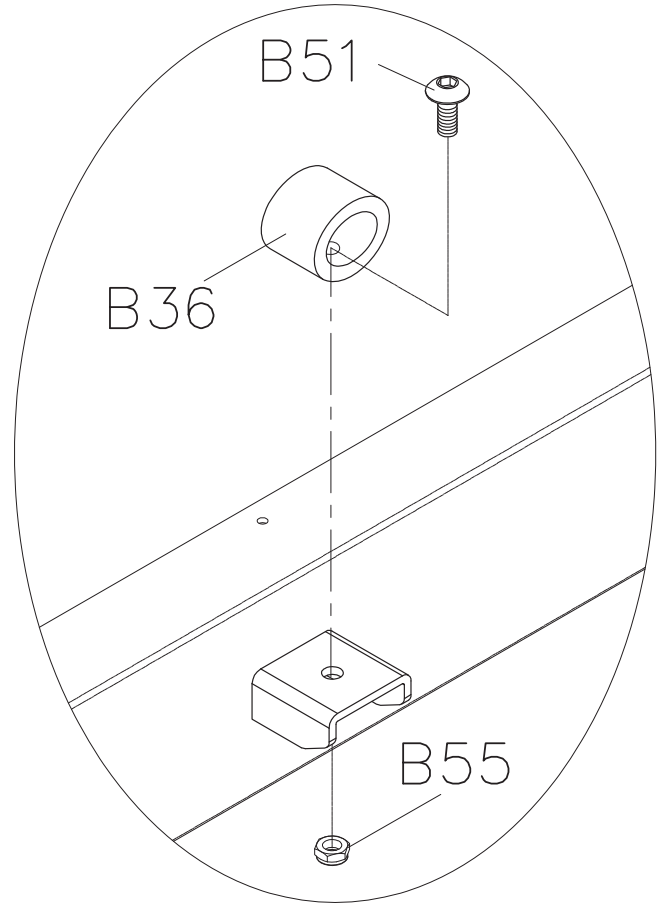
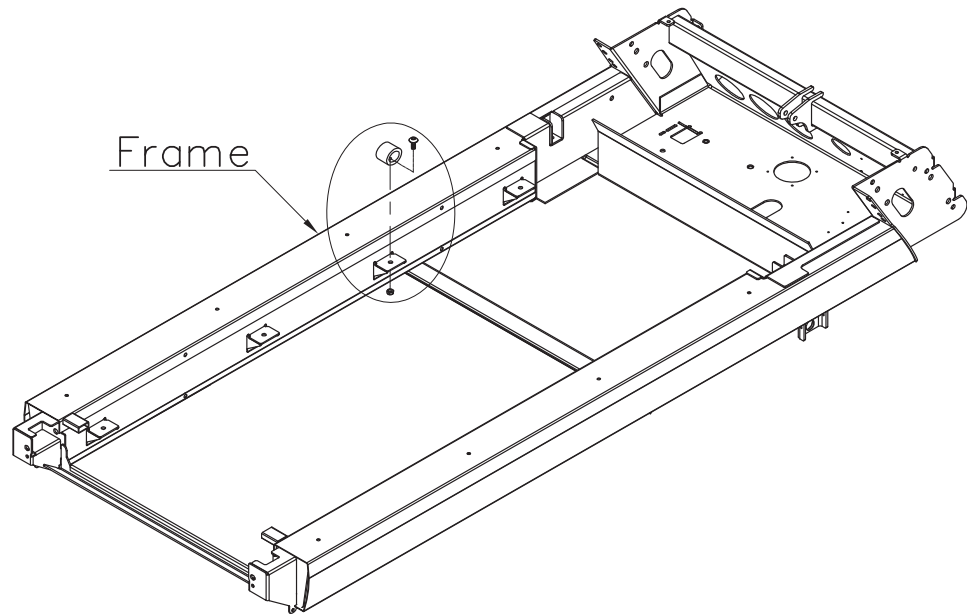
A 詳圖(1:5)



B 詳圖(1:5)

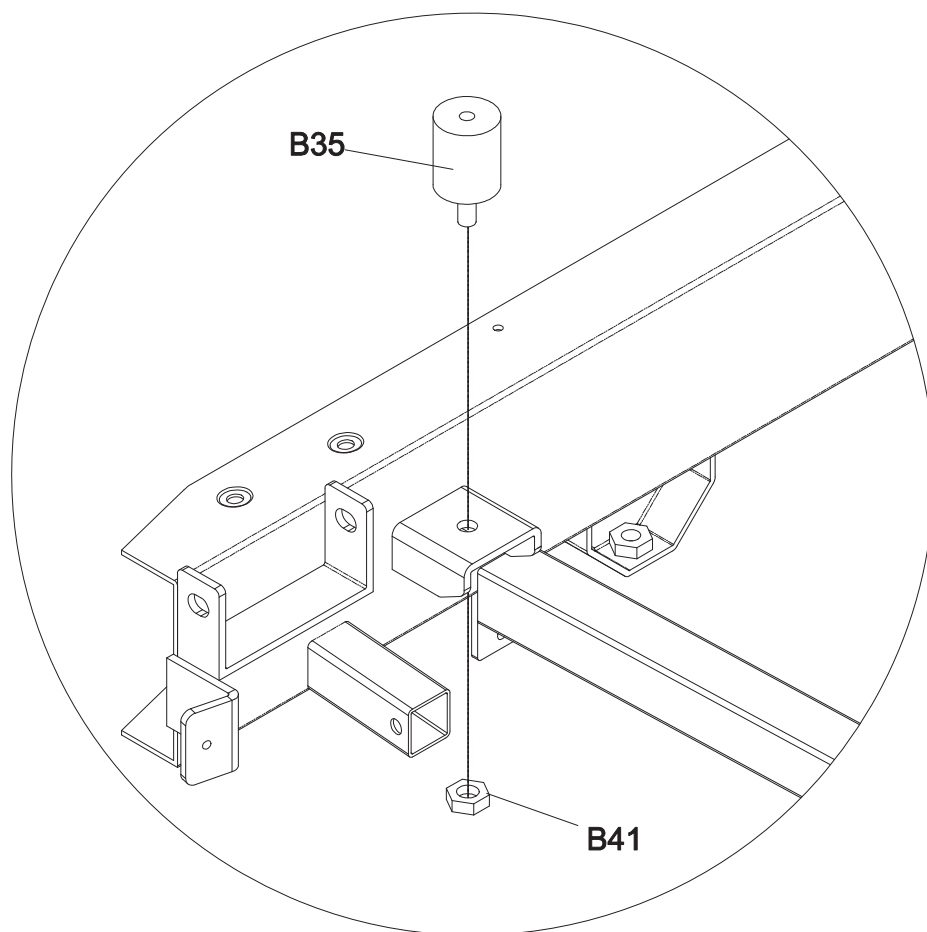
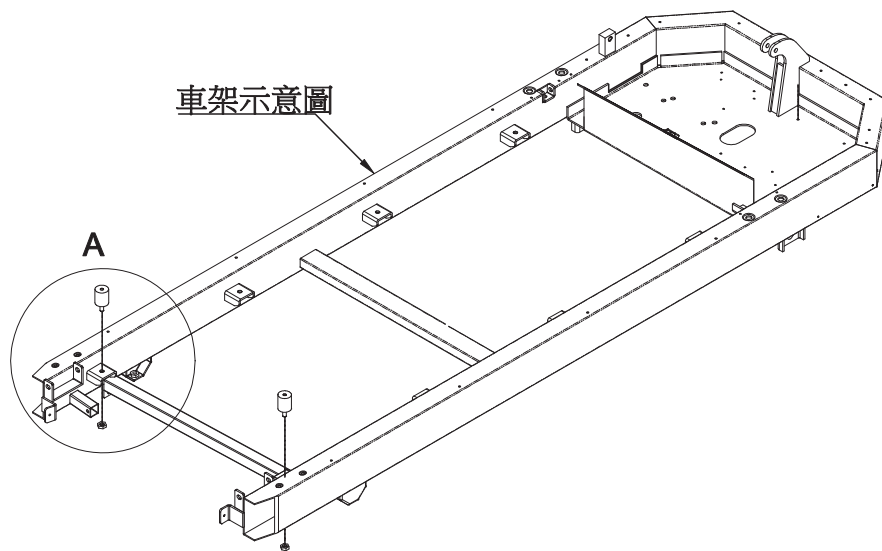
| | | |
|------------|-----------------------------------|-------------|
| DRAWING NO | TM501-AB22 | |
| PART NAME | Elastomer Set;Running Deck;Middle | |
| PART NO | As Attachment B | |
| APPROVE | S.T.C | DATE 060512 |

| Part No. | Description |
|------------|-------------|
| 0000089488 | Nai Ri |
| 1000233264 | Miner |



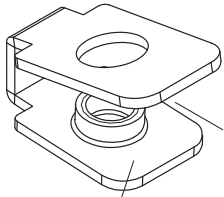
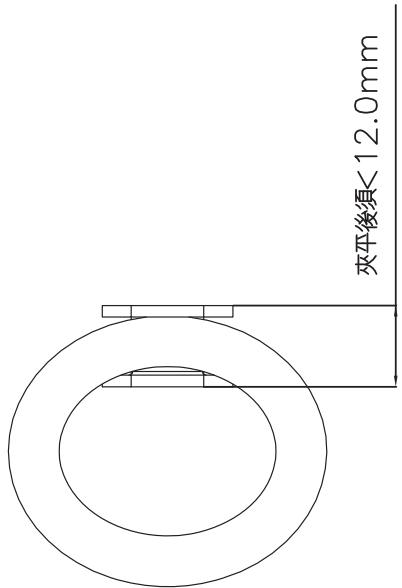
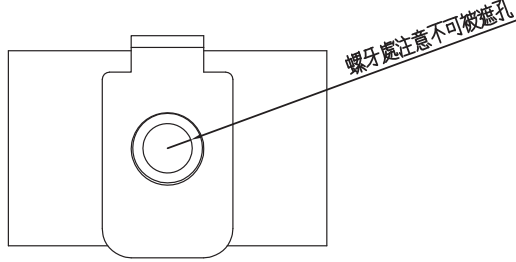
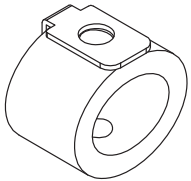
A(1:5)

| | |
|------------|--|
| DRAWING NO | TM507-AB22 |
| PART NAME | Elastomer Set |
| PART No. | 0000091092 |
| APPROVE | Longyb REV A |

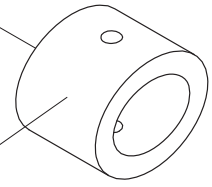


A詳圖(1:5)

| | | | |
|------------|----------------------|------|--------|
| DRAWING NO | TM501-AB29 | | |
| PART NAME | Elastomer Set; Miner | | |
| PART NO | As Attachment | 圖號 | C |
| APPROVE | S.T.C | DATE | 092110 |



B37

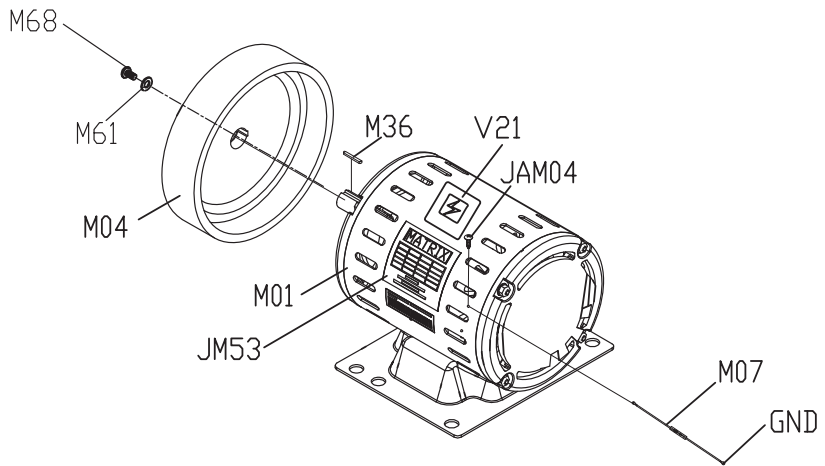


B36

| Part No. | Description |
|------------|-------------|
| 1000204015 | Miner |
| 0000095663 | Nai Ri |

| | | | |
|------------|------------|------|--------|
| DRAWING NO | TM501C-AM1 | | |
| PART NAME | Motor Set | | |
| PART NO | 1000204065 | REV | C |
| APPROVE | SUNNY | DATE | 113011 |

Notes :
 Deviation :under 0.4mm



| | | | |
|------------|---|------|--------|
| DRAWING NO | TM539-AP12 | | |
| PART NAME | Power Switch Set | | |
| PART NO | As Attachment ^B _{REV} | | |
| APPROVE | Nature | DATE | 060518 |

| Part NO | Description |
|------------|----------------------------------|
| 1000423498 | Power Switch Set;1US;T-130X-01-F |
| | |

