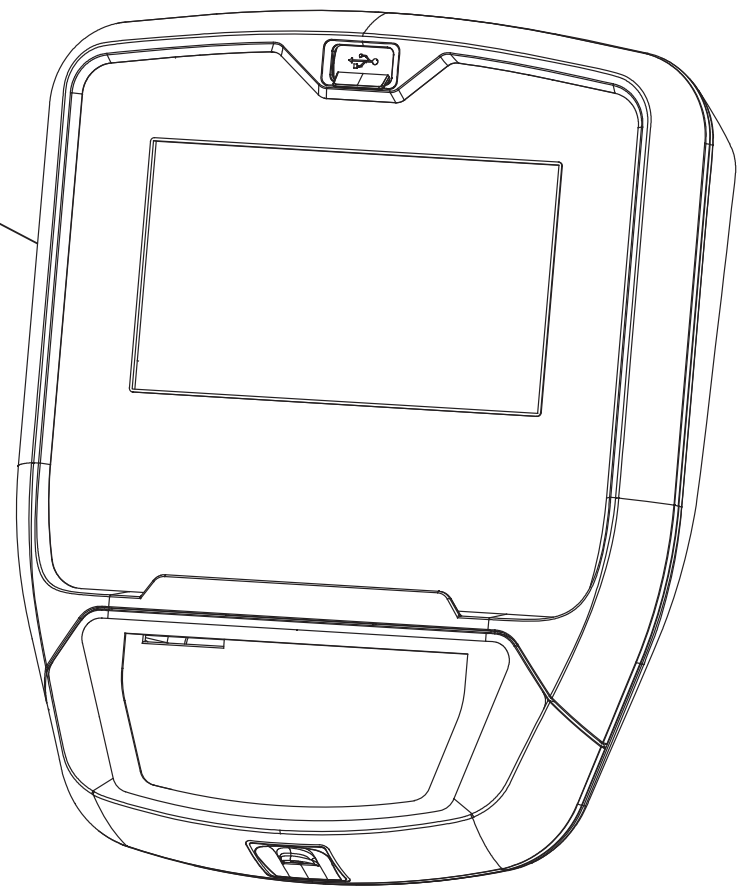


| | | | |
|------------|---------------|------|--------|
| DRAWING NO | EP625H-A04 | | |
| PART NAME | ASSEMBLY VIEW | | |
| PART NO | 1000438448 | REV | A |
| APPROVE | Sunny | DATE | 041219 |

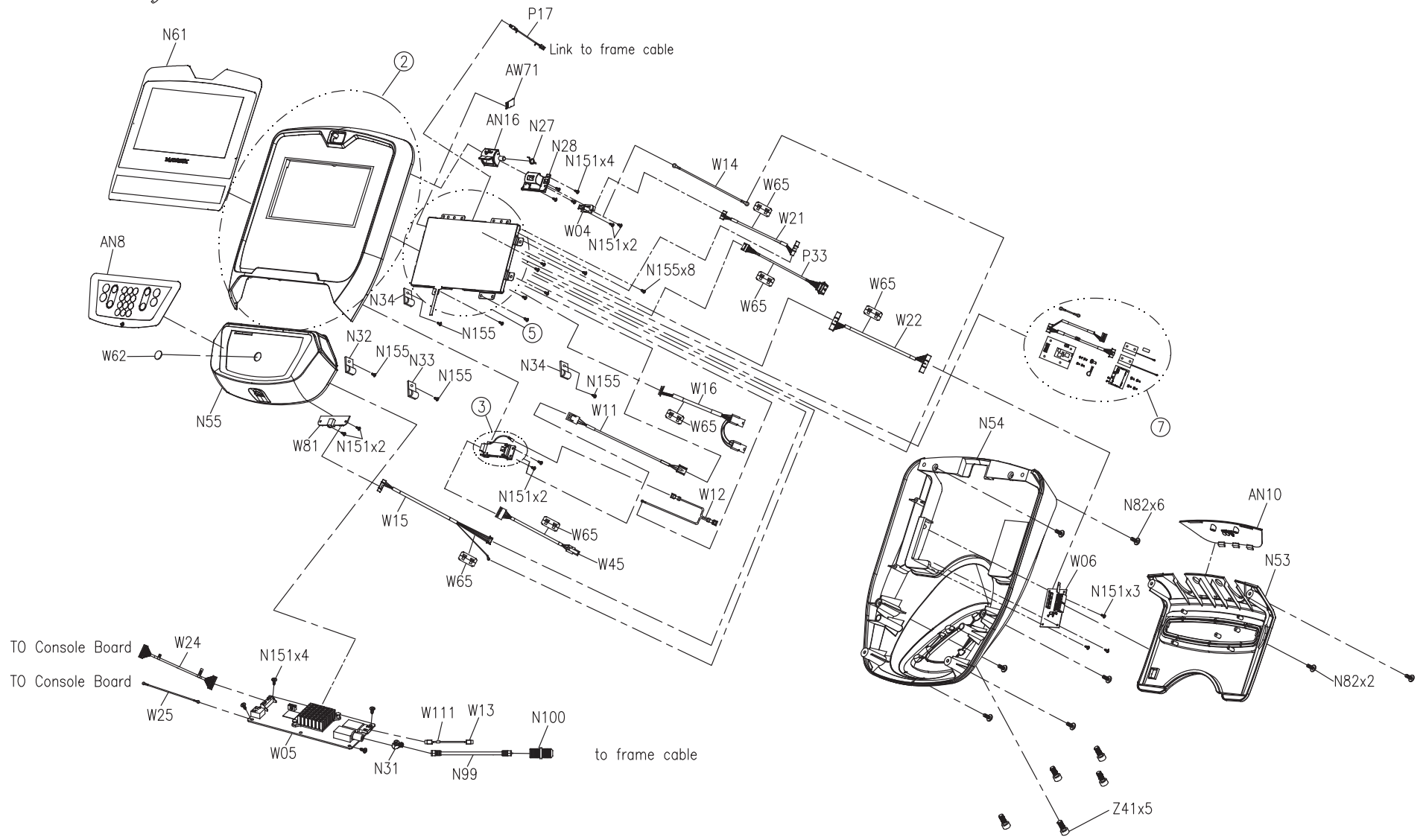
| |
|-------------|
| SAP PART NO |
| MEP1359-00 |

21

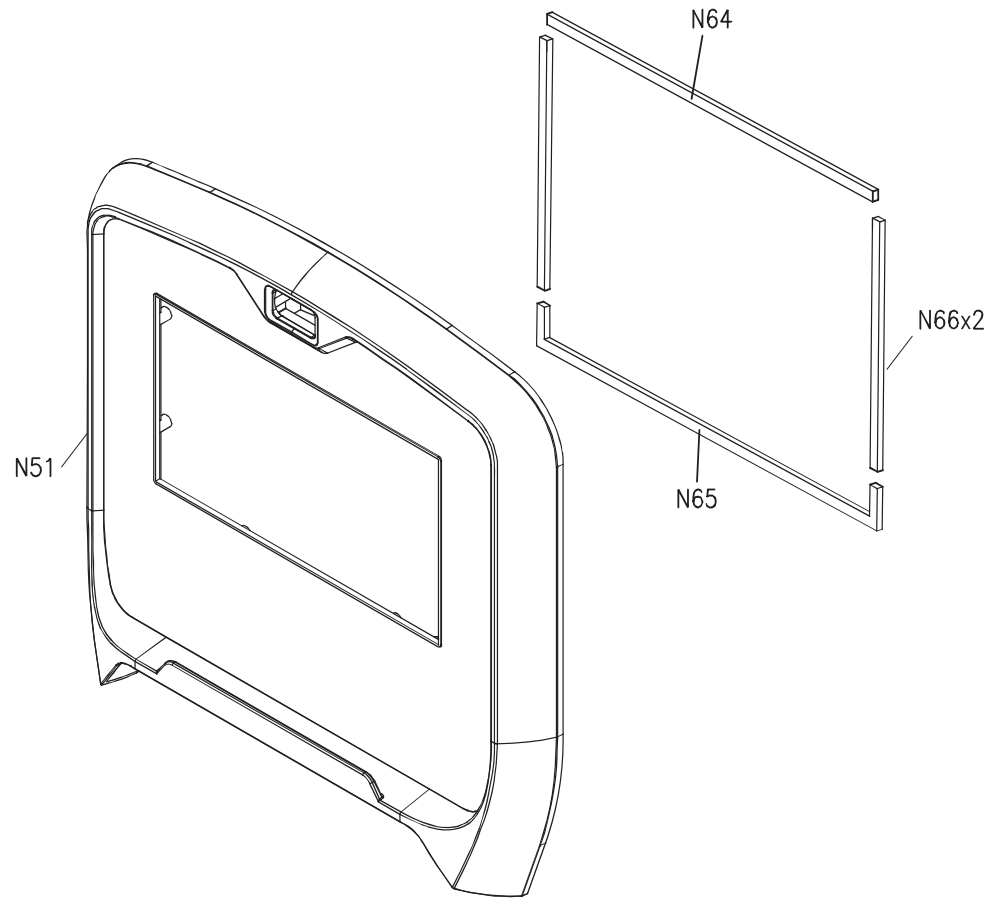


| | | | |
|------------|-------------------------------|------|--------|
| DRAWING NO | EP625H-AN62 | | |
| PART NAME | Console set; Assembly Drawing | | |
| PART NO | 1000438451 | REV | B |
| APPROVE | Sunny | DATE | 071819 |

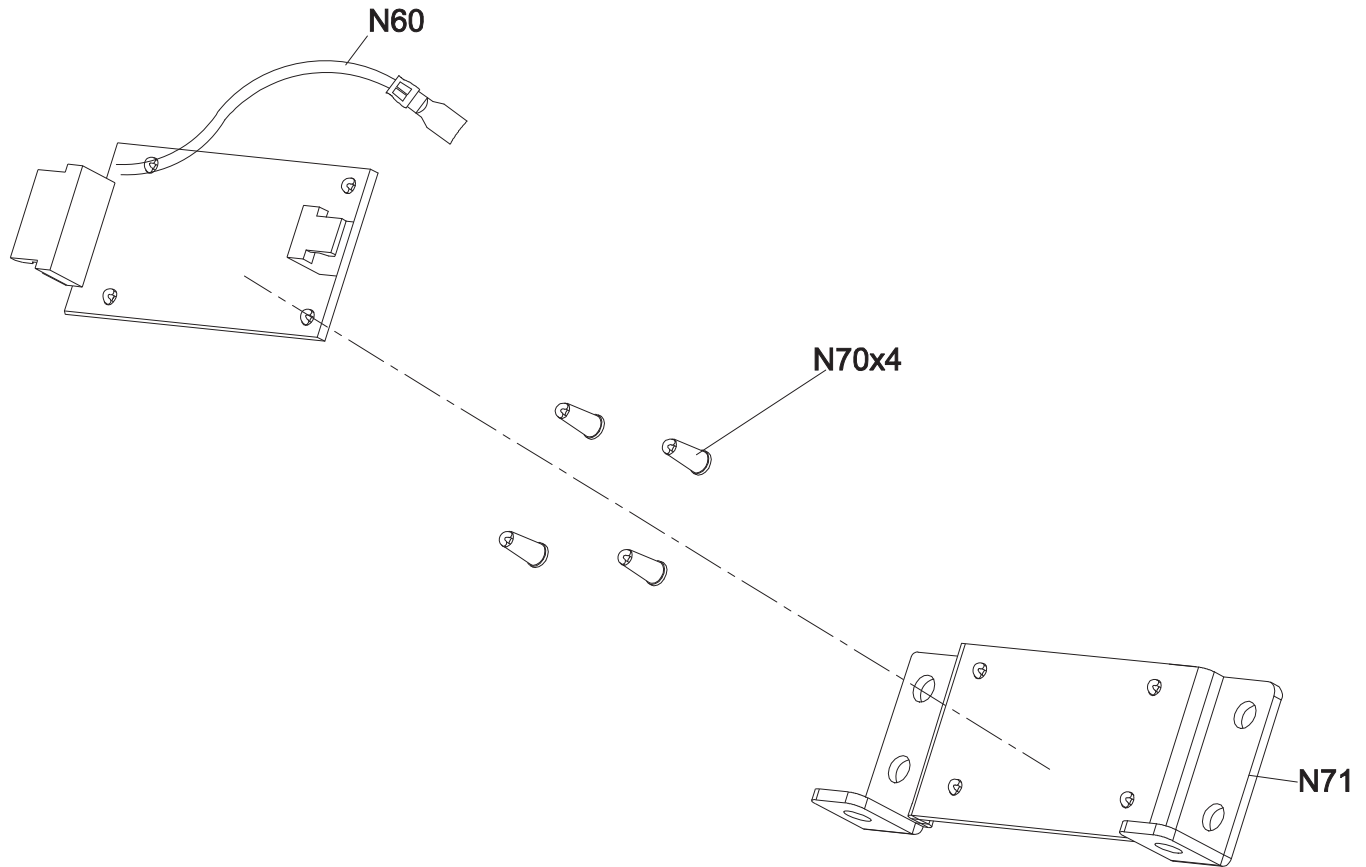
| | |
|------------|-----|
| 1000438450 | US5 |
|------------|-----|



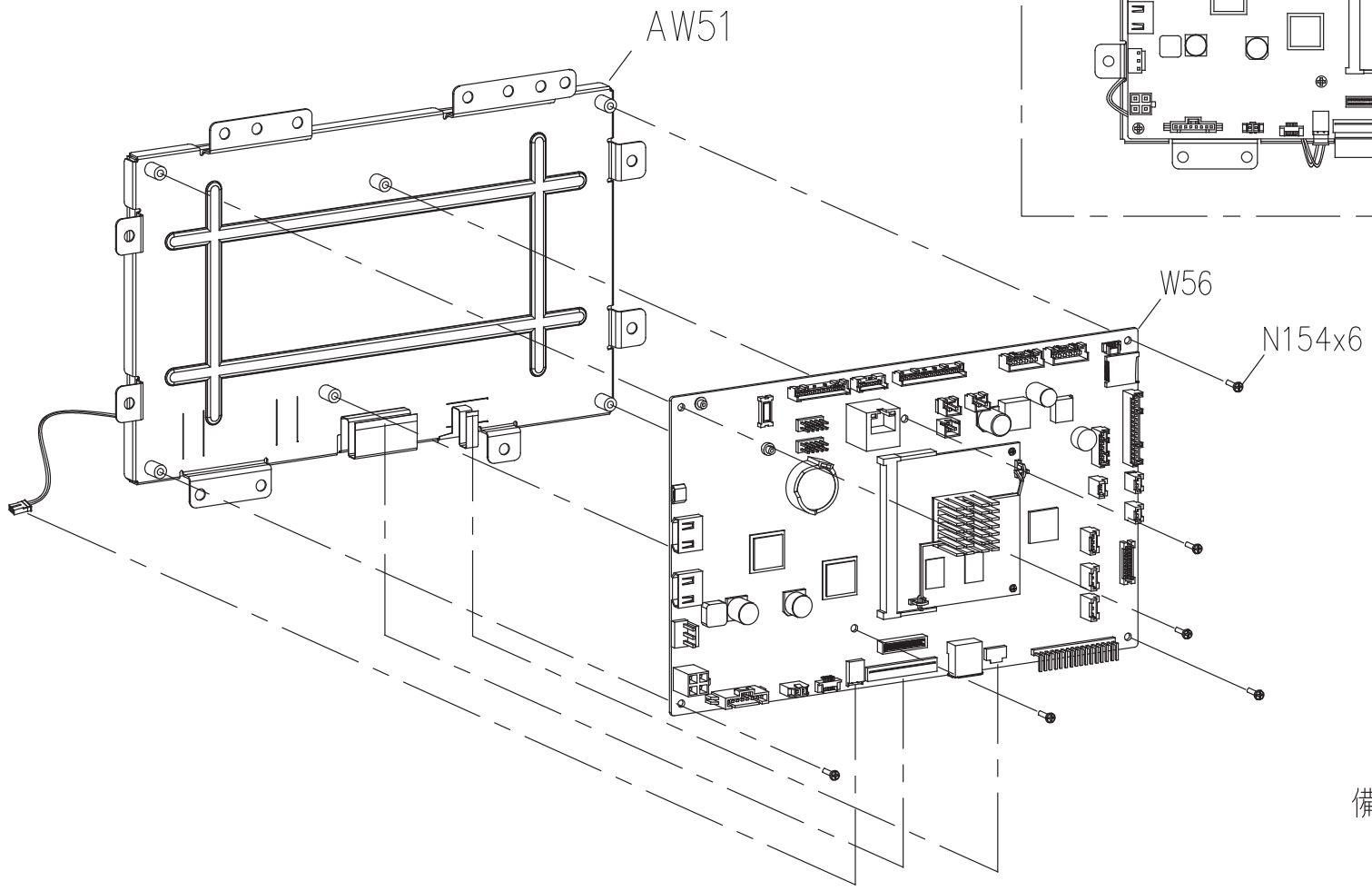
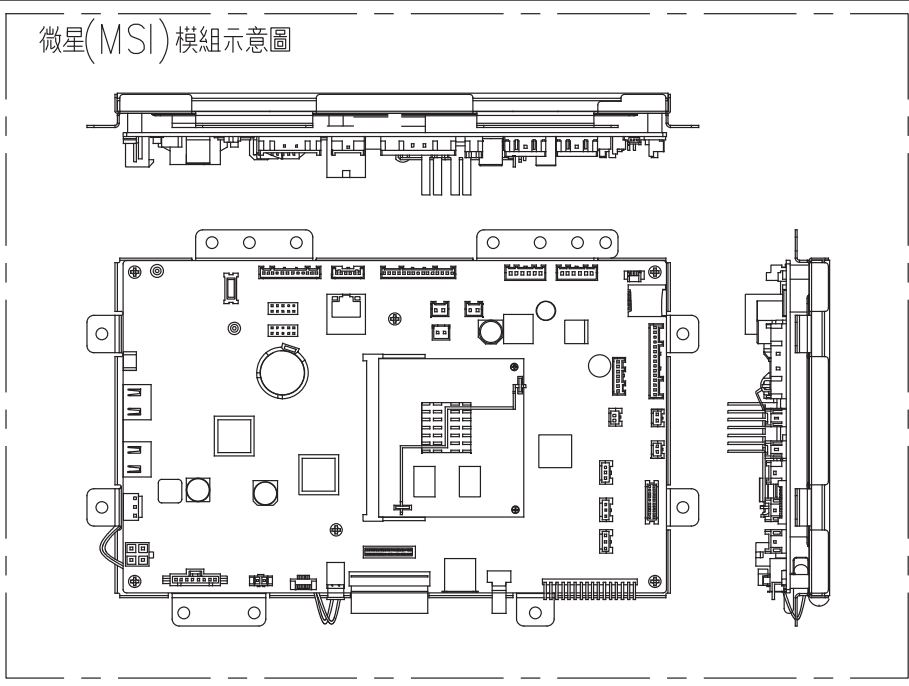
| | | | |
|------------|---------------------------------|------|--------|
| DRAWING NO | EP625-AW61 | | |
| PART NAME | Shield Set;Overlay | | |
| PART NO | 1000375451 <small>REV</small> A | | |
| APPROVE | Jimmy | DATE | 112015 |



| | | | |
|------------|-----------------|------|-----------|
| DRAWING NO | EP93C-AN51 | | |
| PART NAME | Heart Board Set | | |
| PART NO | 1000208535 | REV | A |
| APPROVE | Dragon Long | DATE | 2016.6.20 |

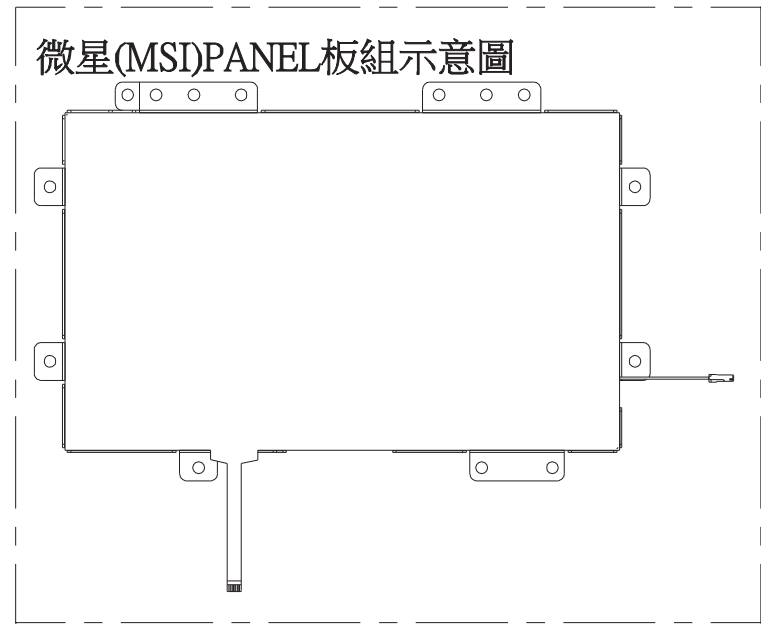
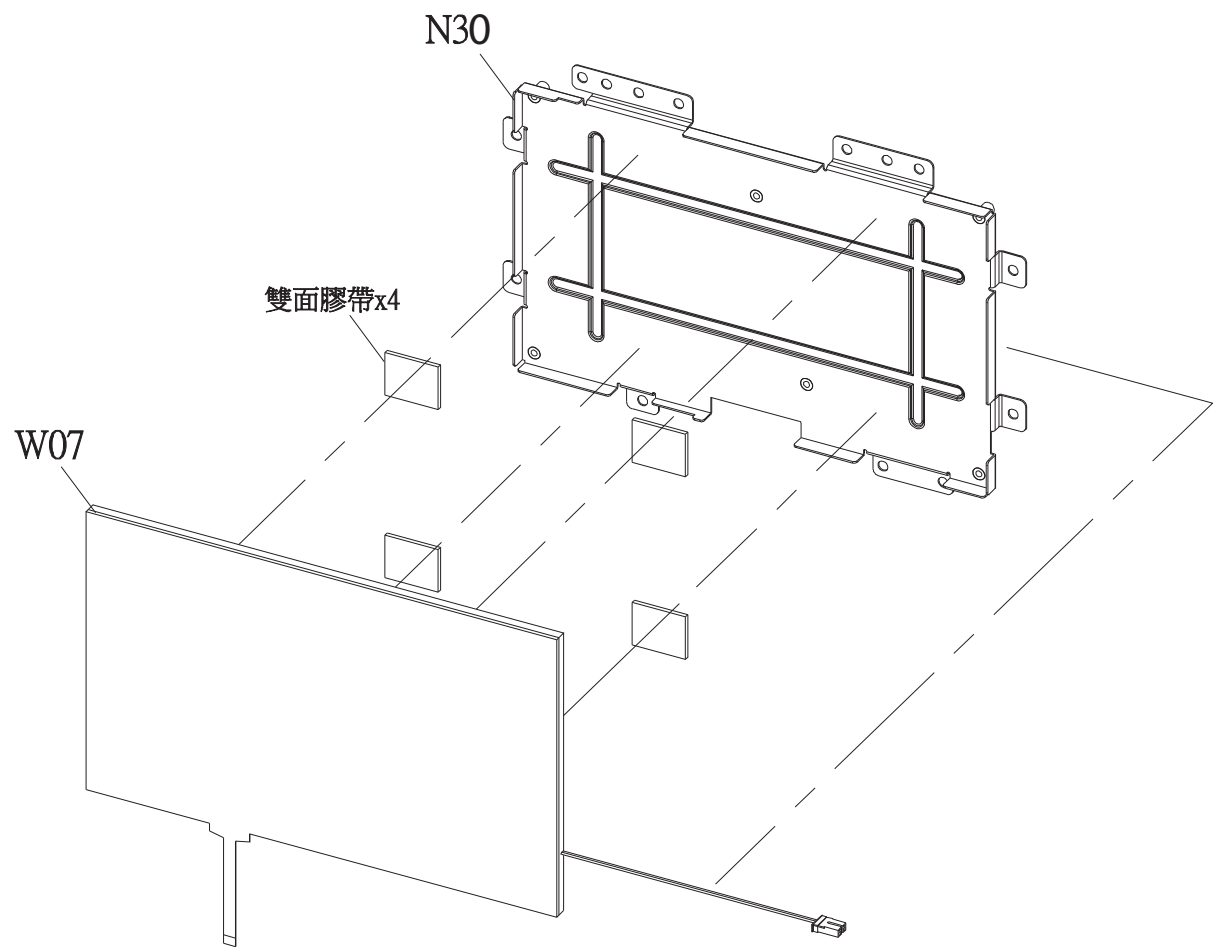


| | | | |
|------------|---------------------------------|------|--------|
| DRAWING NO | EP625-AW51 | | |
| PART NAME | Control Board Set | | |
| PART NO | 1000378952 <small>REV</small> N | | |
| APPROVE | tsaijw | DATE | 092519 |



備註: 1. 此物料為微星(MSI) 客供料
 2. 硬體版次、軟體版本請見SAP

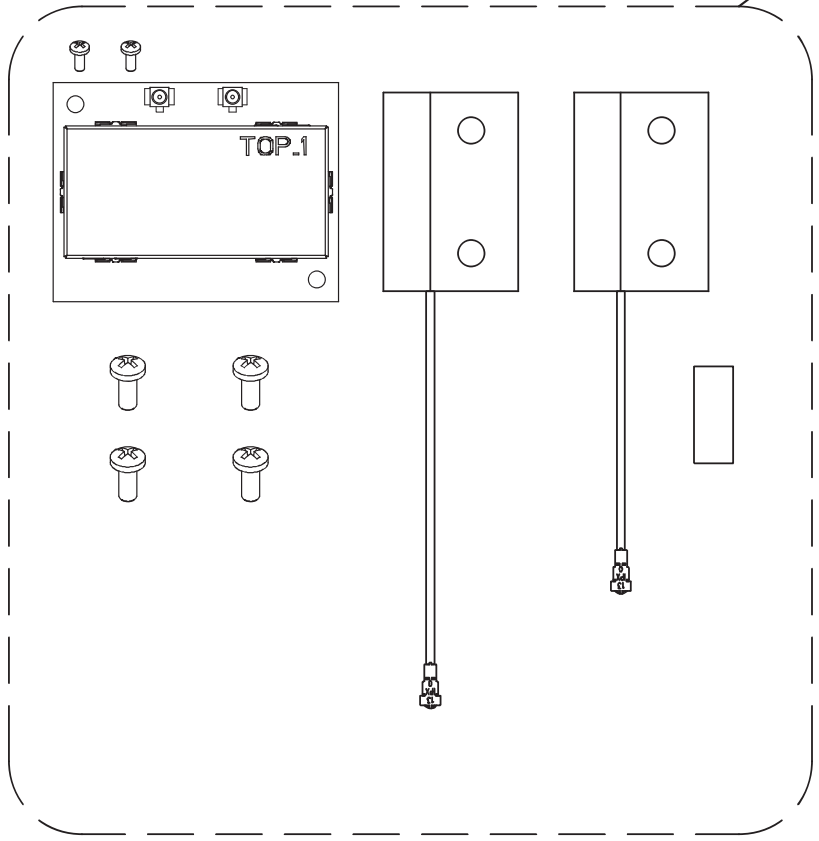
| | | | |
|------------|-----------------|------|----------|
| DRAWING NO | EP625-AW55 | | |
| PART NAME | Panel Board Set | | |
| PART NO | 1000378955 | REV | B |
| APPROVE | Gingo | DATE | 20161025 |



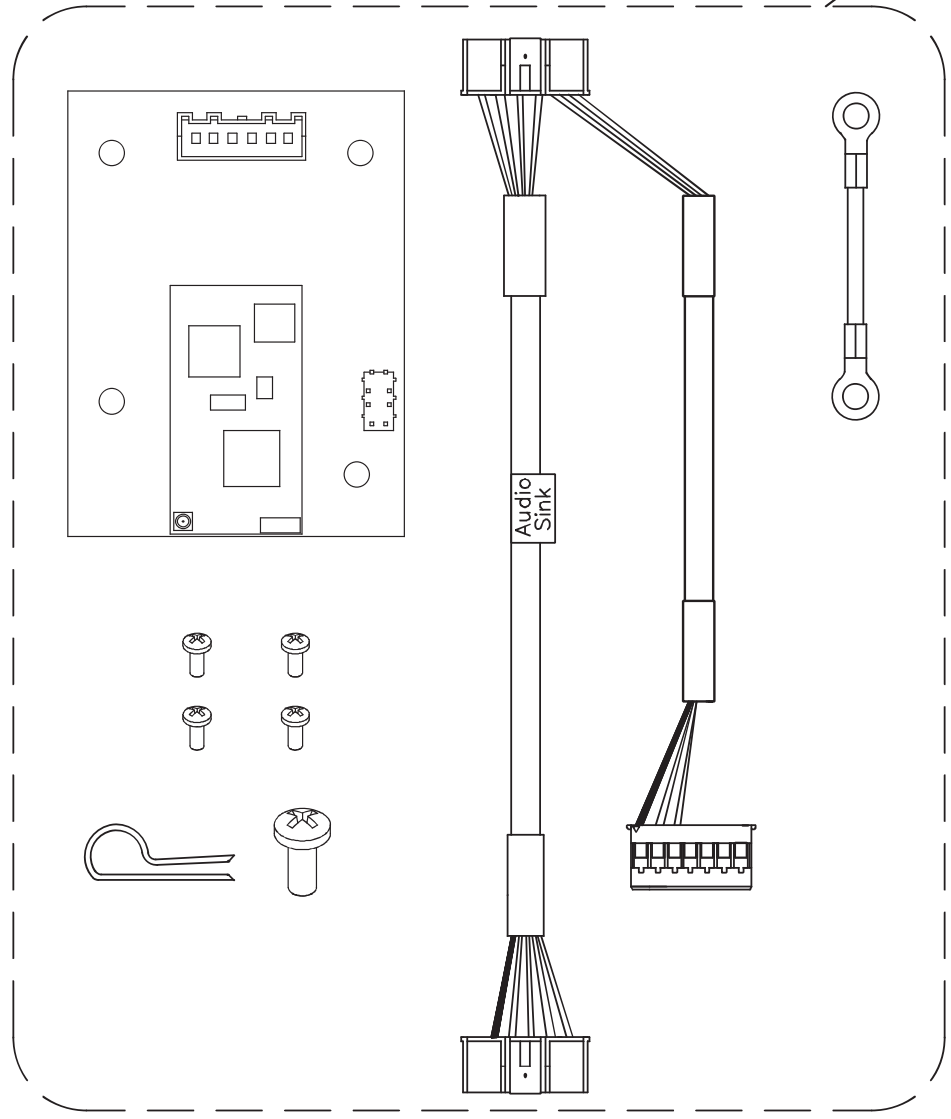
備註:1.此物料為微星(MSI)客供料
 2.硬體版次、軟體版本請見SAP

| | | | |
|------------|-------------------|------|----------|
| DRAWING NO | EP625-AW72 | | |
| PART NAME | Control Board Set | | |
| PART NO | 1000379208 | REV | A |
| APPROVE | Gingo | DATE | 20151123 |

6

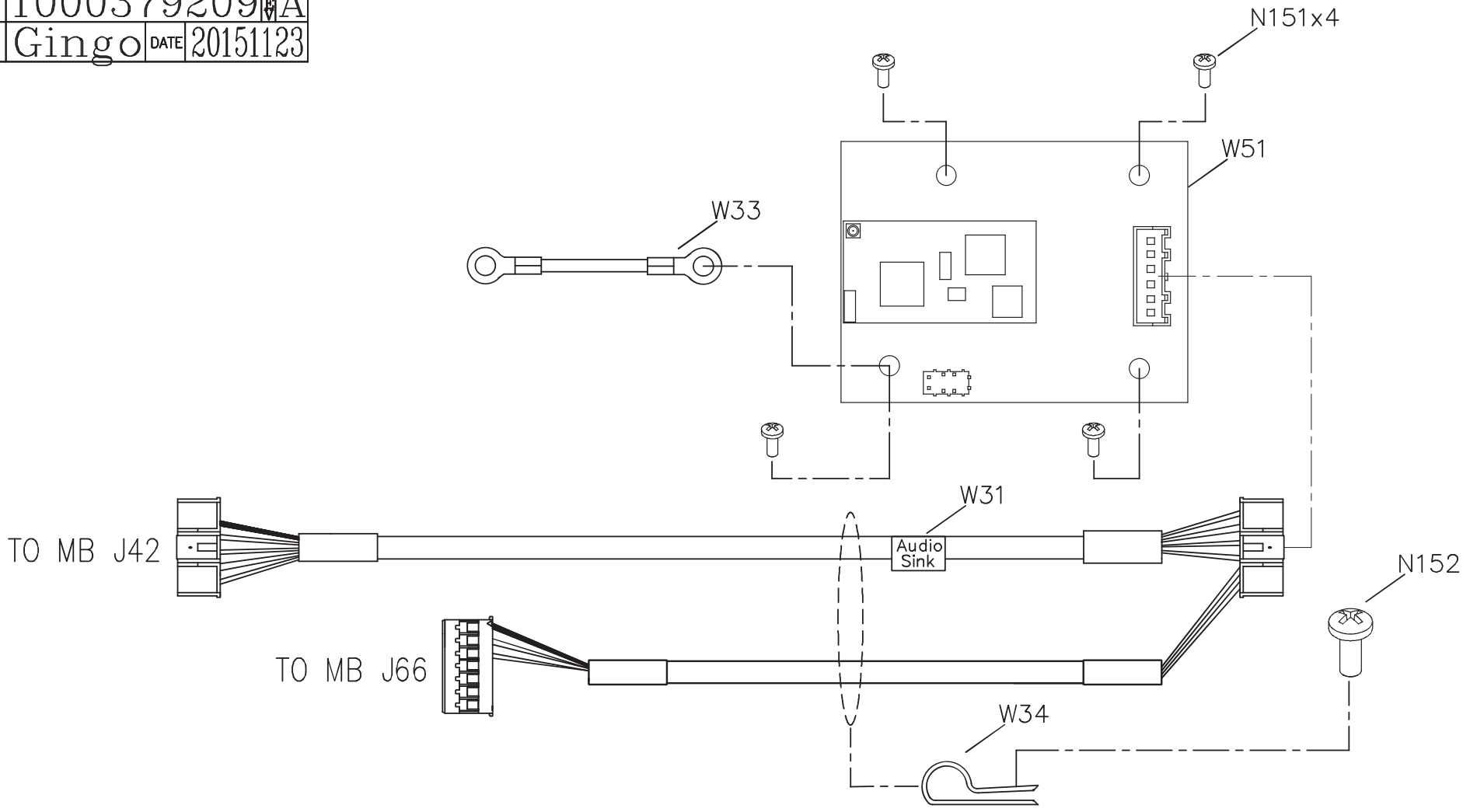


4



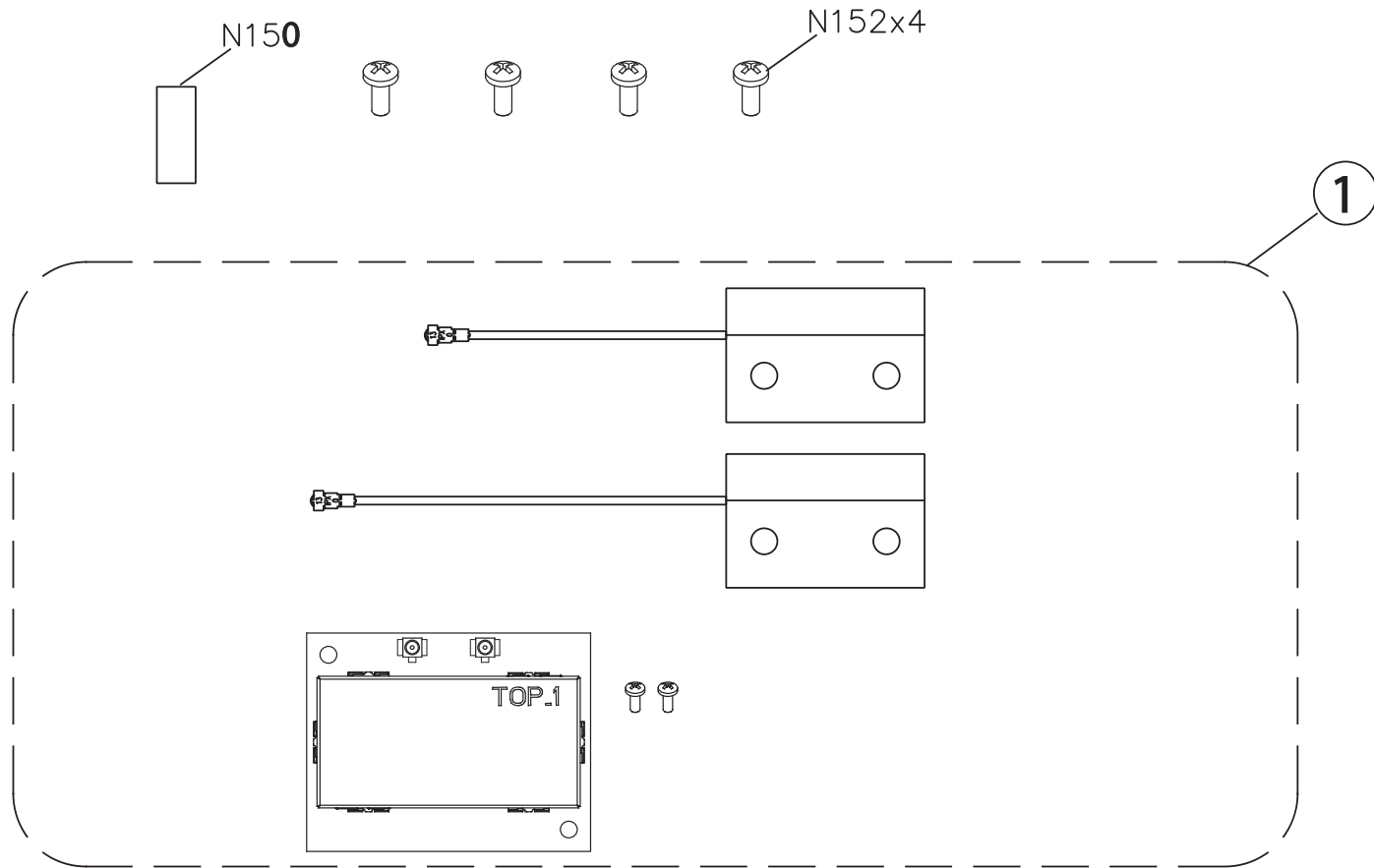
備註: 1. 硬體版次請見SAP

| | | | |
|------------|----------------------|------|----------|
| DRAWING NO | EP625-AW73 | | |
| PART NAME | Control Board Module | | |
| PART NO | 1000379209/A | | |
| APPROVE | Gingo | DATE | 20151123 |



備註: 1. 硬體版次請見SAP

| | | | |
|------------|---------------------------------|------|----------|
| DRAWING NO | EP625-AW74 | | |
| PART NAME | WIFI Wireness module Set | | |
| PART NO | 1000379211 <small>REV</small> B | | |
| APPROVE | Gingo | DATE | 20160219 |



備註: 1. 硬體版次請見SAP