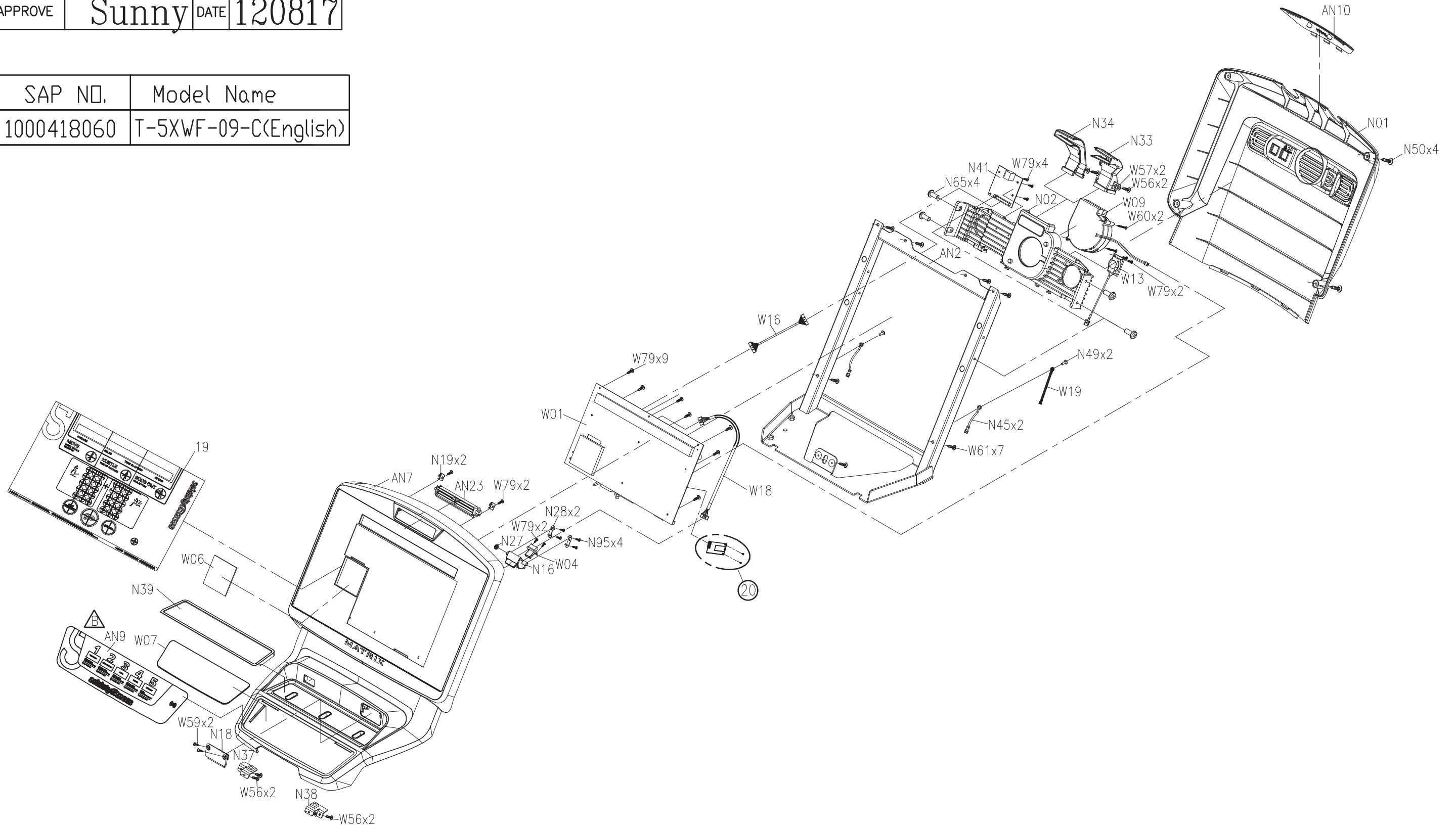


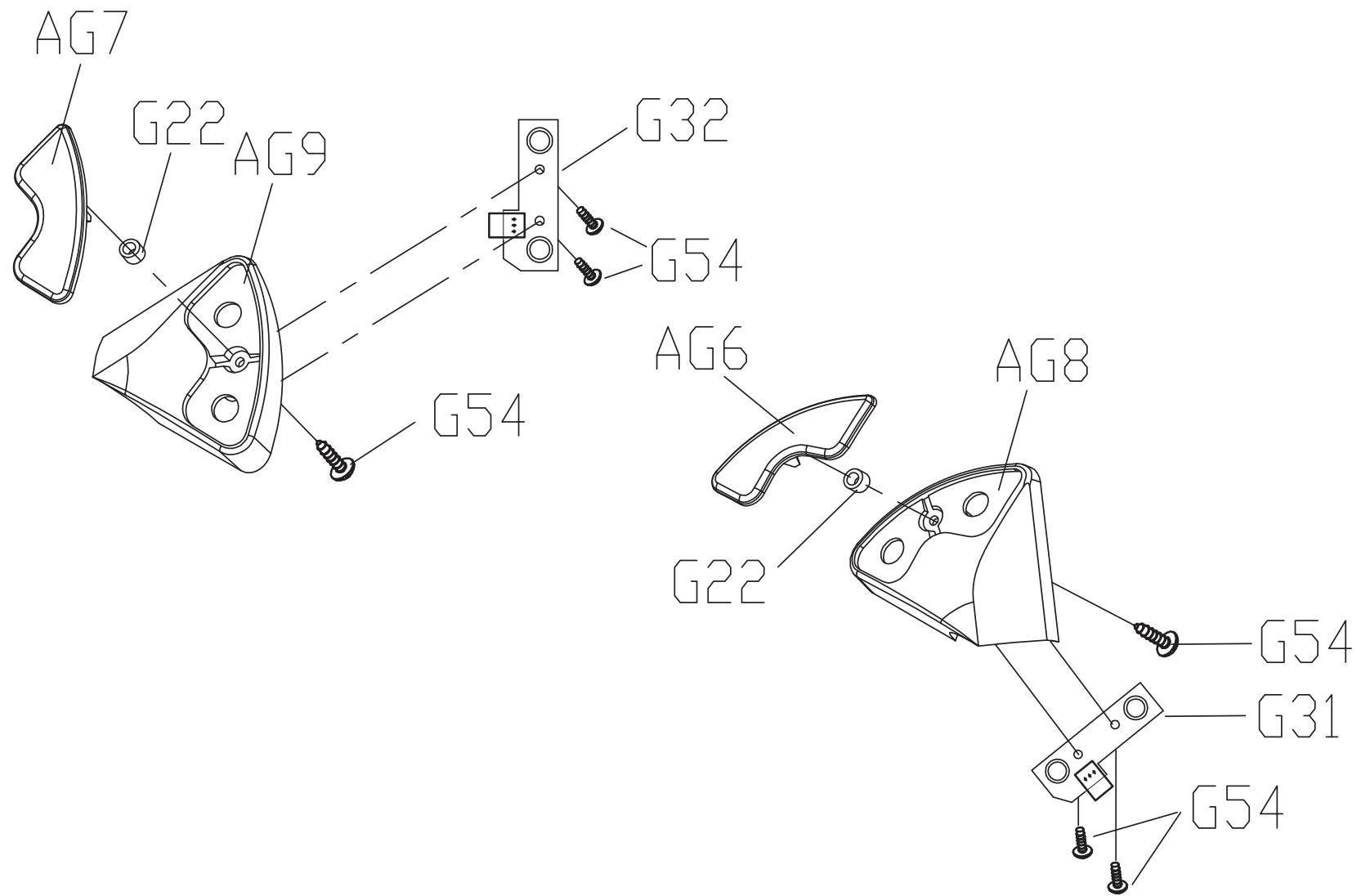


DRAWING NO	TM536-AN11		
PART NAME	Console Set		
PART NO	1000418061 <small>REV B</small>		
APPROVE	Sunny	DATE	120817

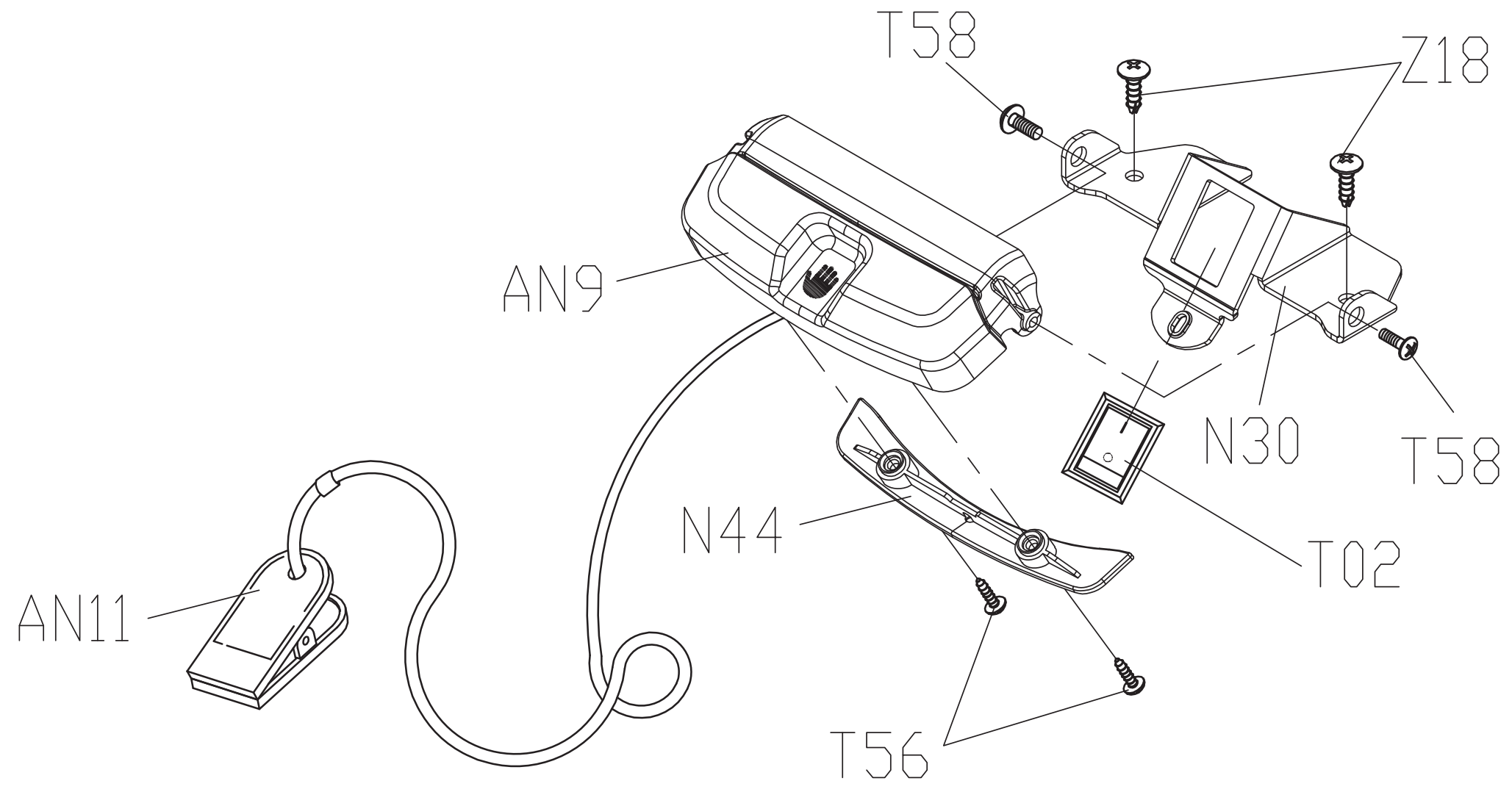
SAP NO.	Model Name
1000418060	T-5XWF-09-C(English)



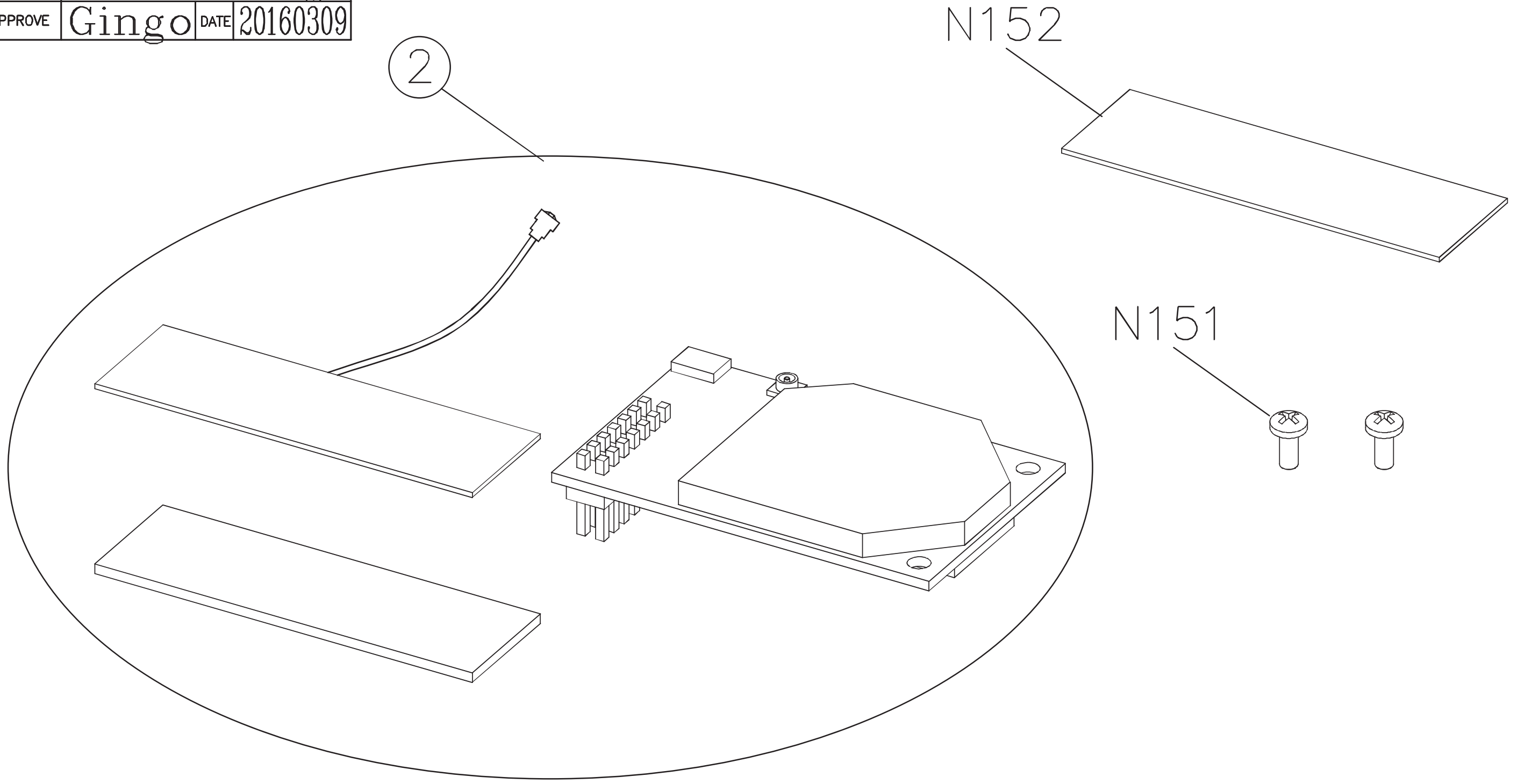
DRAWING NO	TM502-AG12		
PART NAME	Quick Key Set		
PART NO	0000089687 <sup>R</sup> <sub>REV</sub> B		
APPROVE	SHUYI	DATE	101211



DRAWING NO	TM501-AT6		
PART NAME	SAFETY KEY SET		
PART NO	1000233602 <small>REV</small> B		
APPROVE	S.T.C	DATE	083112

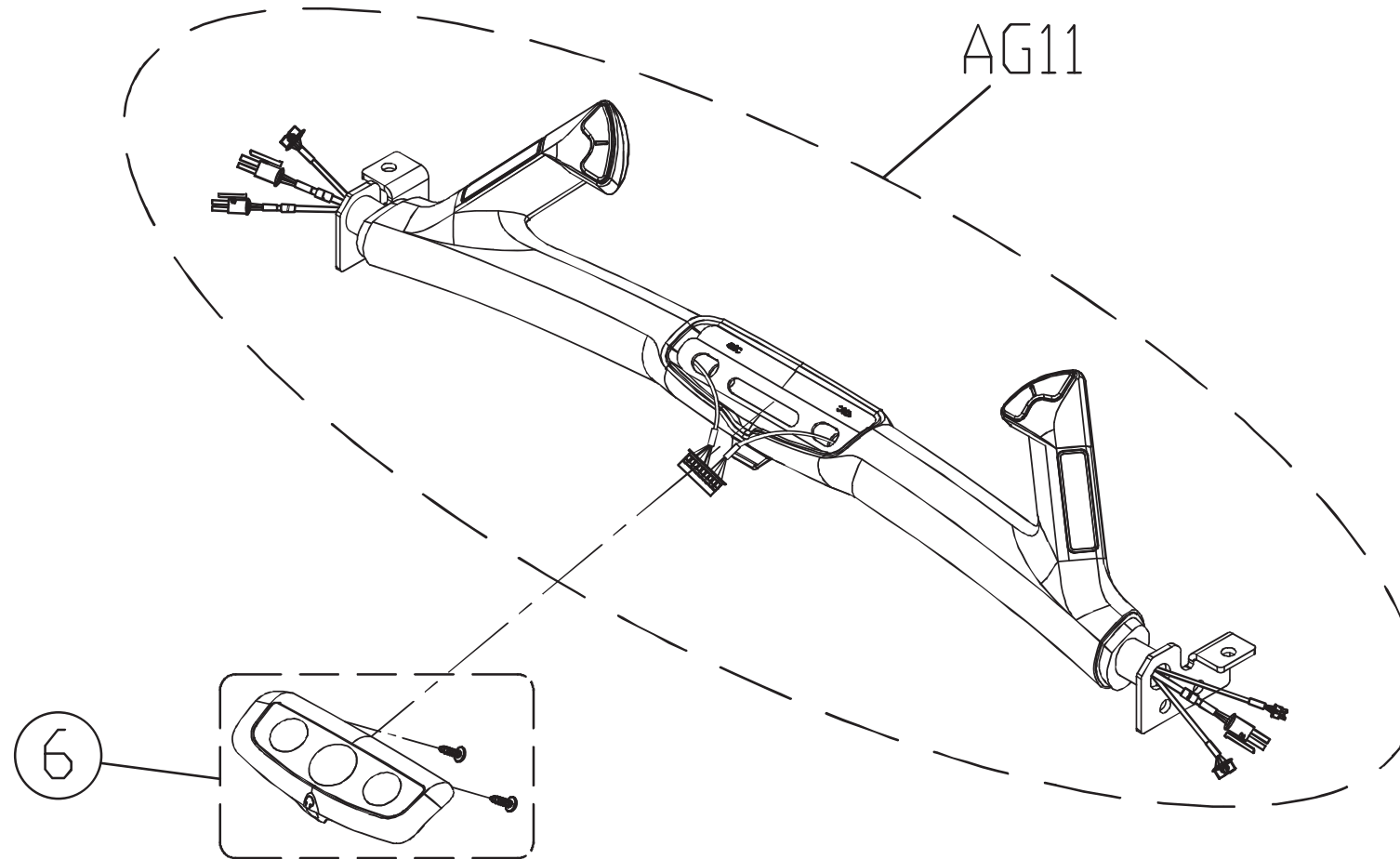


DRAWING NO	EP619B-AW31		
PART NAME	WIFI Wireless module Set		
PART NO	1000366472	REV	B
APPROVE	Gingo	DATE	20160309



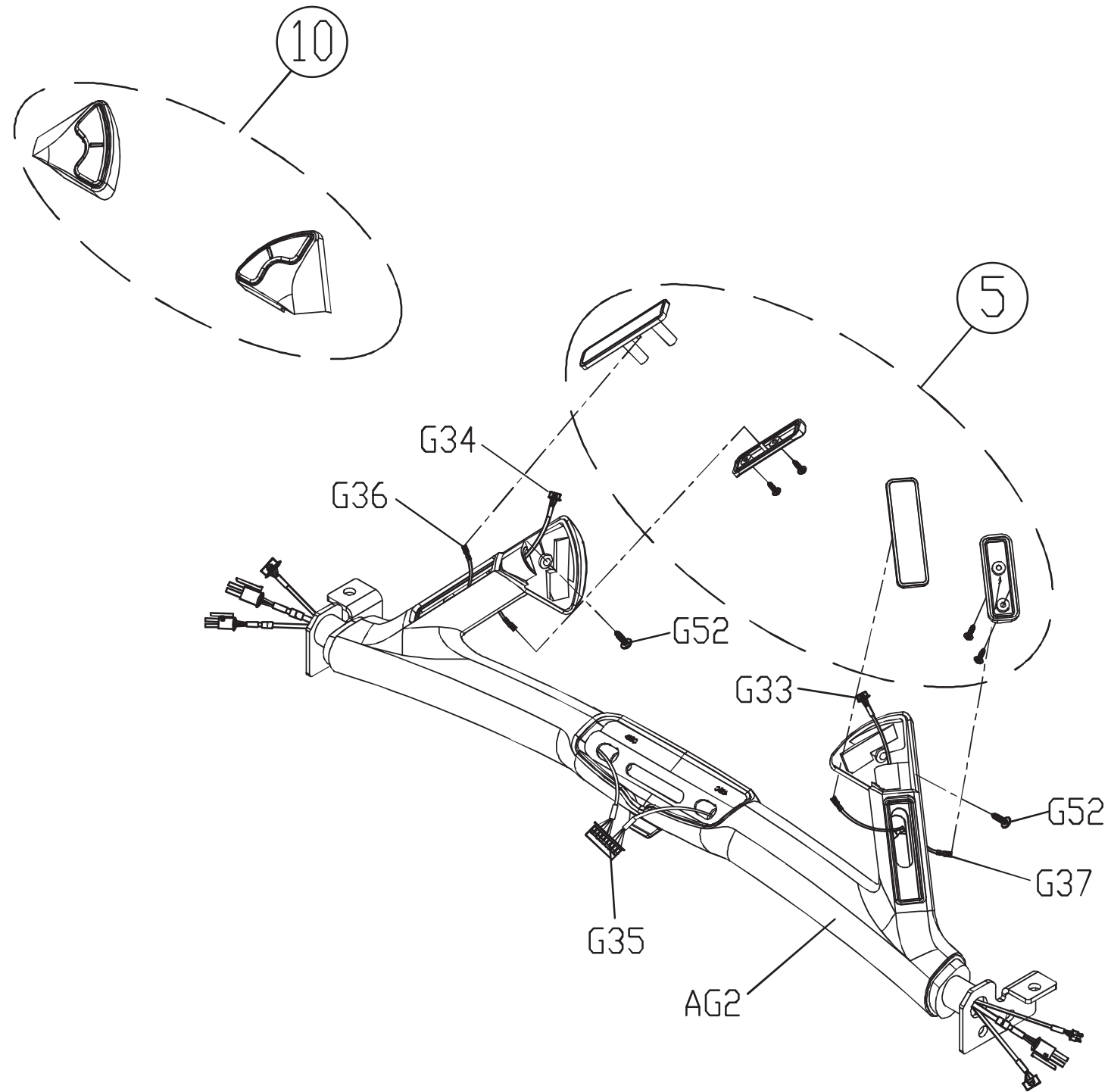
備註: 1. 軟體版次請見SAP

DRAWING NO	TM530-AG21		
PART NAME	Handlebar Set		
PART NO	As Attachment <sup>R</sup> <sub>V</sub> B		
APPROVE	ALLEN	DATE	102015

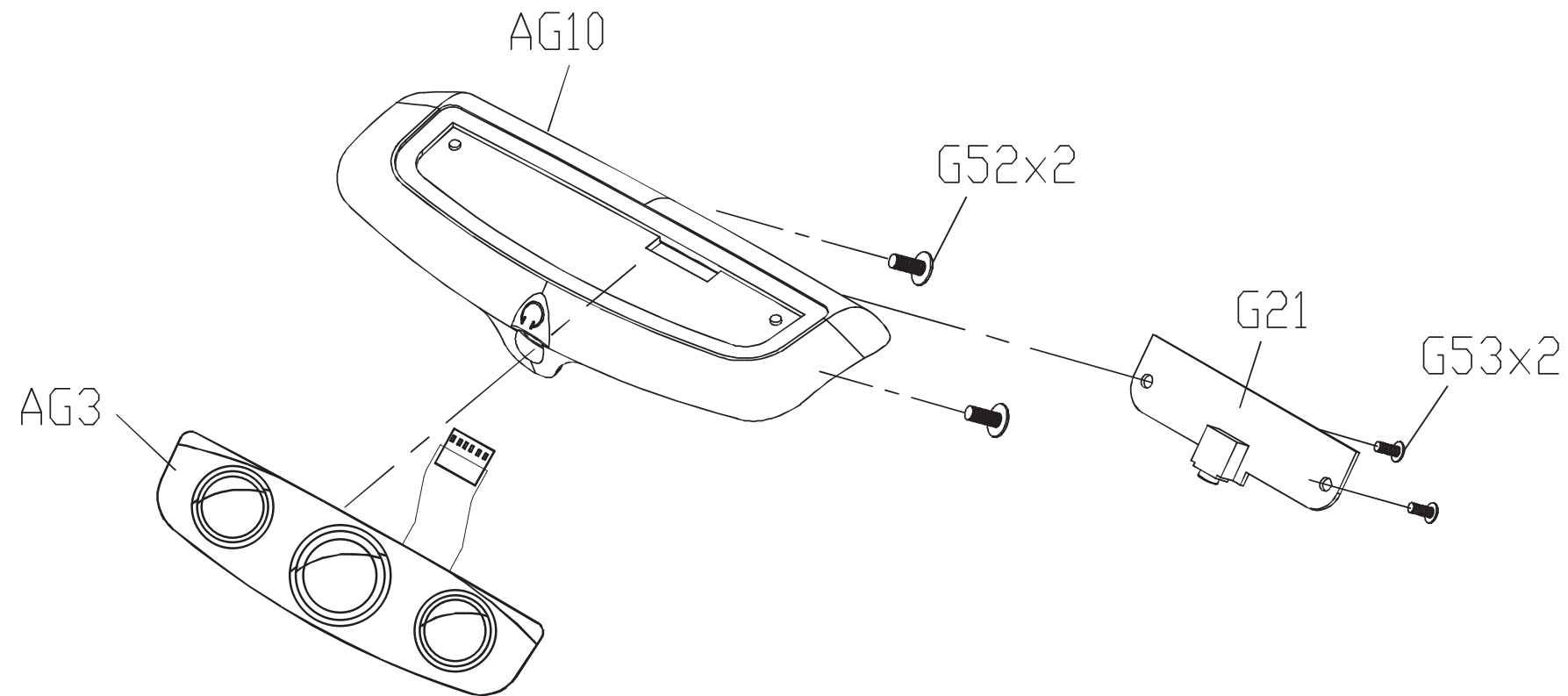


Part NO	Description
1000377477	Handlebar Set;English
1000377487	Handlebar Set;German
1000377488	Handlebar Set;Spanish
1000377489	Handlebar Set;Italian
1000377490	Handlebar Set;French
1000377491	Handlebar Set;Dutch
1000377492	Handlebar Set;Polish
1000377493	Handlebar Set;Portuguese
1000377484	Handlebar Set;Japanese

DRAWING NO	TM530-AG11		
PART NAME	Handlebar Set		
PART NO	1000377480	REV	B
APPROVE	ALLEN	DATE	102015



DRAWING NO	TM527-AG22		
PART NAME	Quick Start Overlay Set		
PART NO	As Attachment <sup>R</sup> / <sub>E</sub> / <sub>D</sub>		
APPROVE	Heady	DATE	060116



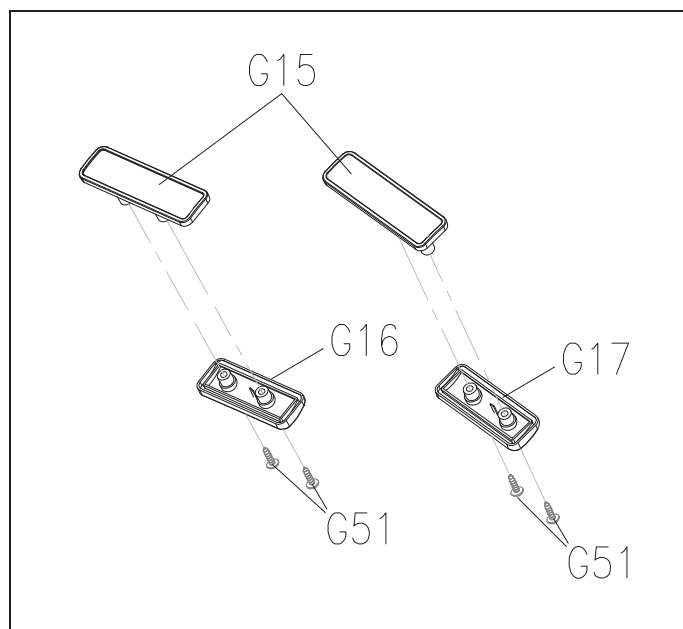
Part NO	Description
1000385846	ES/MS;English;T-7xe-05-C
1000385847	MS;German;T-7xe-05-C
1000385848	MS;Spanish;T-7xe-05-C
1000385849	MS;Italian;T-7xe-05-C
1000385850	MS;French;T-7xe-05-C
1000385851	MS;Dutch;T-7xe-05-C
1000385852	MS;Polish;T-7xe-05-C
1000385853	MS;Portuguese;T-7xe-05-C
1000385854	MS;Japan;T-7xe-05-C



# T7x-01-C

0000091816

## HR GRIP COVER SET



Item No.	SAP Part NO	Description	QTY
G15	0000086068	COVER; SENSOR; UPPER	2
G16	0000086092	COVER; SENSOR; LEFT;	1
G17	0000086271	COVER; SENSOR; RIGHT;	1
G51	0000087858	SCREW; PHILLIP; ROUND;	4