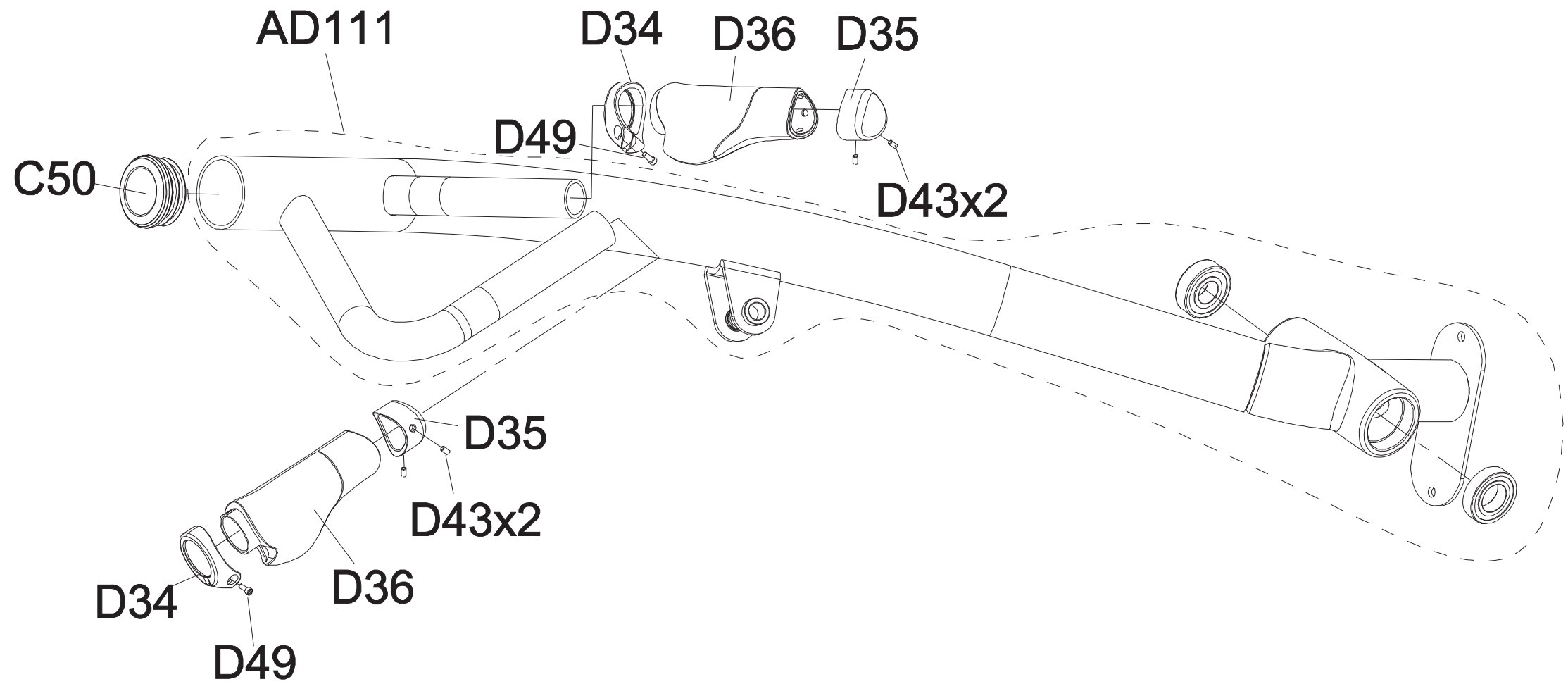


DRAWING NO	GM117-SF01		
PART NAME	Grip Set : Assembling		
PART NO	See Chart	REV	A
APPROVE	ALEX	DATE	03.27.18

Part NO.	Color
1000416408	Iced Sliver
1000416409	Platinum
1000416410	Polarized Titanium
1000416411	Lace White
1000416412	Pearl White
1000416413	Mat Black
1000416414	Black Glossy



DRAWING NO	GM117-SF02		
PART NAME	Grip Set ; Assembling		
PART NO	See Chart	REV	A
APPROVE	ALEX	DATE	03.27.18

Part NO.	Color
1000416415	Iced Sliver
1000416416	Platinum
1000416417	Polarized Titanium
1000416418	Lace White
1000416419	Pearl White
1000416420	Mat Black
1000416421	Black Glossy

