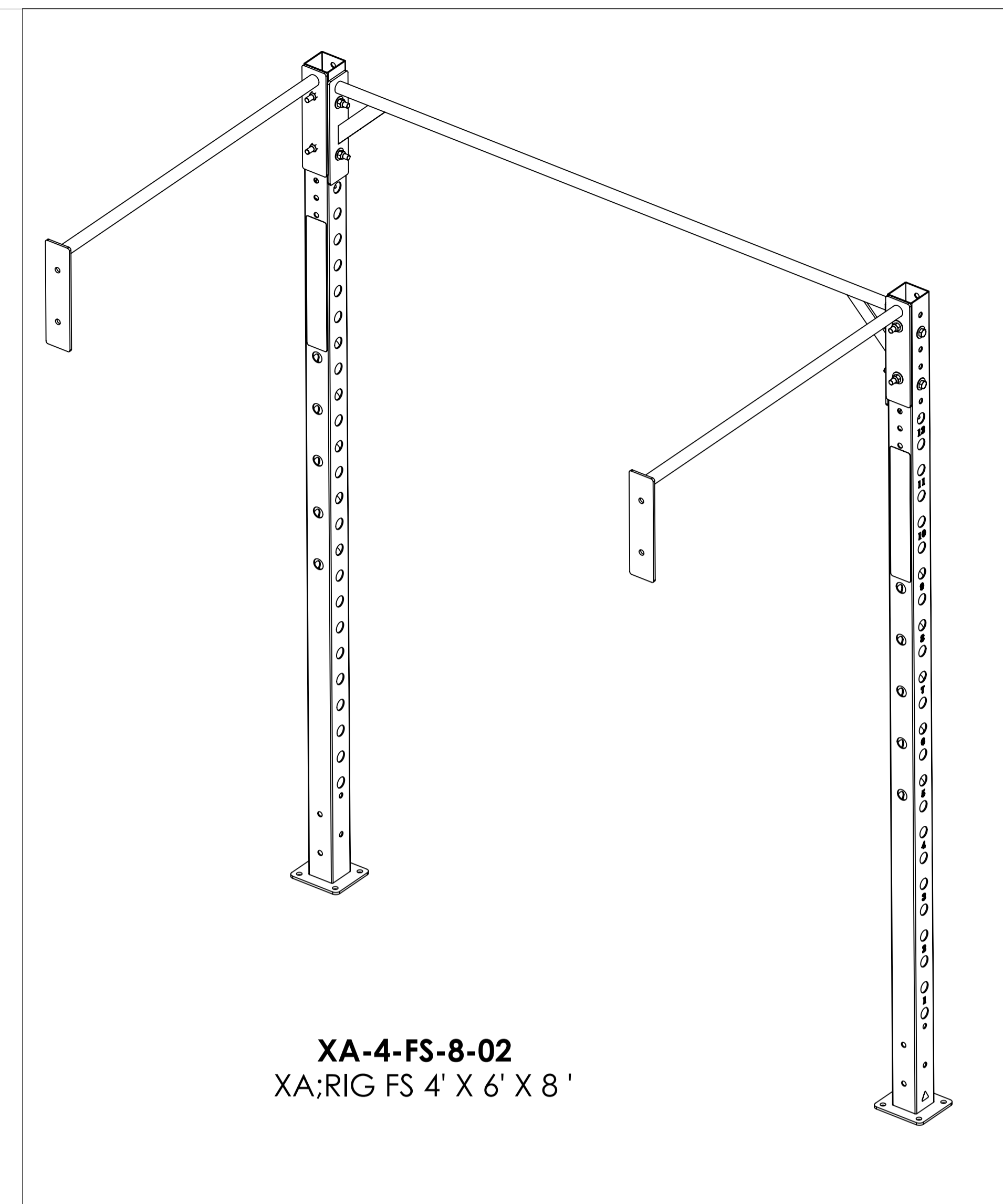


**XA-4-FS-02**  
XA;RIG FS 4' X 6' X 9'  
(SHOWN EXPLODED)

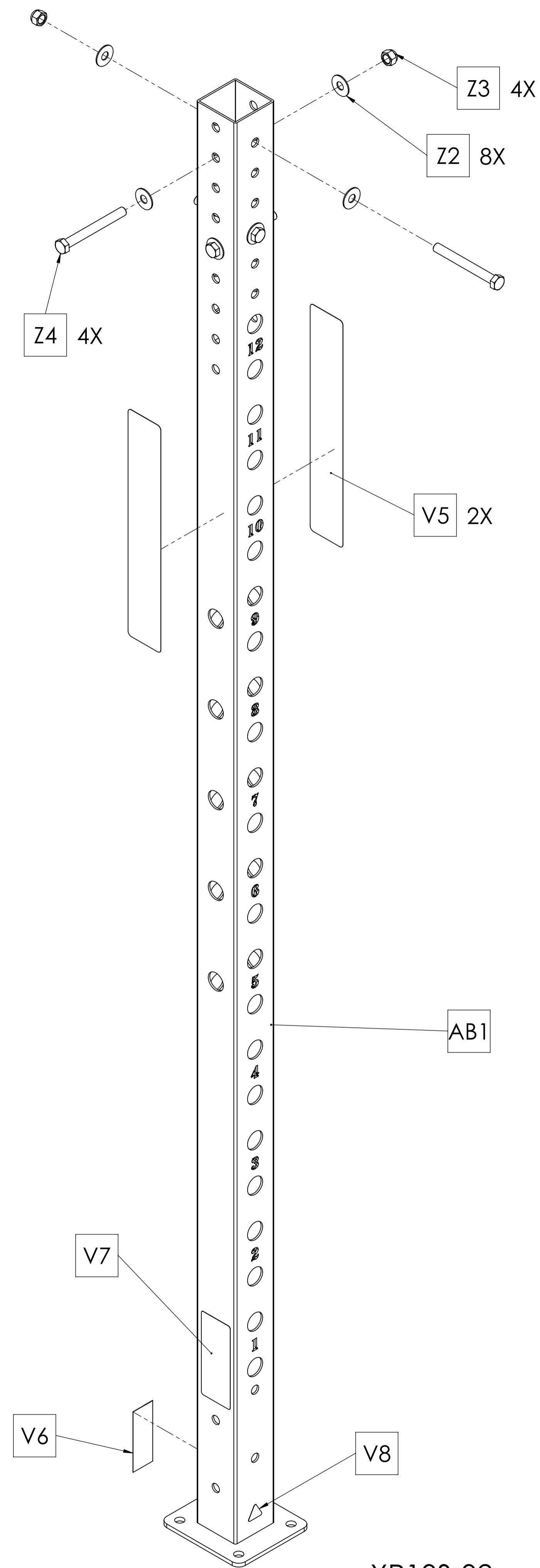
SEE UPRIGHT SHEET &  
BOM FOR PART NUMBER  
(IMAGE MAY VARY IN HEIGHT)



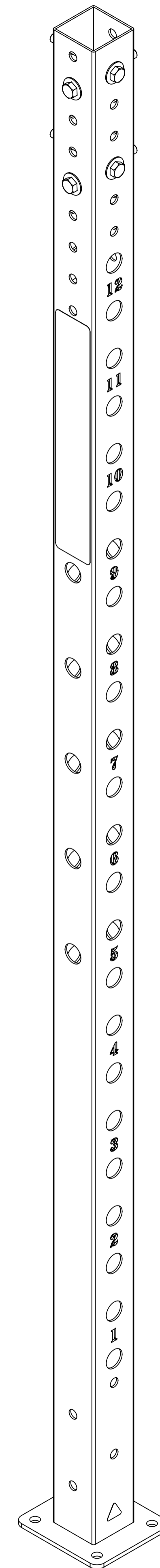
**XA-4-FS-8-02**  
XA;RIG FS 4' X 6' X 8'

**MATRIX**

DWG NO.		
XA-4-FS-02 & XA-4-FS-8-02 SERVICE		
DESCRIPTION:		
XA;RIG FS 4' X 6' (Height 9' or 8')		
POWER RACKS		
DRAWN BY:	LMB	DATE: 2018.MAY.31
UPDATED BY:		DATE:



XR10S-02  
XULT 8' UPRIGHT W/SERIAL# & MTG HW  
( SHOWN EXPLODED)



XR10-02  
XULT 8' UPRIGHT W/MTG HW

**MATRIX**

DWG NO.		XR10-02 SERIES SERVICE	
DESCRIPTION:		RIG;8FT UPRIGHT SERIES XULT	
DRAWN BY:	LMB	DATE:	2017.NOV.06
UPDATED BY:		DATE:	