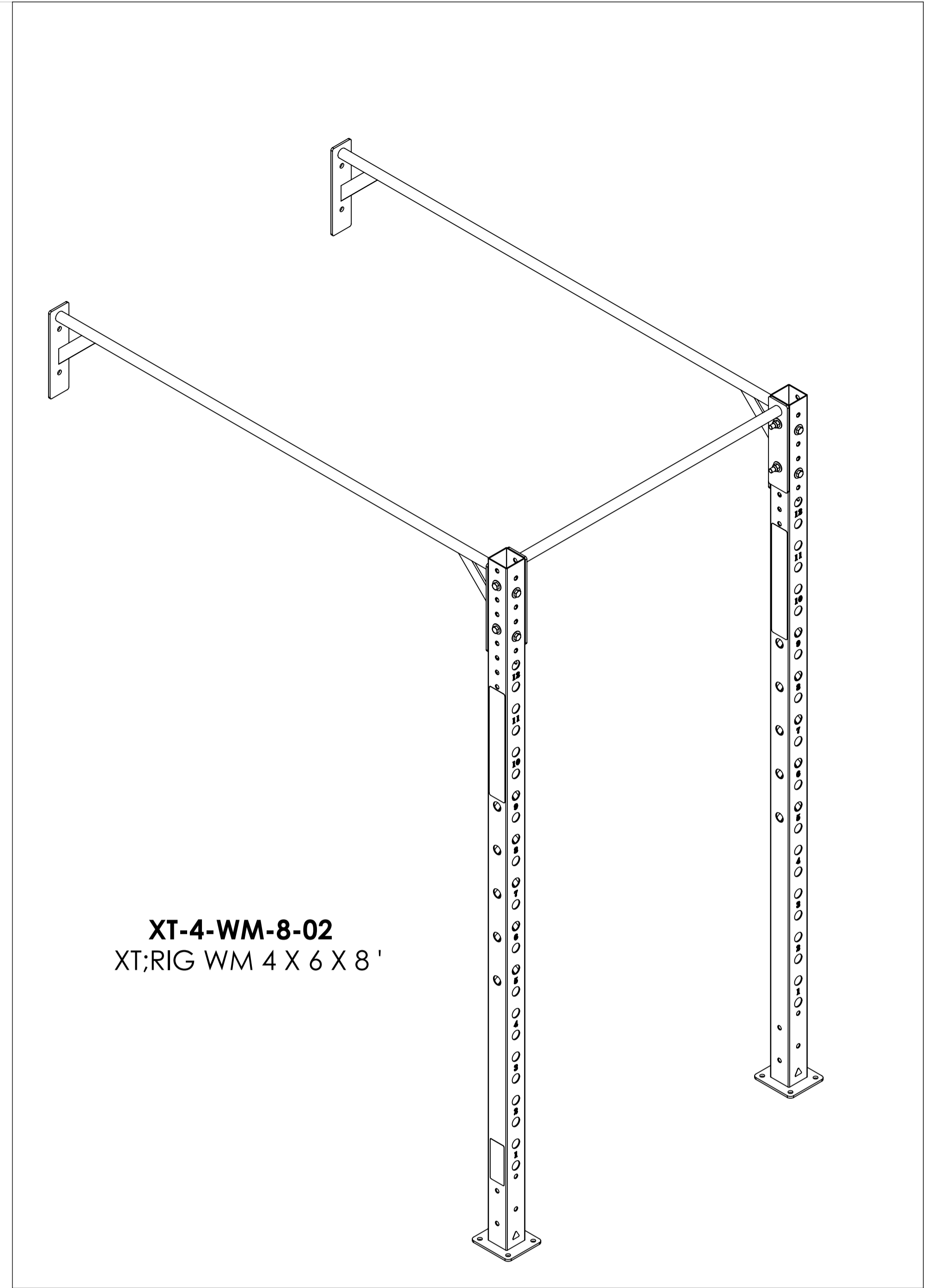


XT-4-WM-03
 XT;RIG WM 4 X 6 X 9'
 (SHOWN EXPLODED)

LEFT FRONT UPRIGHT W/SERIAL#
 SEE UPRIGHT SHEET &
 BOM FOR PART NUMBER
 (IMAGE MAY VARY IN HEIGHT)

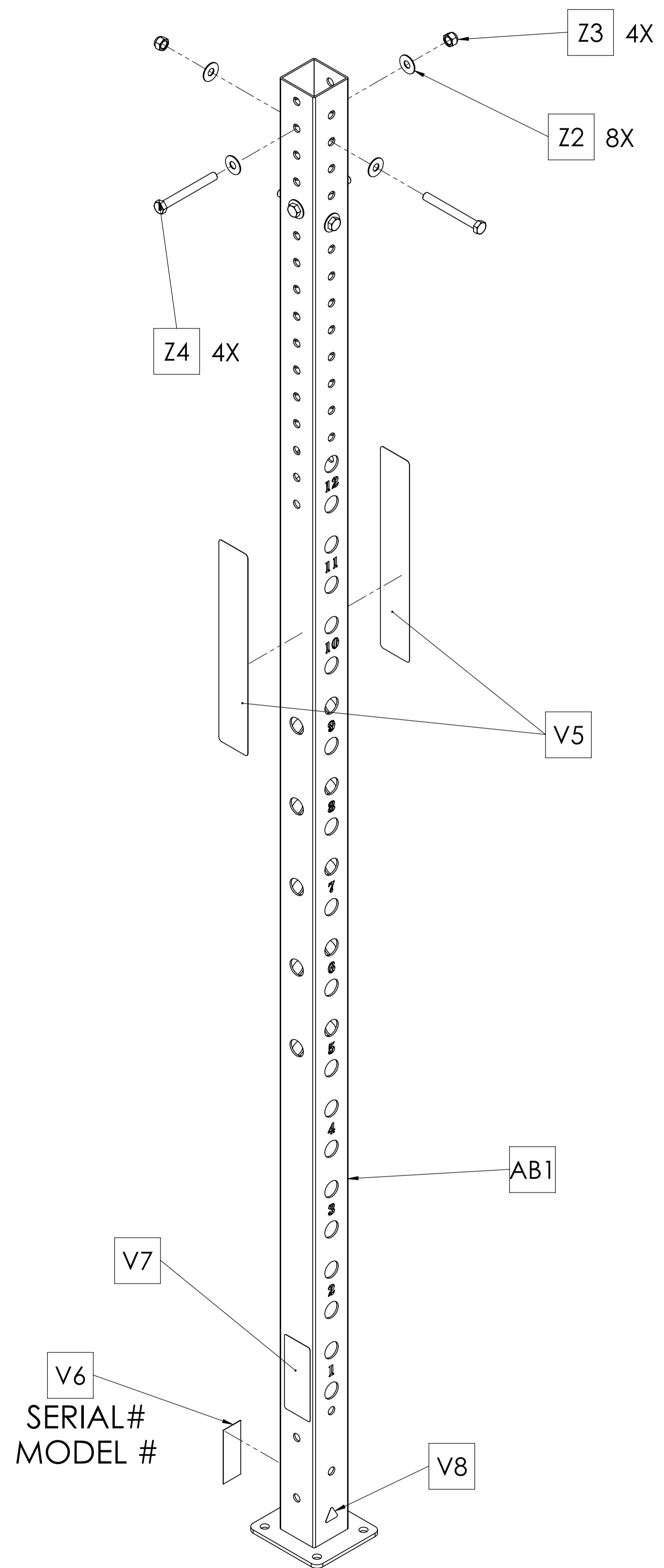
SEE UPRIGHT SHEET &
 BOM FOR PART NUMBER
 (IMAGE MAY VARY IN HEIGHT)



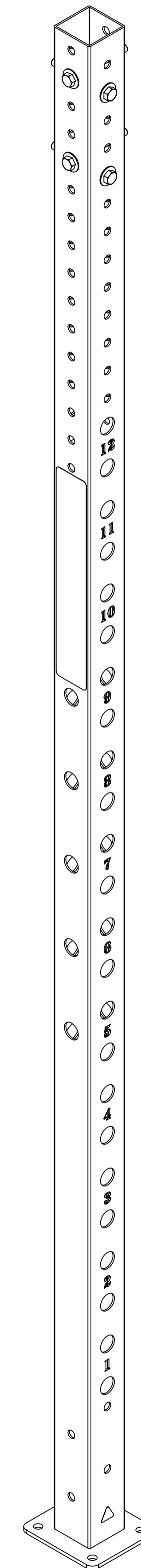
XT-4-WM-8-02
 XT;RIG WM 4 X 6 X 8'

MATRIX

DWG NO.		
XT-4-WM-03 & XT-4-WM-8-02 SERVICE		
DESCRIPTION:		
XT;RIG WM 4' X 6' (Height 9' or 8') (POWER RACKS)		
DRAWN BY:	LMB	DATE: 2018.JUN.14
UPDATED BY:		DATE:



XR03S-02
XULT 9' UPRIGHT W/SERIAL# & MTG HW
(SHOWN EXPLODED)



XR03-02
XULT 9' UPRIGHT W/MTG HW

MATRIX

DWG NO.		XR03-02 SERIES SERVICE	
DESCRIPTION:		RIG;9' UPRIGHT SERIES	
		XULT	
DRAWN BY:	LMB	DATE:	2017.NOV.03
UPDATED BY:		DATE:	