

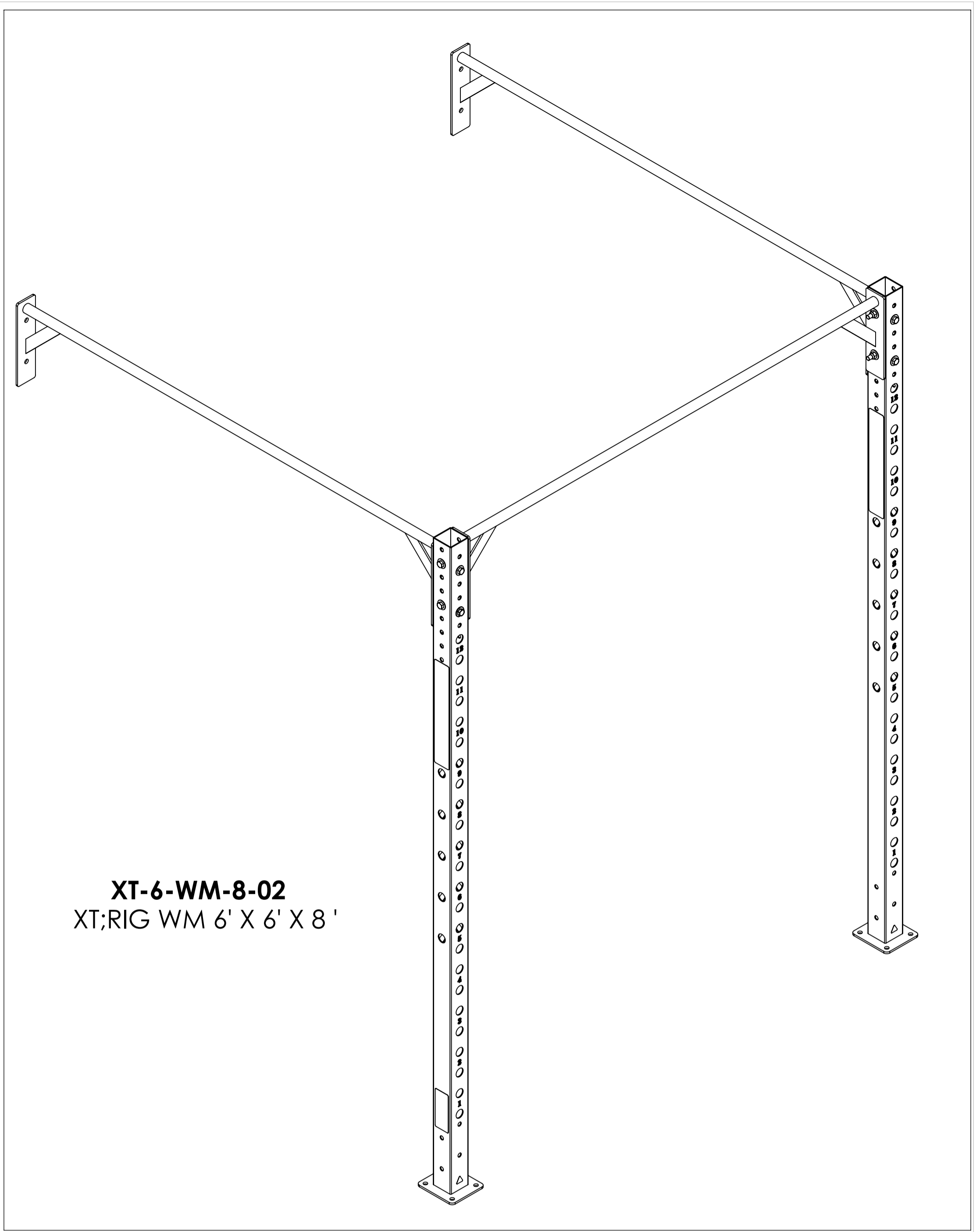
XT-6-WM-02
XT;RIG WM 6' X 6' X 9'
(SHOWN EXPLODED)

LEFT FRONT UPRIGHT W/SERIAL#
SEE UPRIGHT SHEET & BOM FOR PART NUMBER
(IMAGE MAY VARY IN HEIGHT)

AB4

AB4

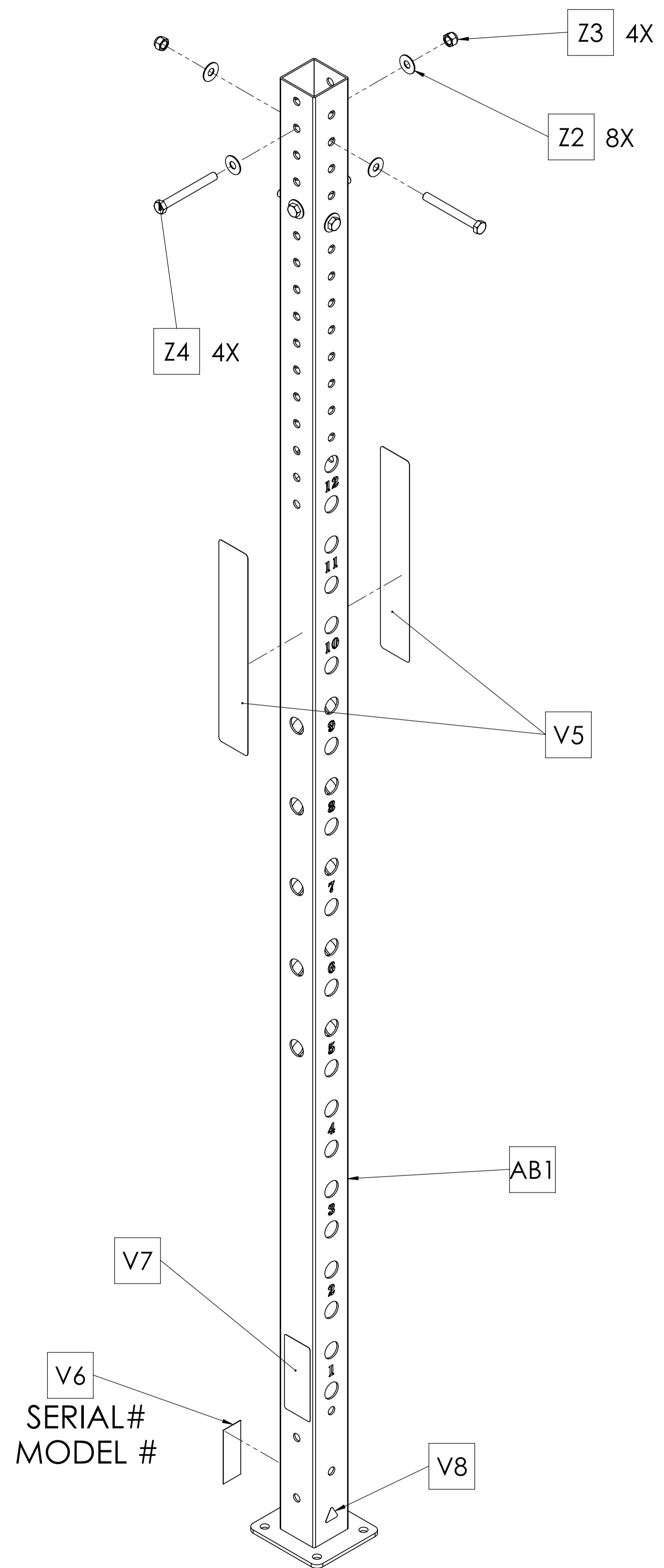
SEE UPRIGHT SHEET & BOM FOR PART NUMBER
(IMAGE MAY VARY IN HEIGHT)



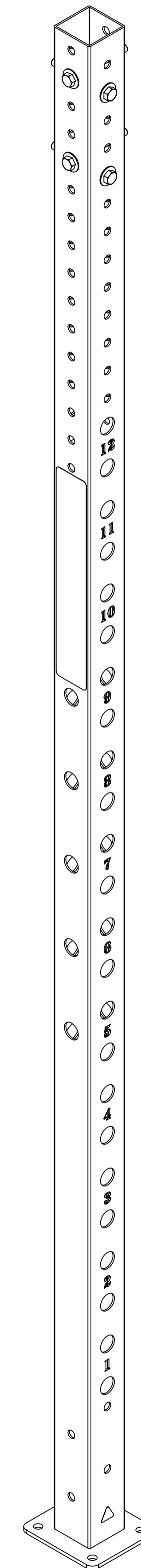
XT-6-WM-8-02
XT;RIG WM 6' X 6' X 8'

MATRIX

DWG NO.		
XT-6-WM-02 & XT-6-WM-8-02 SERVICE		
DESCRIPTION:		
XT;RIG WM 6' X 6' (Height 9' or 8') (POWER RACKS)		
DRAWN BY:	LMB	DATE: 2018.JUN.01
UPDATED BY:		DATE: ---



XR03S-02
XULT 9' UPRIGHT W/SERIAL# & MTG HW
(SHOWN EXPLODED)



XR03-02
XULT 9' UPRIGHT W/MTG HW

MATRIX

DWG NO.		XR03-02 SERIES SERVICE	
DESCRIPTION:		RIG;9' UPRIGHT SERIES	
		XULT	
DRAWN BY:	LMB	DATE:	2017.NOV.03
UPDATED BY:		DATE:	