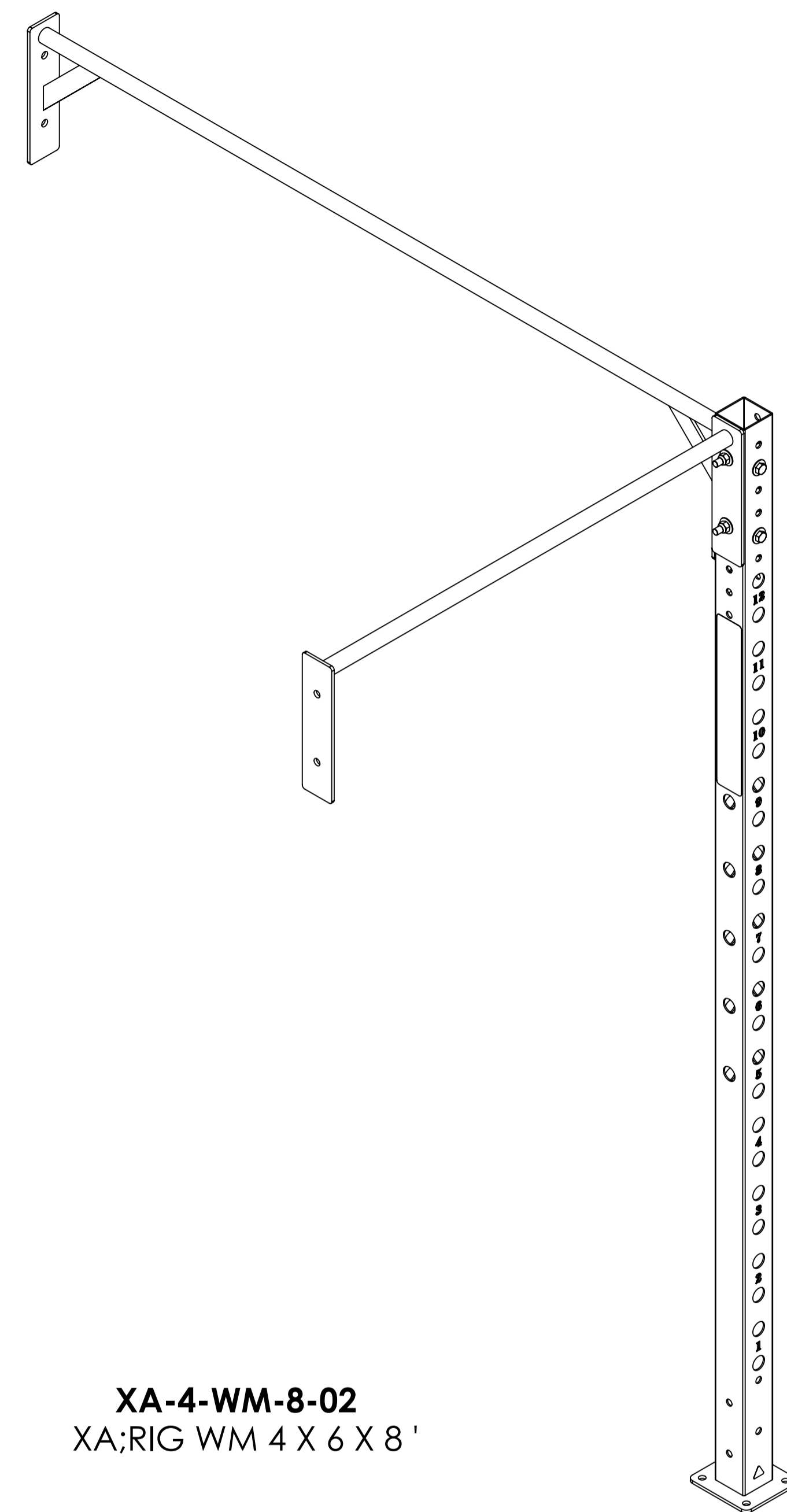


XA-4-WM-02
XA;RIG WM 4 X 6 X 9'
(SHOWN EXPLODED)

SEE UPRIGHT SHEET &
BOM FOR PART NUMBER
(IMAGE MAY VARY IN HEIGHT)



XA-4-WM-8-02
XA;RIG WM 4 X 6 X 8'

MATRIX

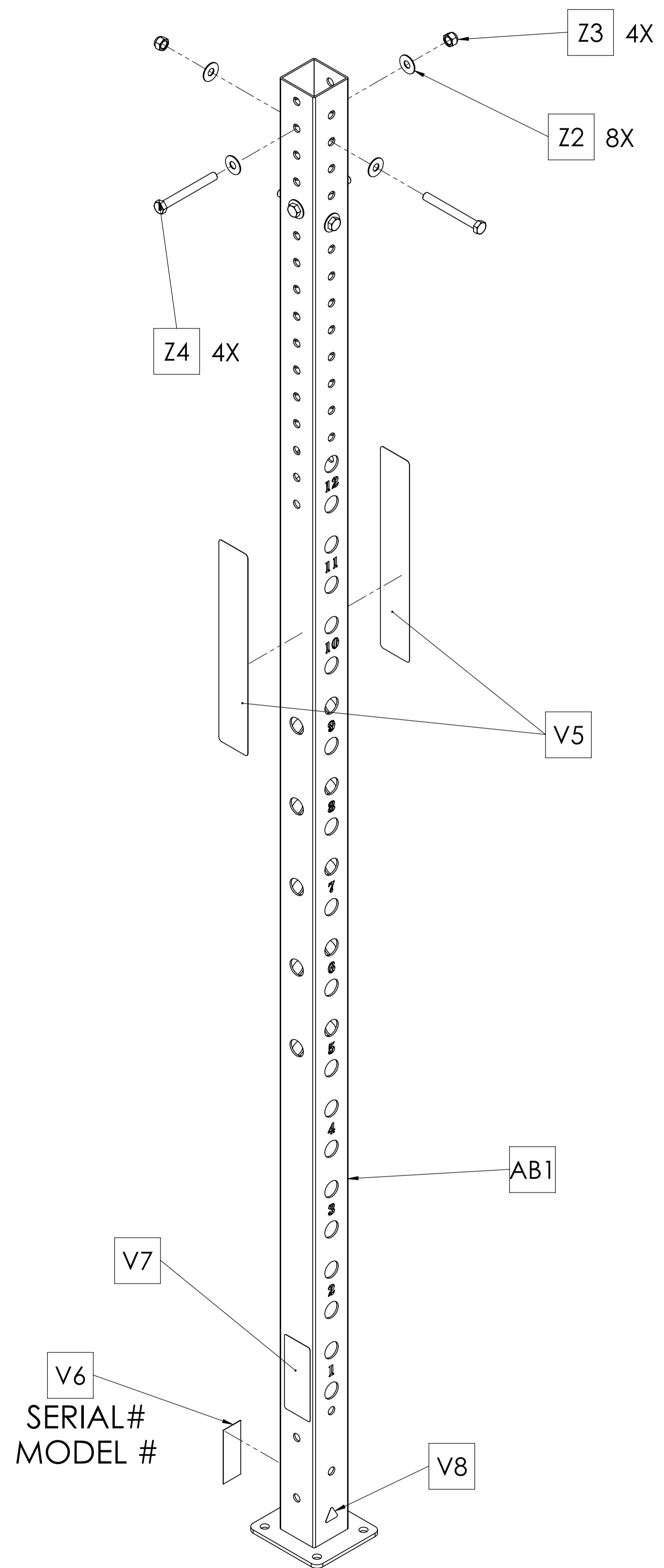
DWG NO. XA-4-WM-02 & XA-4-WM-8-02 SERVICE

DESCRIPTION: XA;RIG WM 4' X 6' (Height 9' or 8')

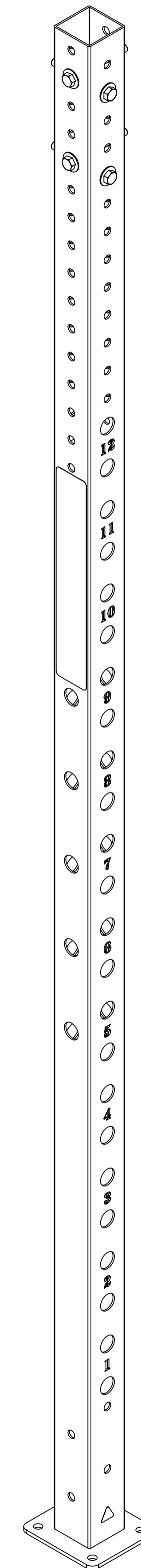
(POWER RACKS)

DRAWN BY: LMB DATE: 2018.MAY.31

UPDATED BY: -- DATE: --



XR03S-02
XULT 9' UPRIGHT W/SERIAL# & MTG HW
(SHOWN EXPLODED)



XR03-02
XULT 9' UPRIGHT W/MTG HW

MATRIX

DWG NO.		XR03-02 SERIES SERVICE	
DESCRIPTION:		RIG;9' UPRIGHT SERIES	
		XULT	
DRAWN BY:	LMB	DATE:	2017.NOV.03
UPDATED BY:		DATE:	