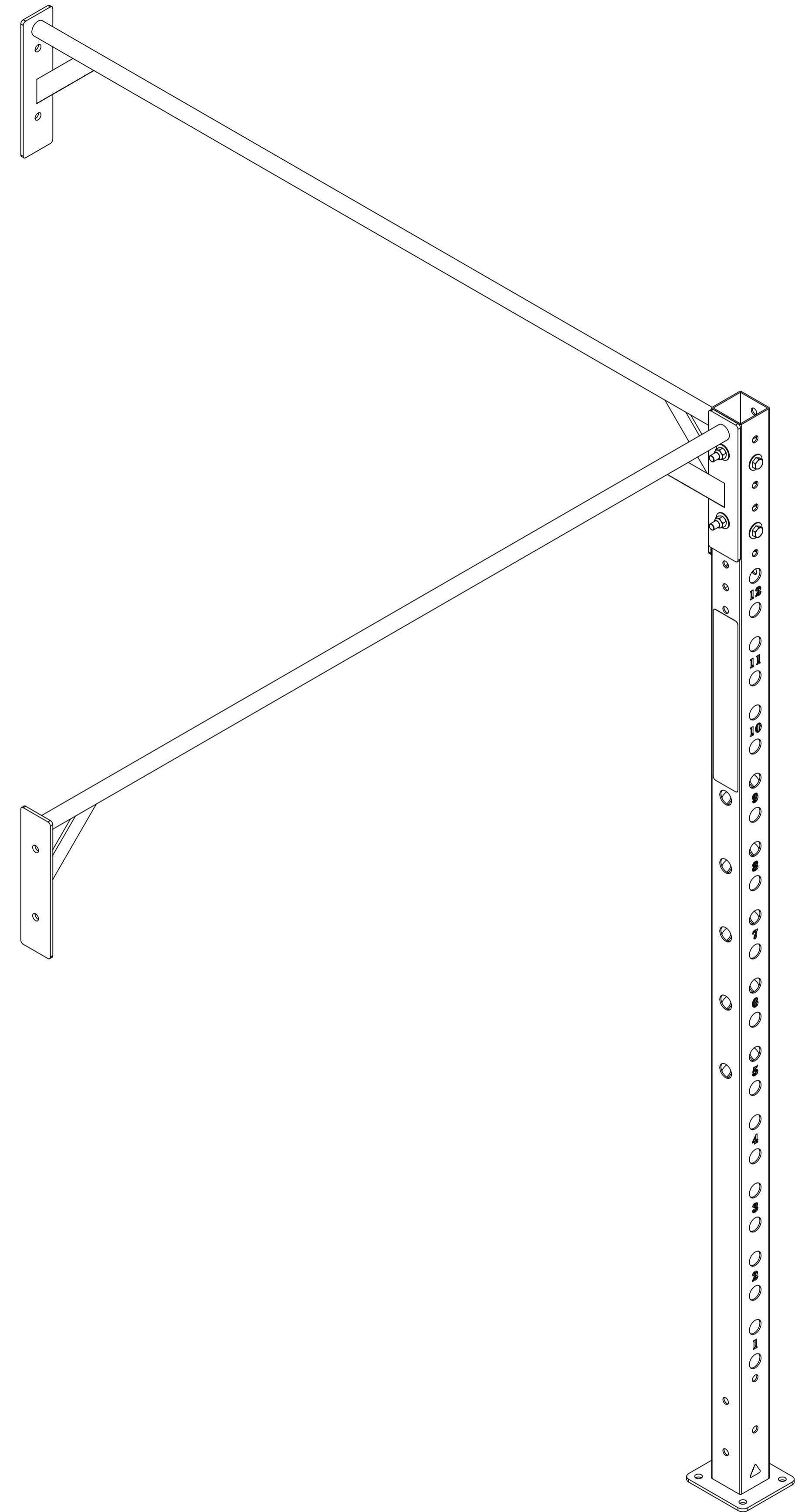


XA-6-WM-02
XA;RIG WM 6' X 6' X 9'
(SHOWN EXPLODED)

SEE UPRIGHT SHEET &
BOM FOR PART NUMBER
(IMAGE MAY VARY IN HEIGHT)



XA-6-WM-8-02
XA;RIG WM 6' X 6' X 8'

MATRIX

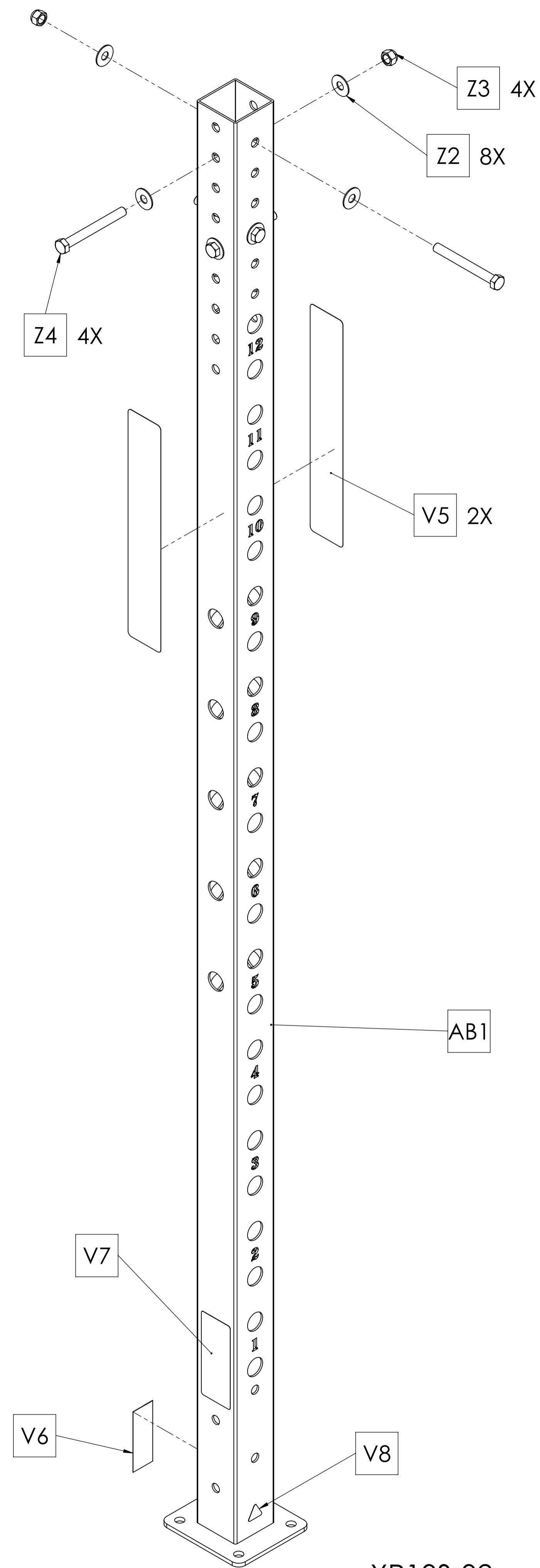
DWG NO. XA-6-WM-02 & XA-6-WM-8-02 SERVICE

DESCRIPTION: XA;RIG WM 6' X 6' (Height 9' or 8')

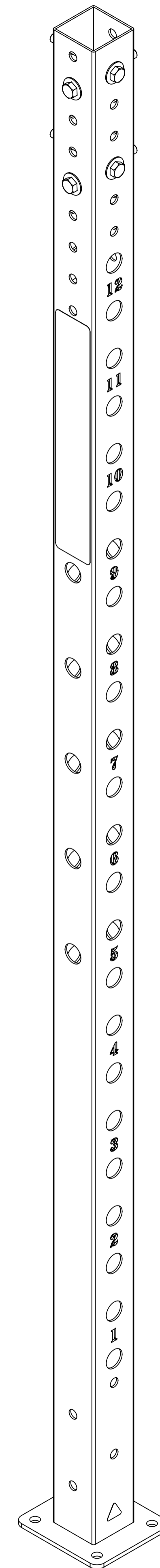
(POWER RACKS)

DRAWN BY: LMB DATE: 2018.JUN.01

UPDATED BY: -- DATE: --



XR10S-02
XULT 8' UPRIGHT W/SERIAL# & MTG HW
(SHOWN EXPLODED)



XR10-02
XULT 8' UPRIGHT W/MTG HW

MATRIX

DWG NO.		XR10-02 SERIES SERVICE	
DESCRIPTION:		RIG;8FT UPRIGHT SERIES XULT	
DRAWN BY:	LMB	DATE:	2017.NOV.06
UPDATED BY:		DATE:	