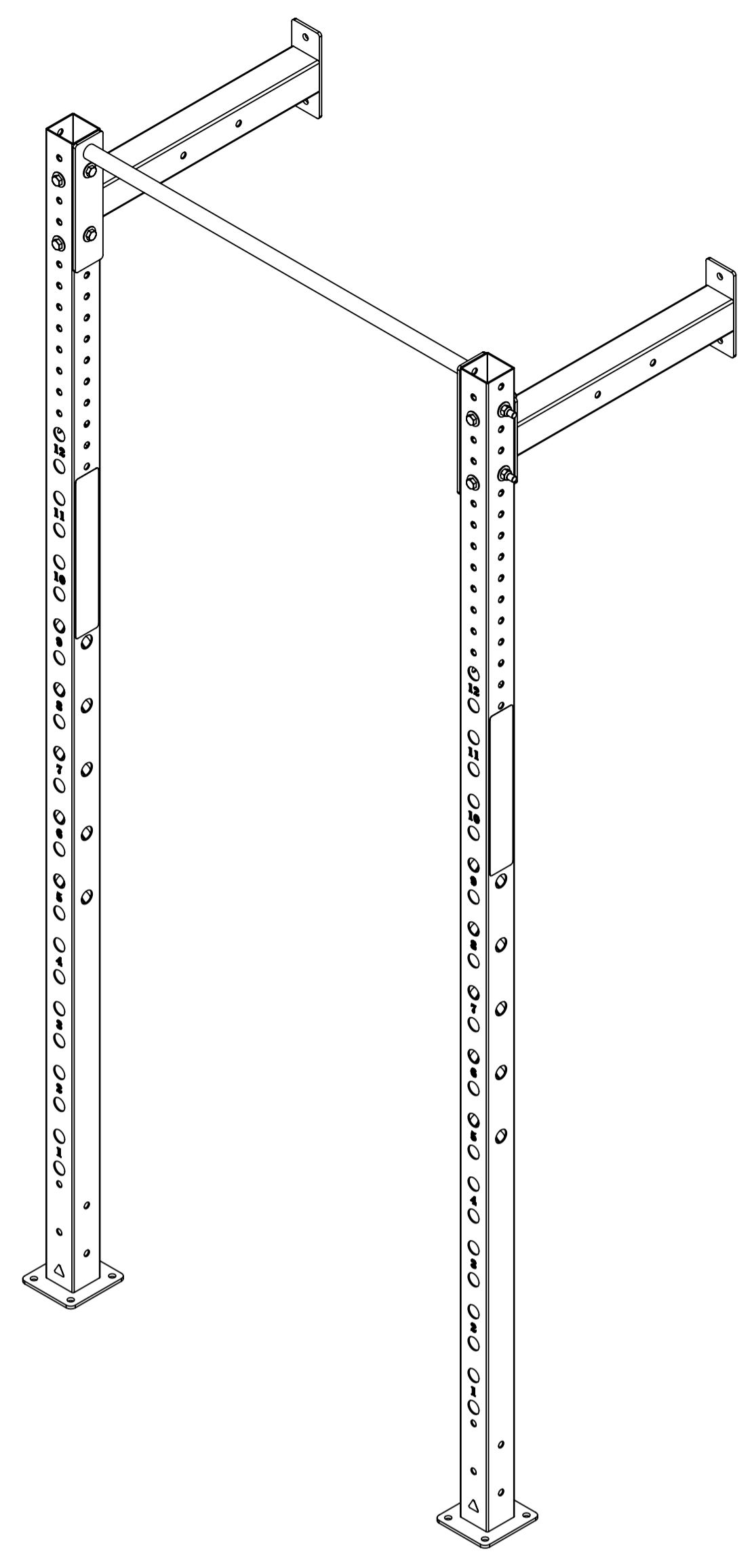
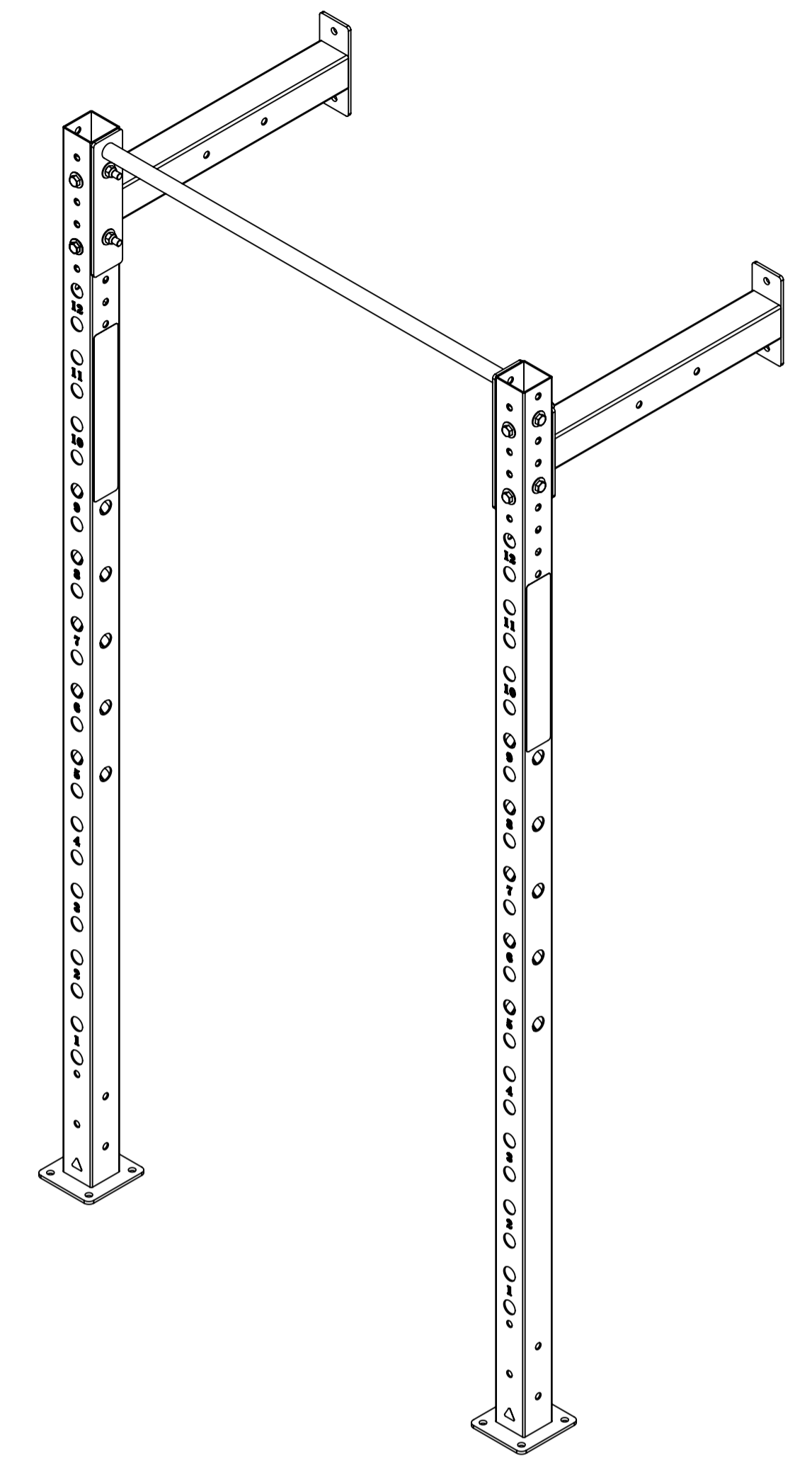


**LEFT FRONT UPRIGHT W/SERIAL#**  
SEE UPRIGHT SHEET & BOM FOR PART NUMBER  
(IMAGE MAY VARY IN HEIGHT)

SEE UPRIGHT SHEET & BOM FOR PART NUMBER  
(IMAGE MAY VARY IN HEIGHT)



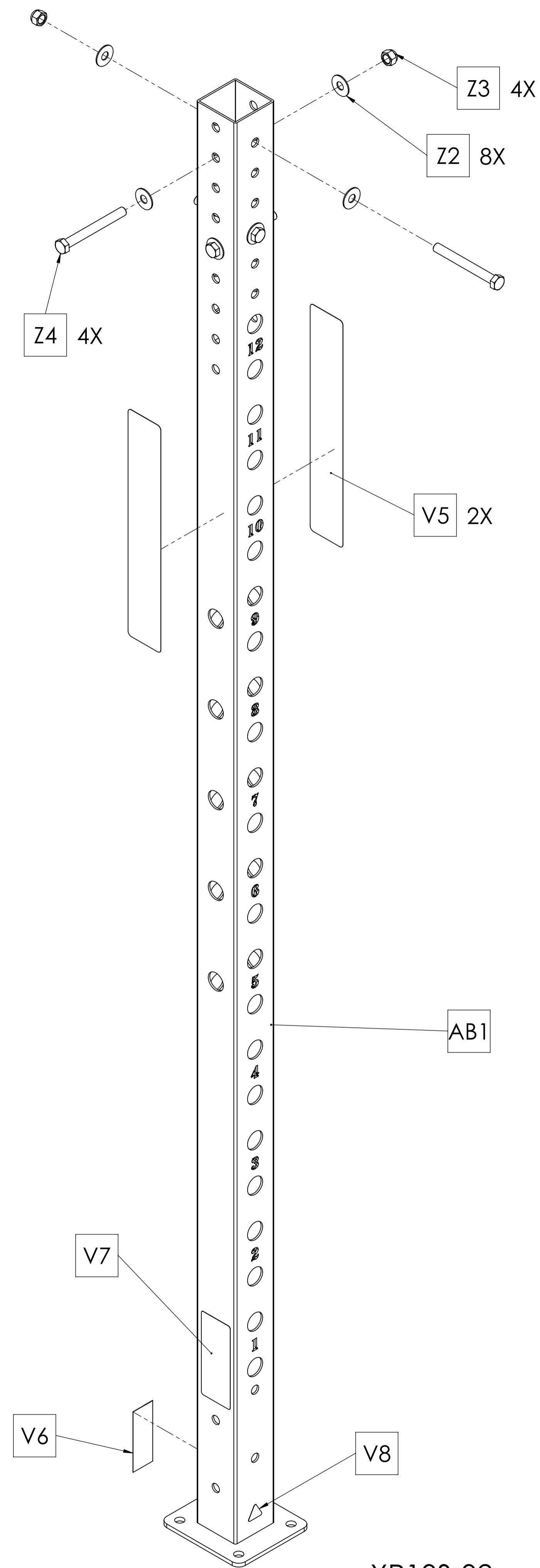
**XT-4-BO-02**  
BUMP OUT  
XT;BO 4' X 2' X 9'  
( SHOWN EXPLODED)



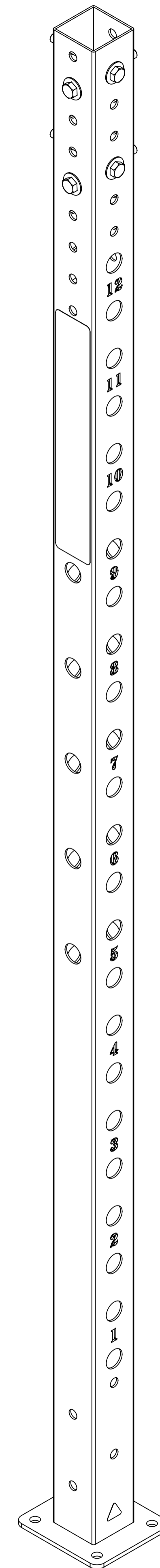
**XT-4-BO-8-02**  
BUMP OUT  
XT;BO 4' X 2' X 8'

**MATRIX**

DWG NO.		XT-4-BO-02 & XT-4-BO-8-02 SERVICE	
DESCRIPTION:		XT; BO 4' X 2' (HEIGHT 9' OR 8') (POWER RACKS)	
DRAWN BY:	LMB	DATE:	2018.JUN.01
UPDATED BY:		DATE:	



XR10S-02  
XULT 8' UPRIGHT W/SERIAL# & MTG HW  
( SHOWN EXPLODED)



XR10-02  
XULT 8' UPRIGHT W/MTG HW

**MATRIX**

DWG NO.		XR10-02 SERIES SERVICE	
DESCRIPTION:		RIG;8FT UPRIGHT SERIES XULT	
DRAWN BY:	LMB	DATE:	2017.NOV.06
UPDATED BY:		DATE:	