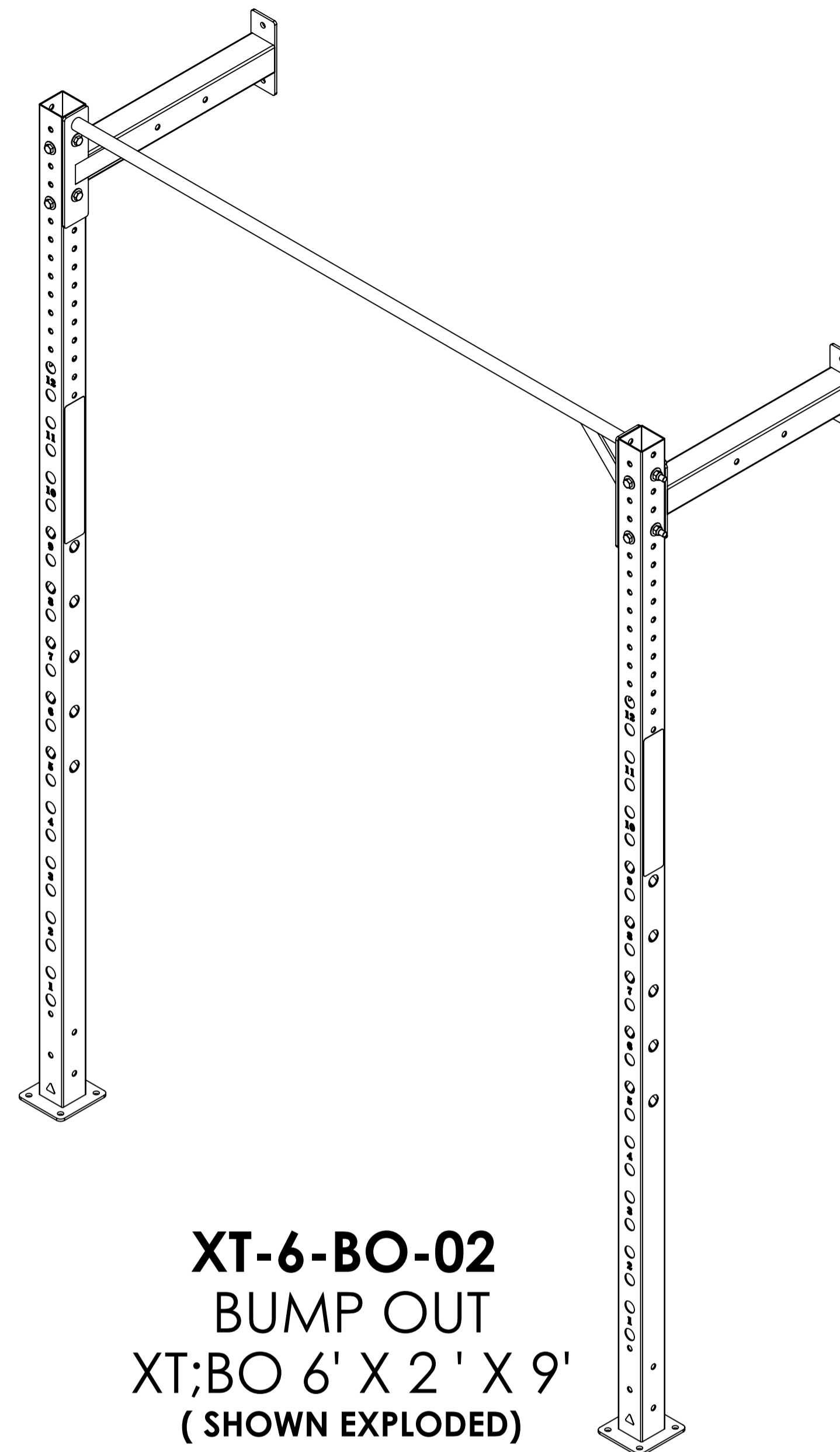
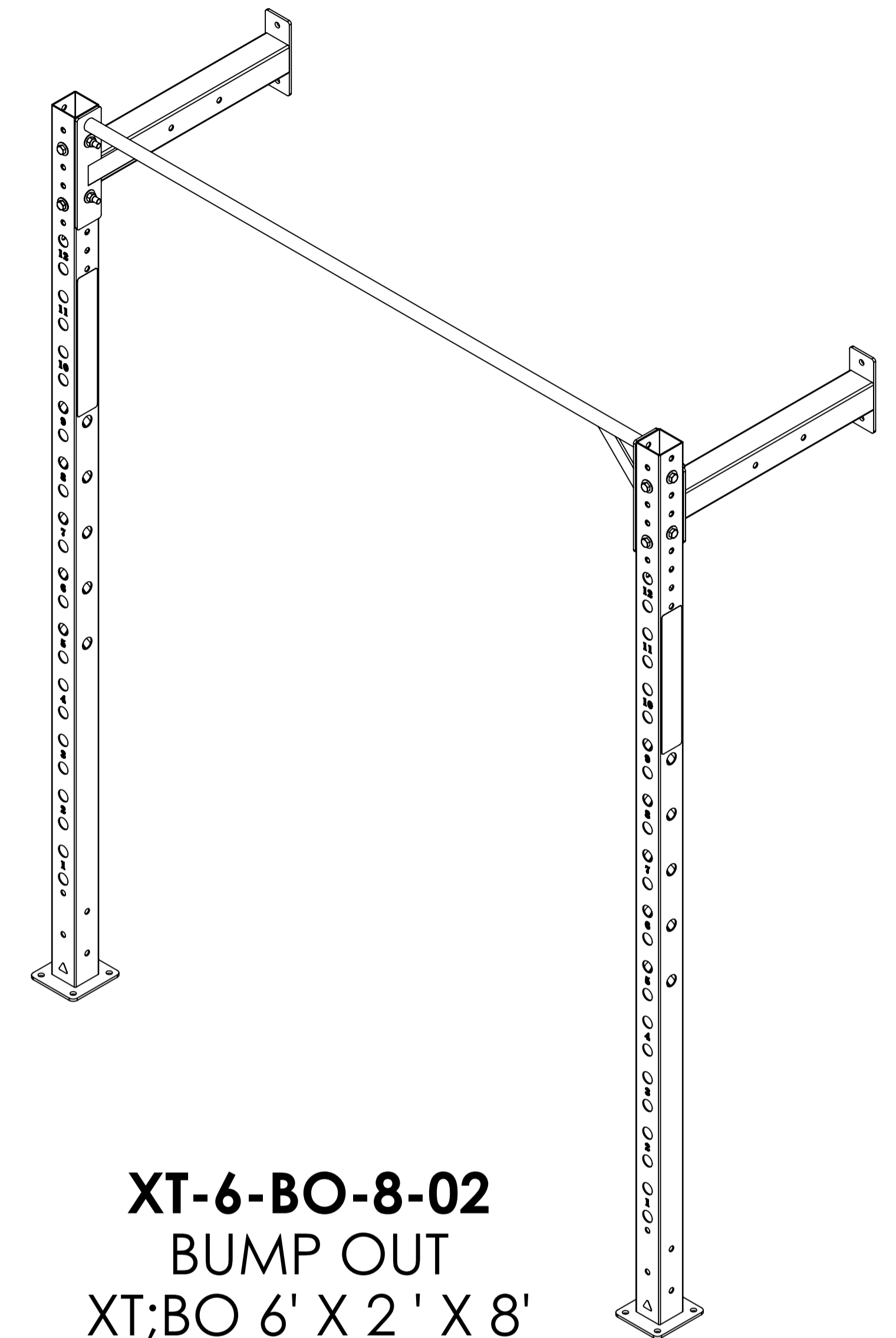


LEFT FRONT
UPRIGHT W/SERIAL#
SEE UPRIGHT SHEET &
BOM FOR PART NUMBER
(IMAGE MAY VARY IN HEIGHT)

SEE UPRIGHT SHEET &
BOM FOR PART NUMBER
(IMAGE MAY VARY IN HEIGHT)



XT-6-BO-02
BUMP OUT
XT;BO 6' X 2' X 9'
(SHOWN EXPLODED)



XT-6-BO-8-02
BUMP OUT
XT;BO 6' X 2' X 8'

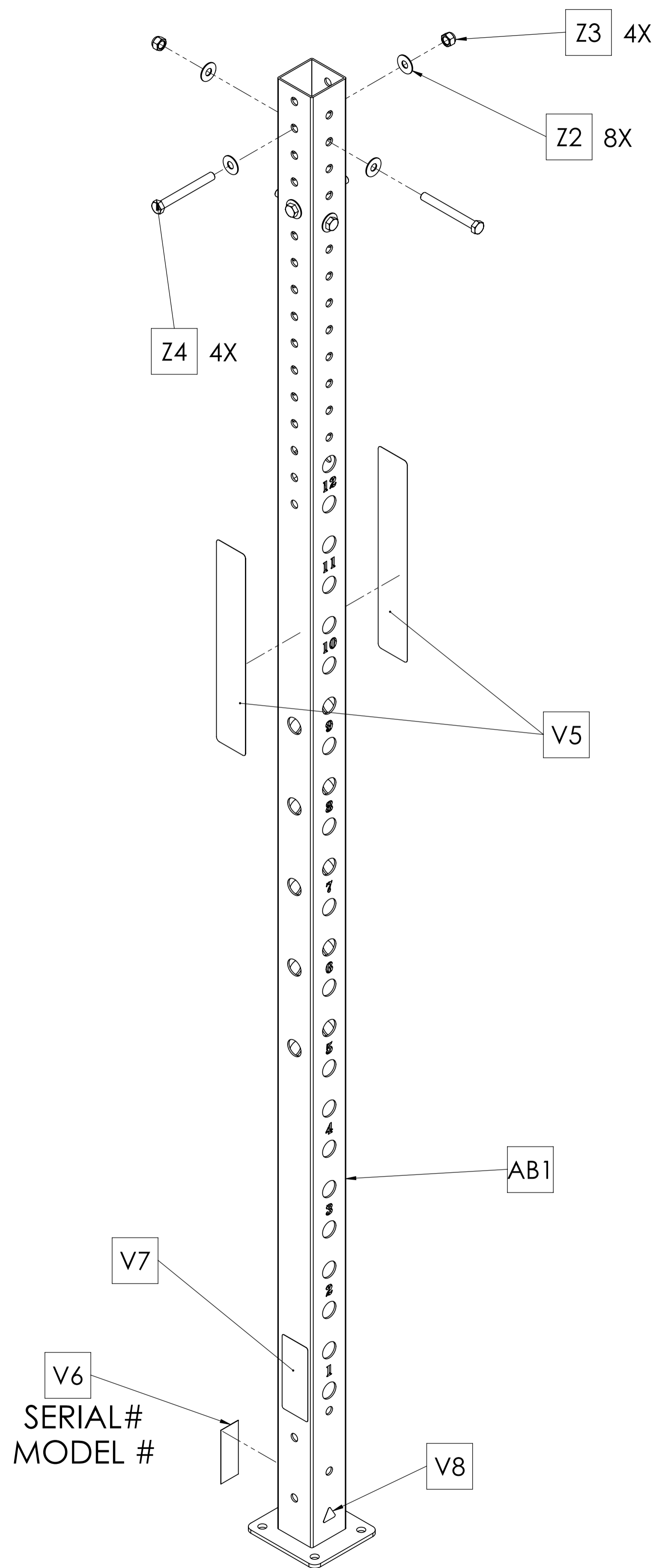
MATRIX

DWG NO.
XT-6-BO-02 & XT-6-BO-8-02 SERVICE

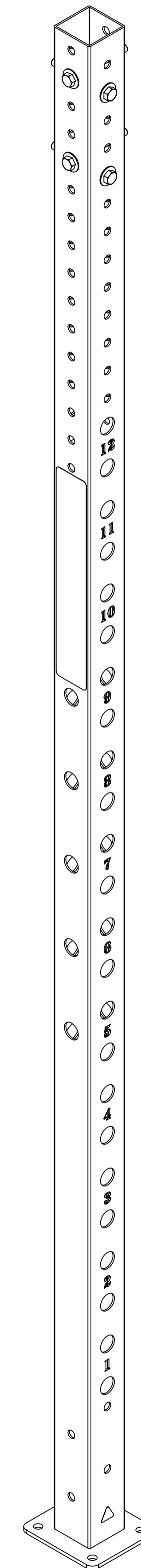
DESCRIPTION:
XT;BUMP OUT 6' X 2' (HEIGHT 9' OR 8')
(POWER RACKS)

DRAWN BY: LMB DATE: 2018.APR.04

UPDATED BY: DATE:



XR03S-02
XULT 9' UPRIGHT W/SERIAL# & MTG HW
(SHOWN EXPLODED)



XR03-02
XULT 9' UPRIGHT W/MTG HW

MATRIX

DWG NO.		XR03-02 SERIES SERVICE	
DESCRIPTION:		RIG;9' UPRIGHT SERIES	
		XULT	
DRAWN BY:	LMB	DATE:	2017.NOV.03
UPDATED BY:		DATE:	