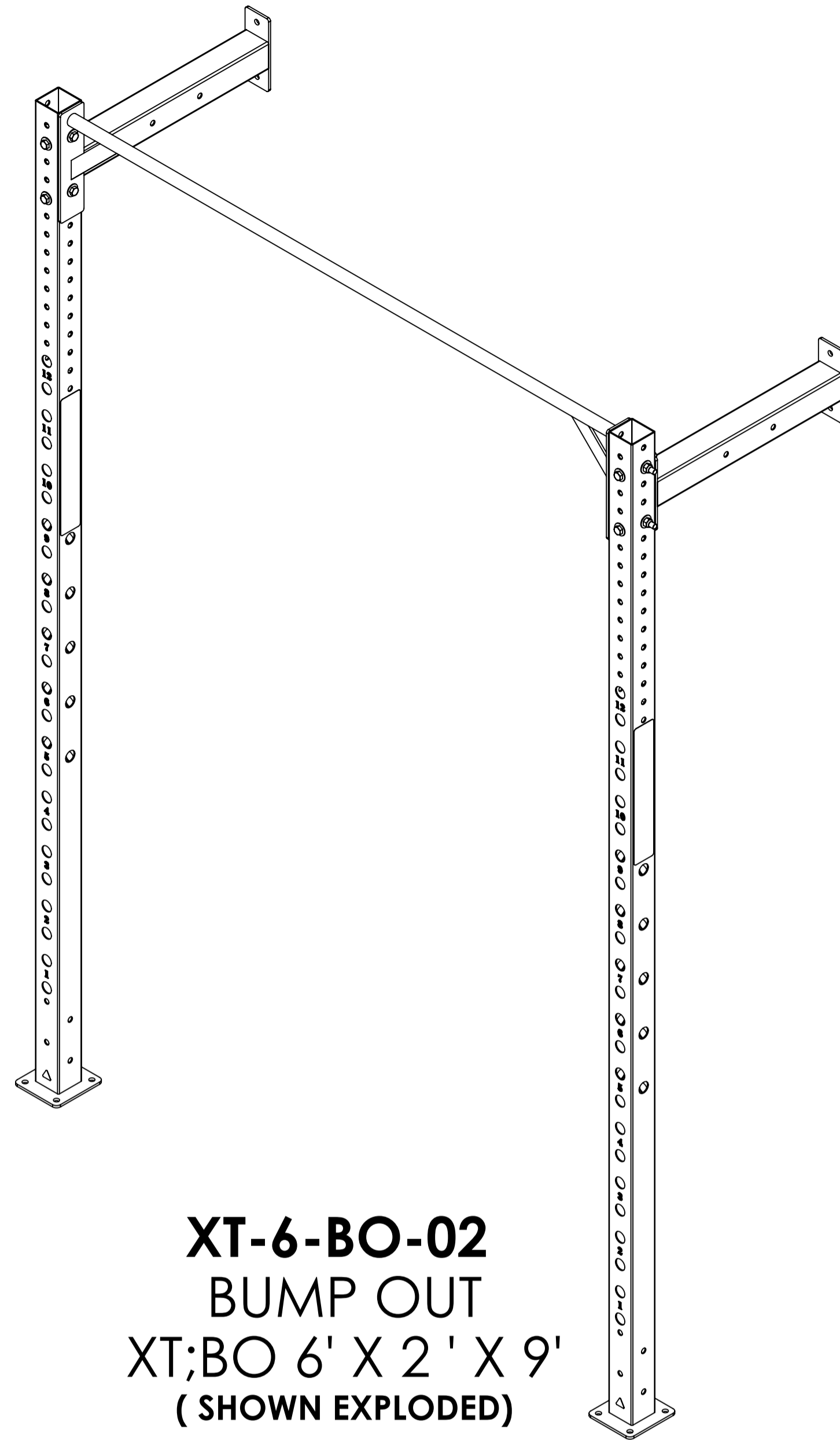
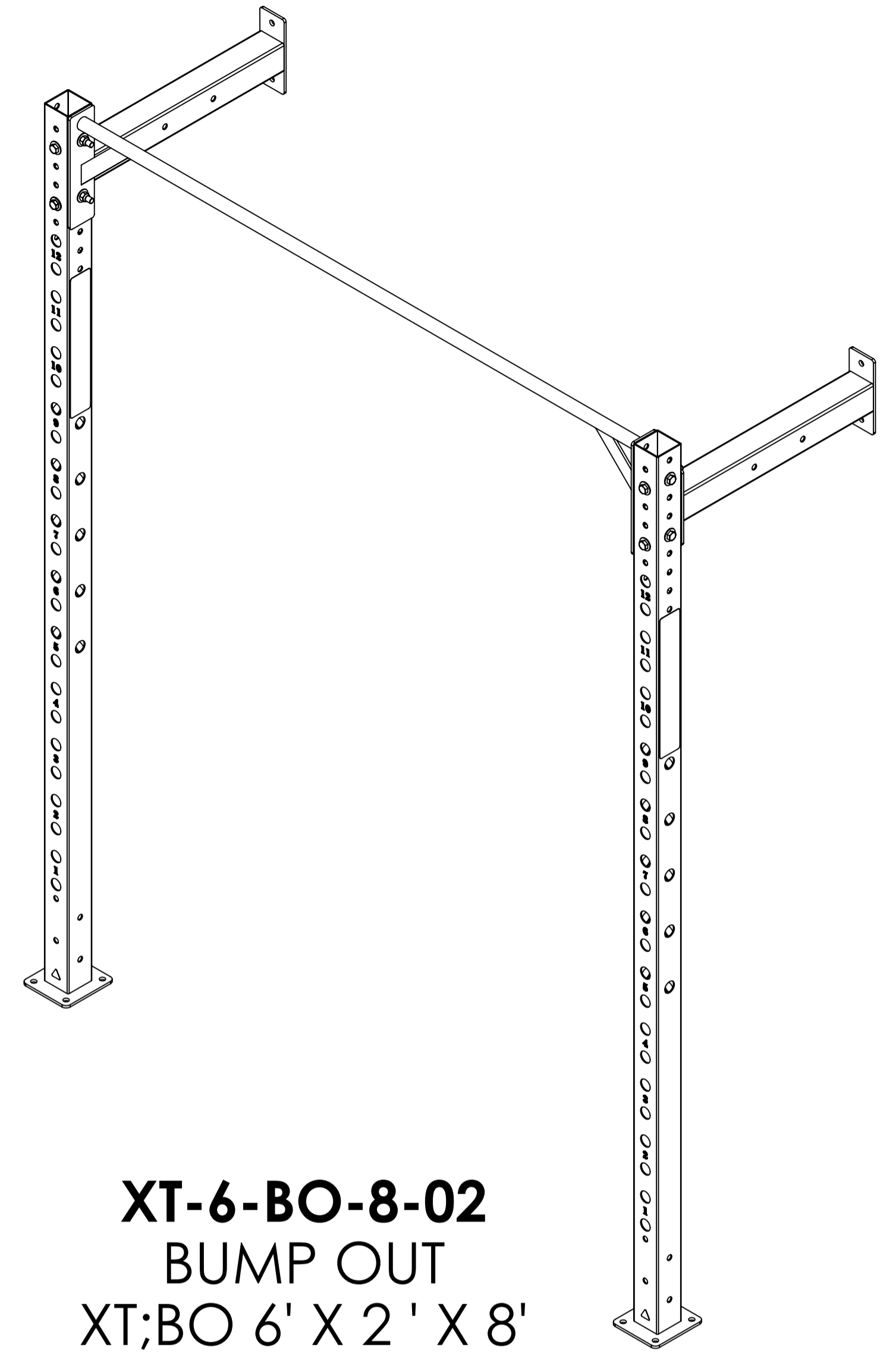


LEFT FRONT  
UPRIGHT W/SERIAL#  
SEE UPRIGHT SHEET &  
BOM FOR PART NUMBER  
(IMAGE MAY VARY IN HEIGHT)

SEE UPRIGHT SHEET &  
BOM FOR PART NUMBER  
(IMAGE MAY VARY IN HEIGHT)



**XT-6-BO-02**  
BUMP OUT  
XT;BO 6' X 2' X 9'  
( SHOWN EXPLODED)



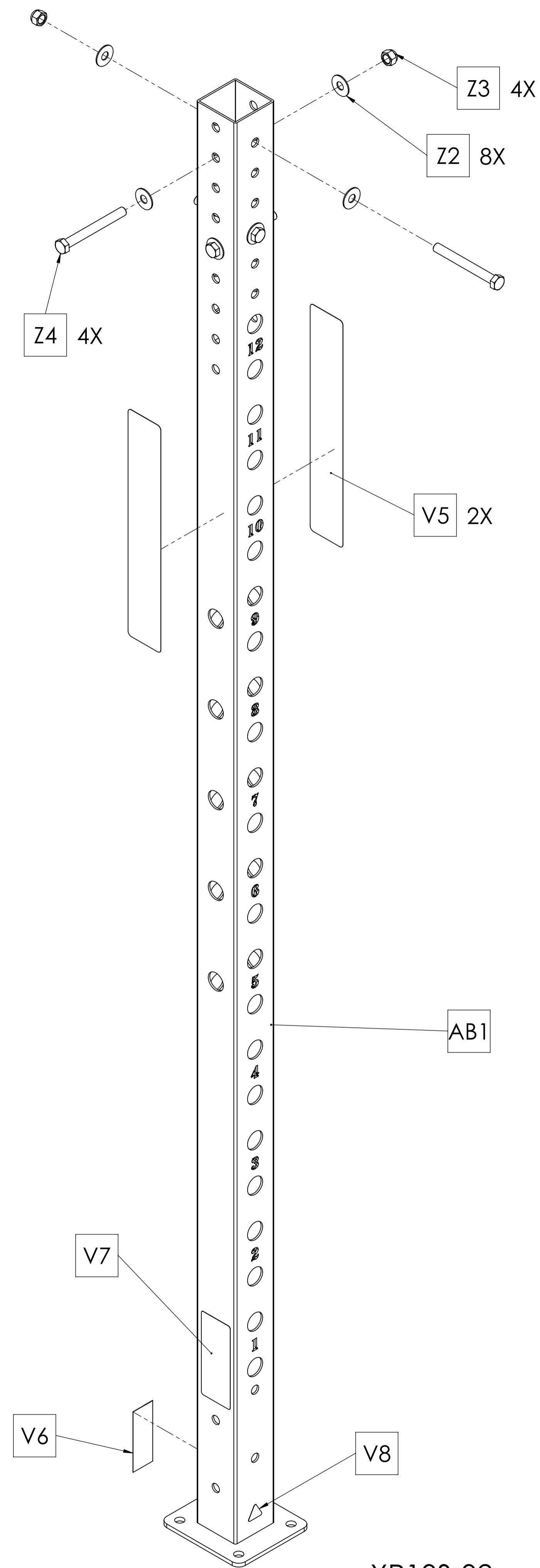
**XT-6-BO-8-02**  
BUMP OUT  
XT;BO 6' X 2' X 8'

**MATRIX**

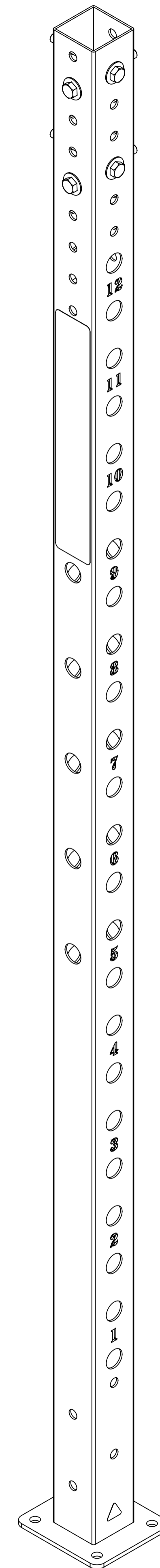
DWG NO. XT-6-BO-02 & XT-6-BO-8-02 SERVICE

DESCRIPTION:  
XT;BUMP OUT 6' X 2' (HEIGHT 9' OR 8')  
(POWER RACKS)

DRAWN BY: LMB	DATE: 2018.APR.04
UPDATED BY:	DATE:



XR10S-02  
XULT 8' UPRIGHT W/SERIAL# & MTG HW  
( SHOWN EXPLODED)



XR10-02  
XULT 8' UPRIGHT W/MTG HW

**MATRIX**

DWG NO.		XR10-02 SERIES SERVICE	
DESCRIPTION:		RIG;8FT UPRIGHT SERIES XULT	
DRAWN BY:	LMB	DATE:	2017.NOV.06
UPDATED BY:		DATE:	