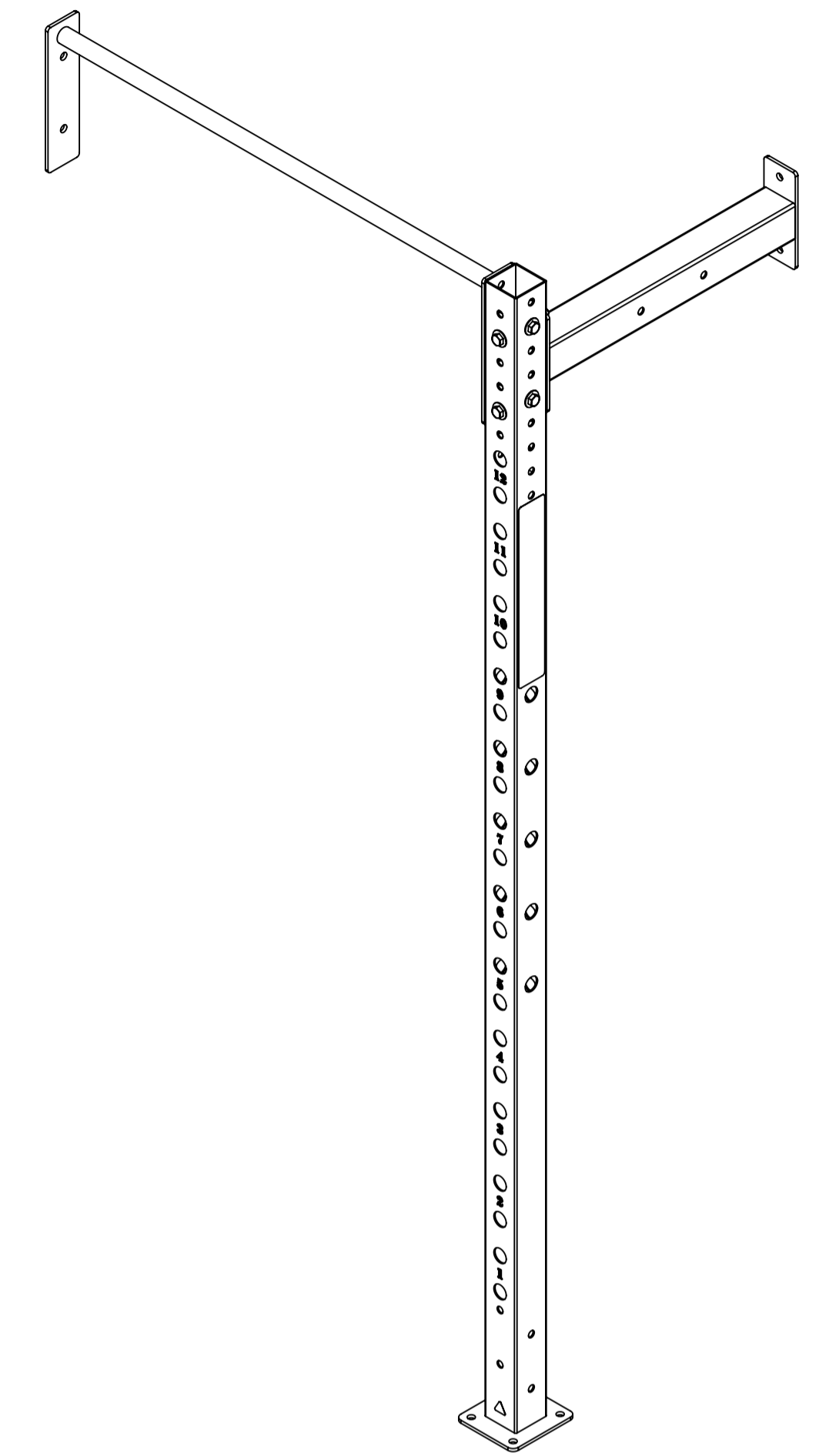


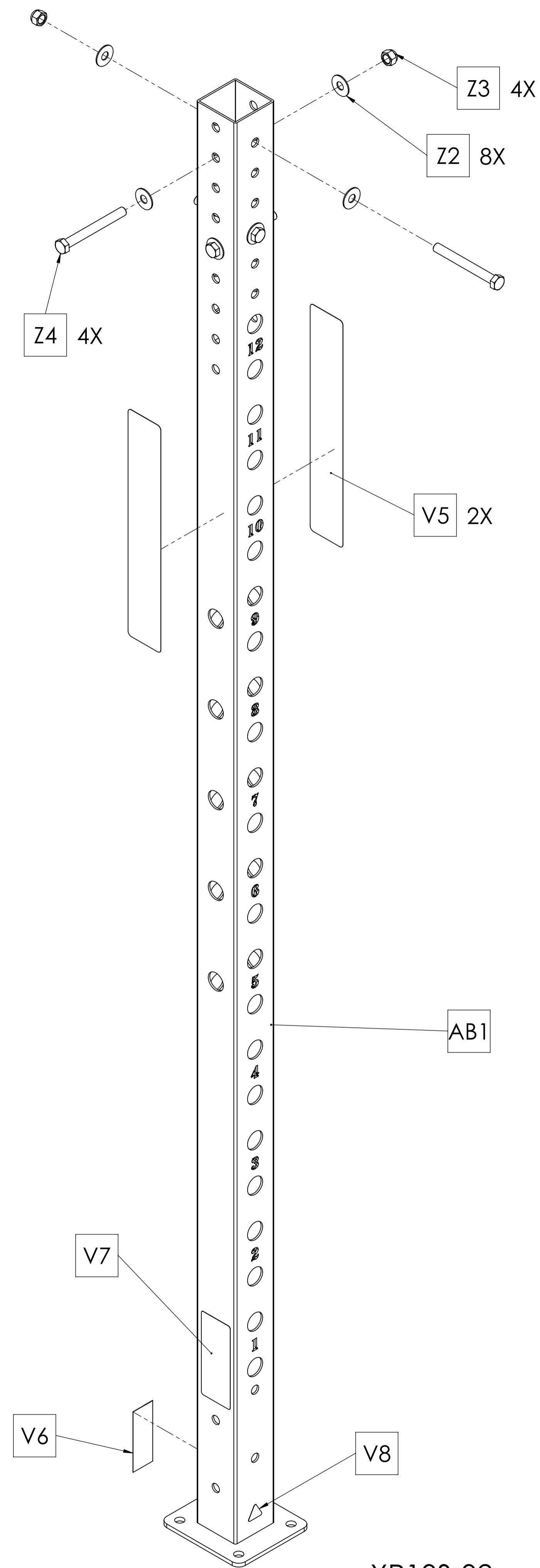
XA-4-BO-02
 BUMP OUT
 XA;BO 4' X 2' X 9'
 (SHOWN EXPLODED)



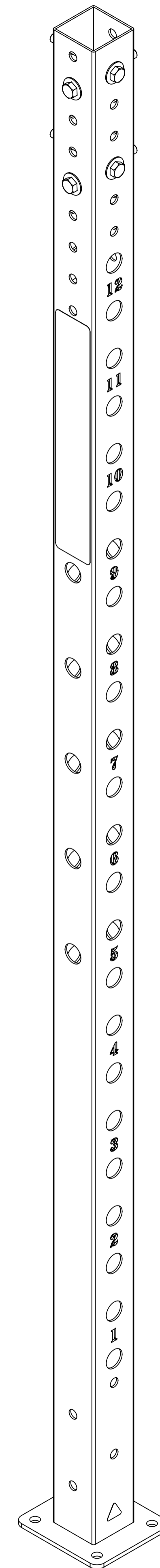
XA-4-BO-8-02
 BUMP OUT
 XA;BO 4' X 2' X 8'

MATRIX

DWG NO.		
XA-4-BO-02 & XA-4-BO-8-02 SERVICE		
DESCRIPTION:		
XA; BUMP OUT 4' X 2' (HEIGHT 9' OR 8') (POWER RACKS)		
DRAWN BY:	LMB	DATE: 2018.JUN.01
UPDATED BY:		DATE:



XR10S-02
XULT 8' UPRIGHT W/SERIAL# & MTG HW
(SHOWN EXPLODED)



XR10-02
XULT 8' UPRIGHT W/MTG HW

MATRIX

DWG NO.		XR10-02 SERIES SERVICE	
DESCRIPTION:		RIG;8FT UPRIGHT SERIES XULT	
DRAWN BY:	LMB	DATE:	2017.NOV.06
UPDATED BY:		DATE:	