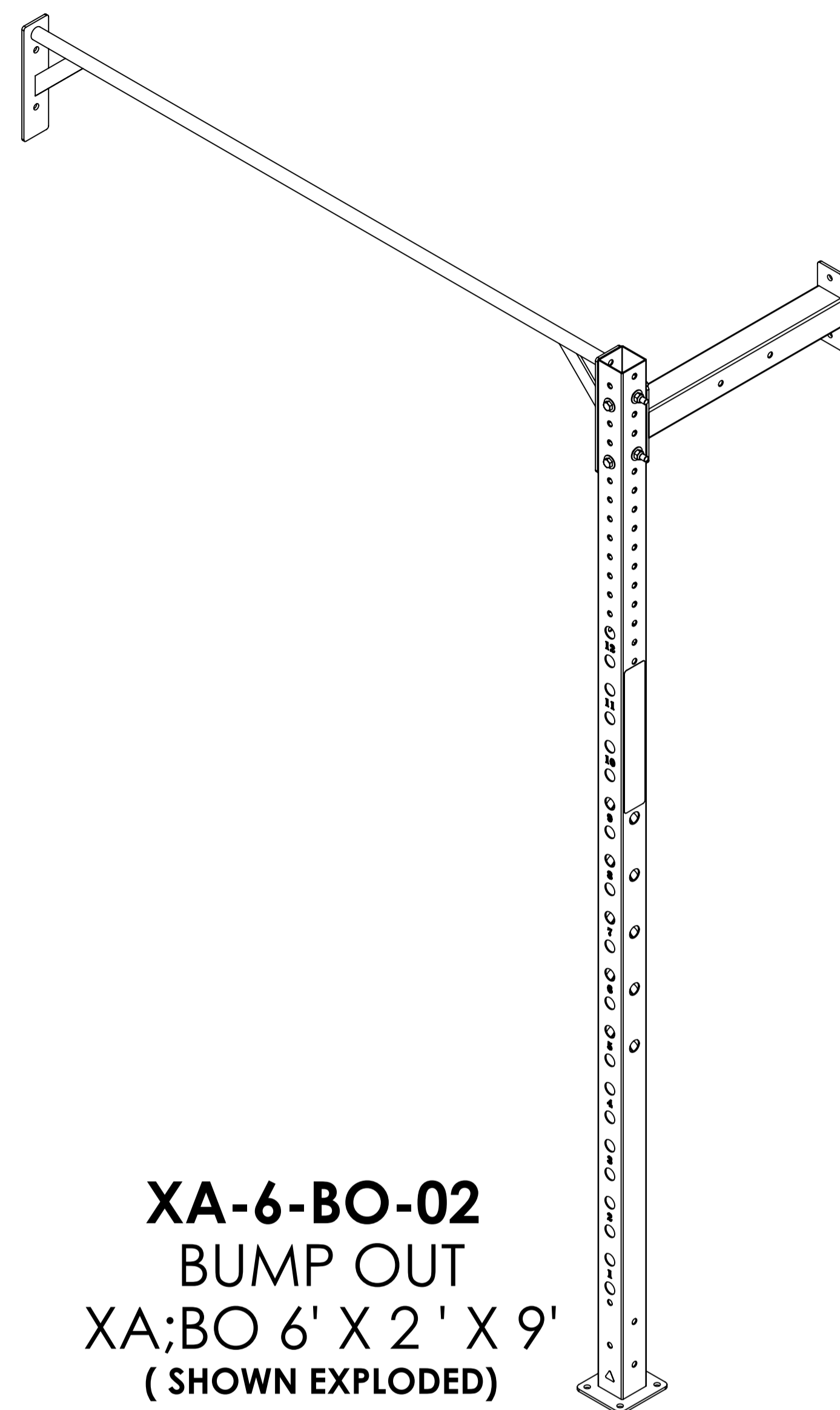
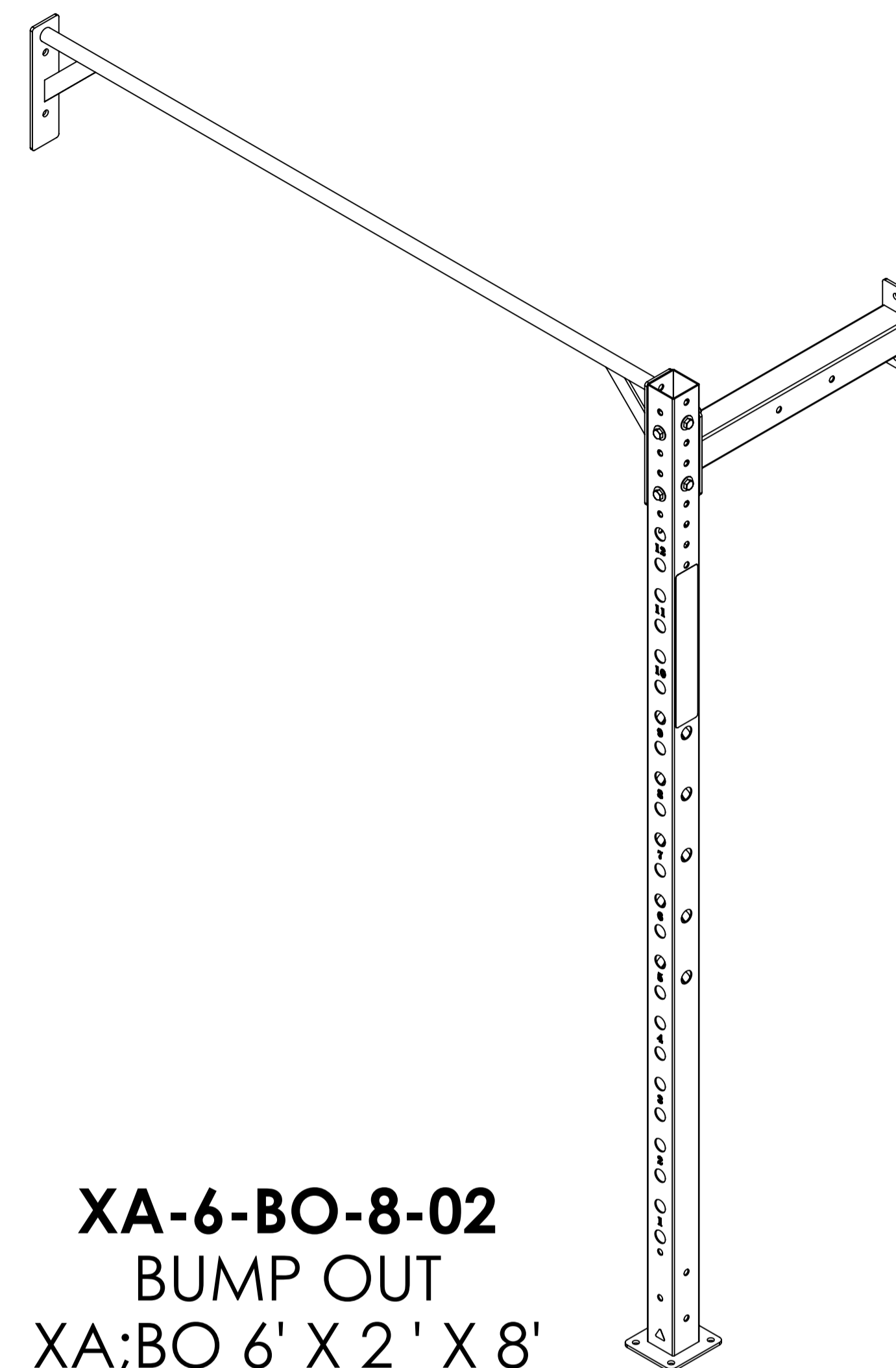


SEE UPRIGHT SHEET &  
BOM FOR PART NUMBER  
(IMAGE MAY VARY IN HEIGHT)



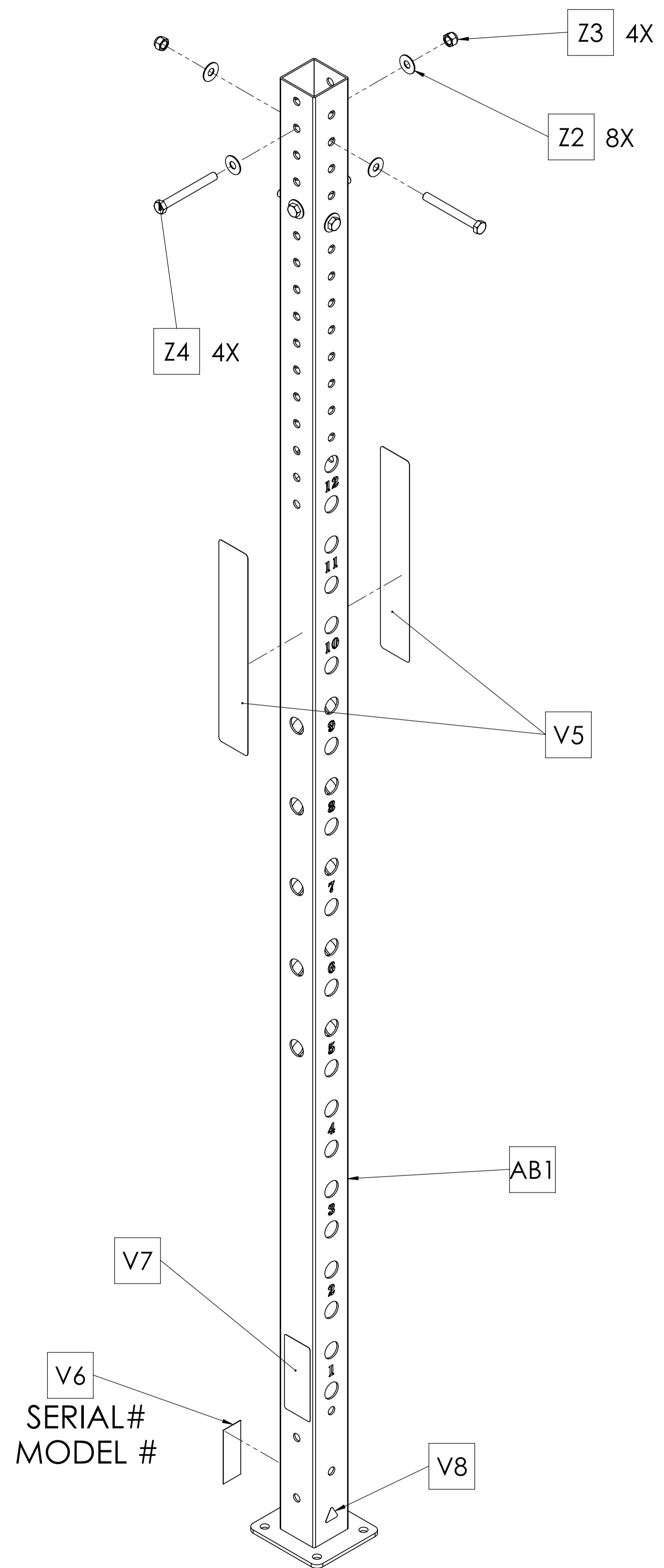
**XA-6-BO-02**  
BUMP OUT  
XA;BO 6' X 2' X 9'  
( SHOWN EXPLODED)



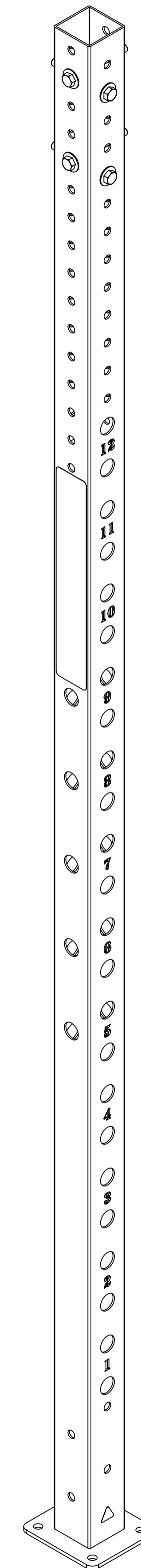
**XA-6-BO-8-02**  
BUMP OUT  
XA;BO 6' X 2' X 8''

**MATRIX**

DWG NO.		
XA-6-BO-02 & XA-6-BO-8-02 SERVICE		
DESCRIPTION:		
XA;BUMP OUT 6' X 2' (HEIGHT 9' OR 8') (POWER RACKS)		
DRAWN BY:	LMB	DATE: 2018.JUN.04
UPDATED BY:		DATE:



XR03S-02  
XULT 9' UPRIGHT W/SERIAL# & MTG HW  
**( SHOWN EXPLODED )**



XR03-02  
XULT 9' UPRIGHT W/MTG HW

**MATRIX**

DWG NO.		XR03-02 SERIES SERVICE	
DESCRIPTION:		RIG;9' UPRIGHT SERIES	
		XULT	
DRAWN BY:	LMB	DATE:	2017.NOV.03
UPDATED BY:		DATE:	