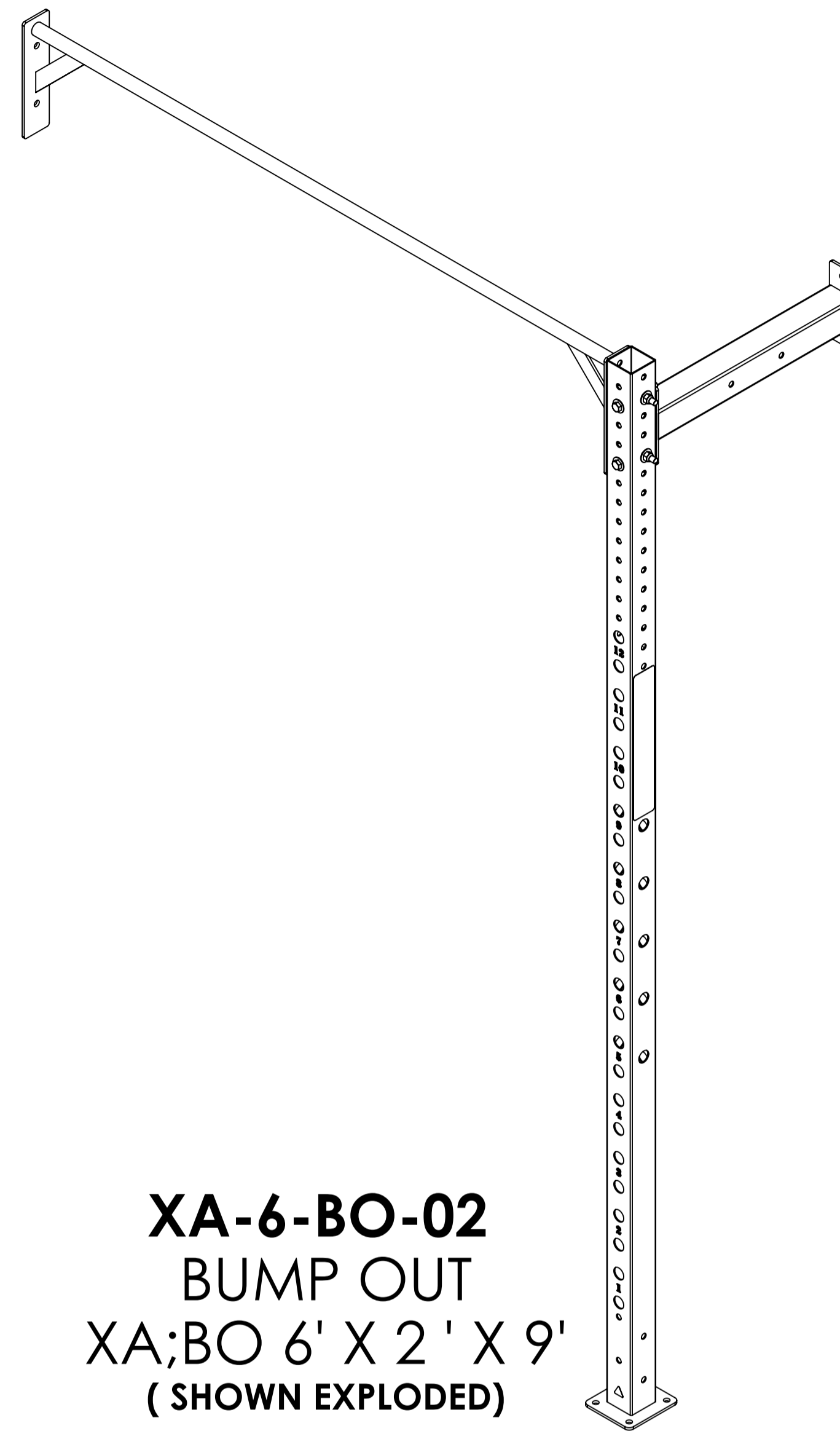
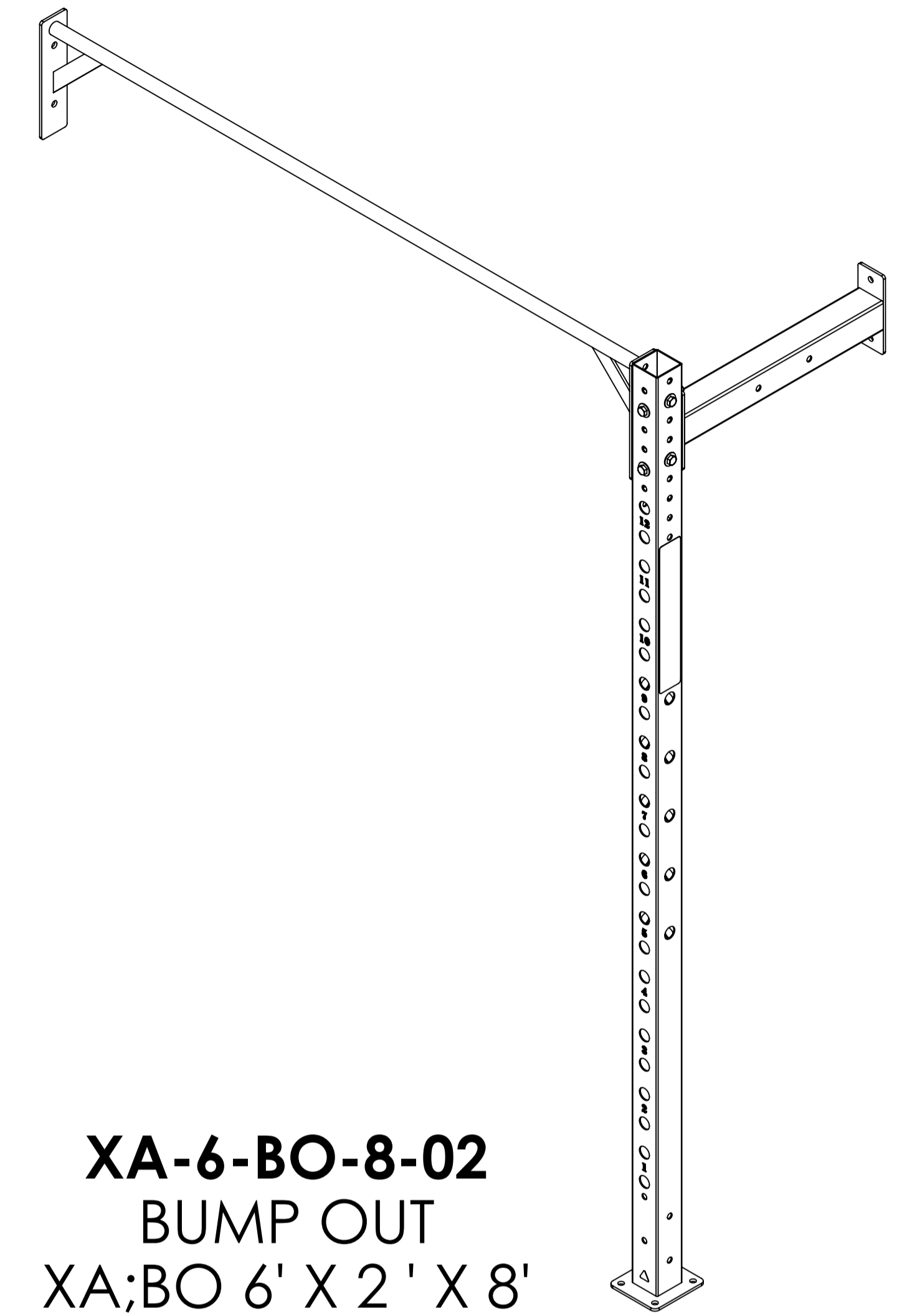


SEE UPRIGHT SHEET &
BOM FOR PART NUMBER
(IMAGE MAY VARY IN HEIGHT)



XA-6-BO-02
BUMP OUT
XA;BO 6' X 2' X 9'
(SHOWN EXPLODED)



XA-6-BO-8-02
BUMP OUT
XA;BO 6' X 2' X 8'

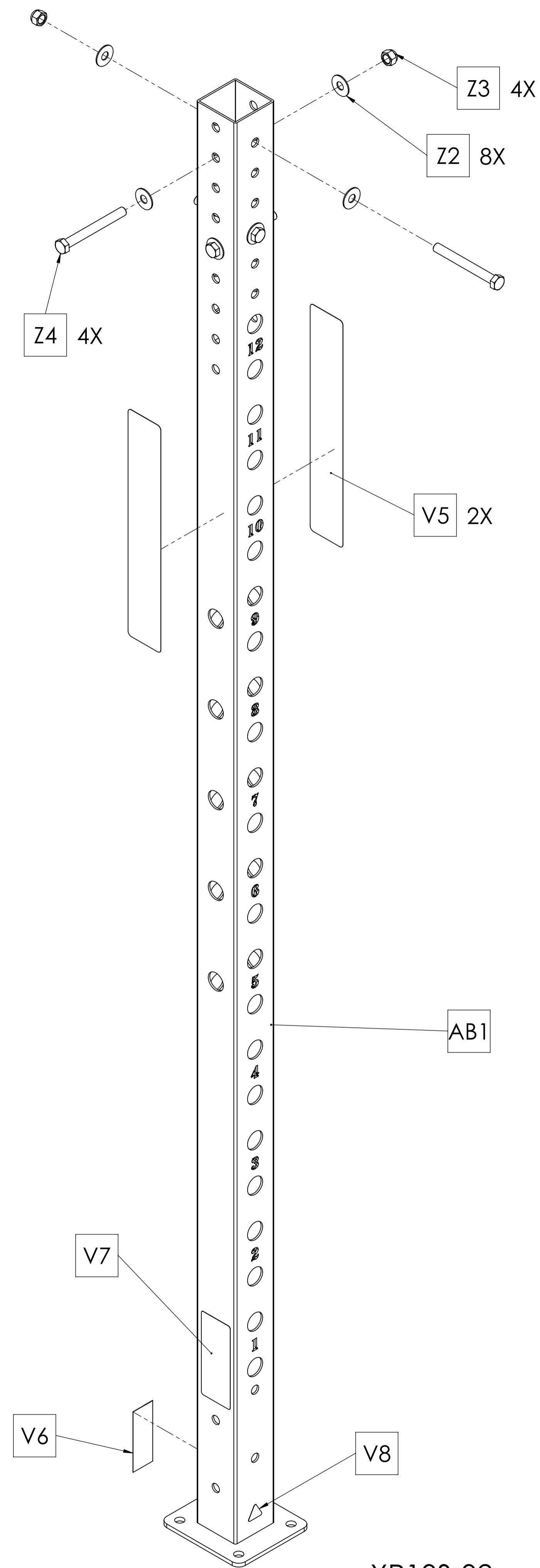
MATRIX

DWG NO. XA-6-BO-02 & XA-6-BO-8-02 SERVICE

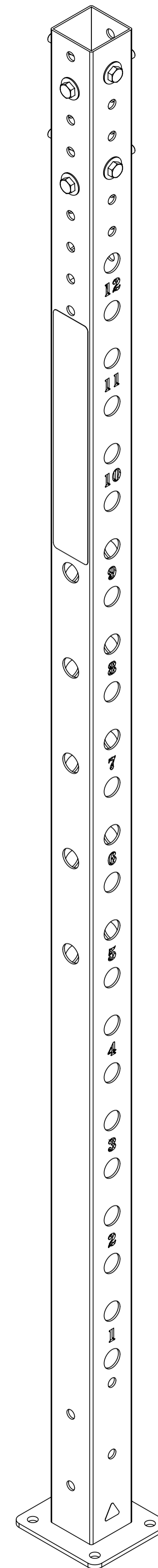
DESCRIPTION: XA;BUMP OUT 6' X 2' (HEIGHT 9' OR 8') (POWER RACKS)

DRAWN BY: LMB DATE: 2018.JUN.04

UPDATED BY: DATE:



XR10S-02
XULT 8' UPRIGHT W/SERIAL# & MTG HW
(SHOWN EXPLODED)



XR10-02
XULT 8' UPRIGHT W/MTG HW

MATRIX

| | | | |
|--------------|-----|--------------------------------|-------------|
| DWG NO. | | XR10-02 SERIES SERVICE | |
| DESCRIPTION: | | RIG;8FT UPRIGHT SERIES XULT | |
| DRAWN BY: | LMB | DATE: | 2017.NOV.06 |
| UPDATED BY: | | DATE: | |