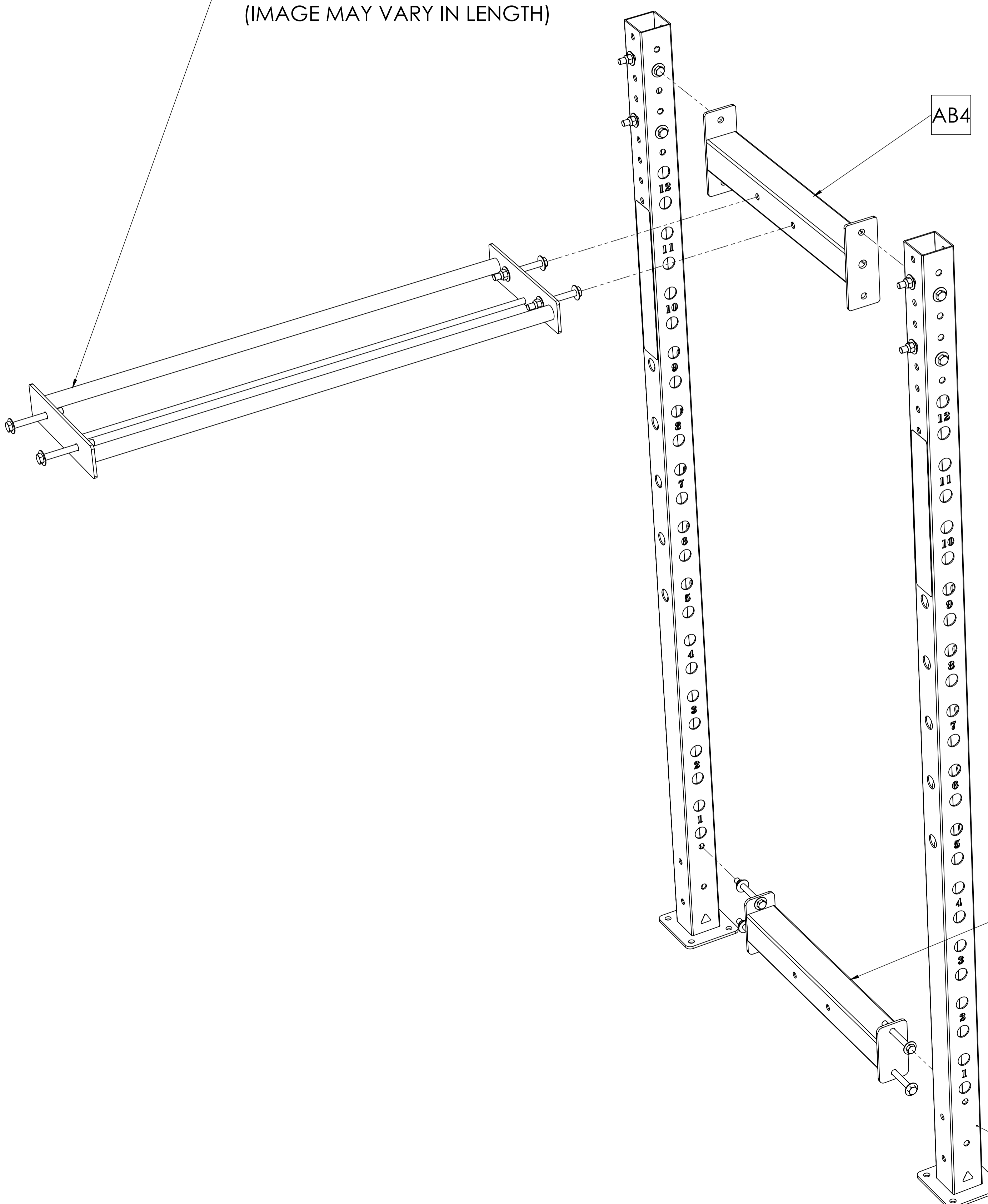


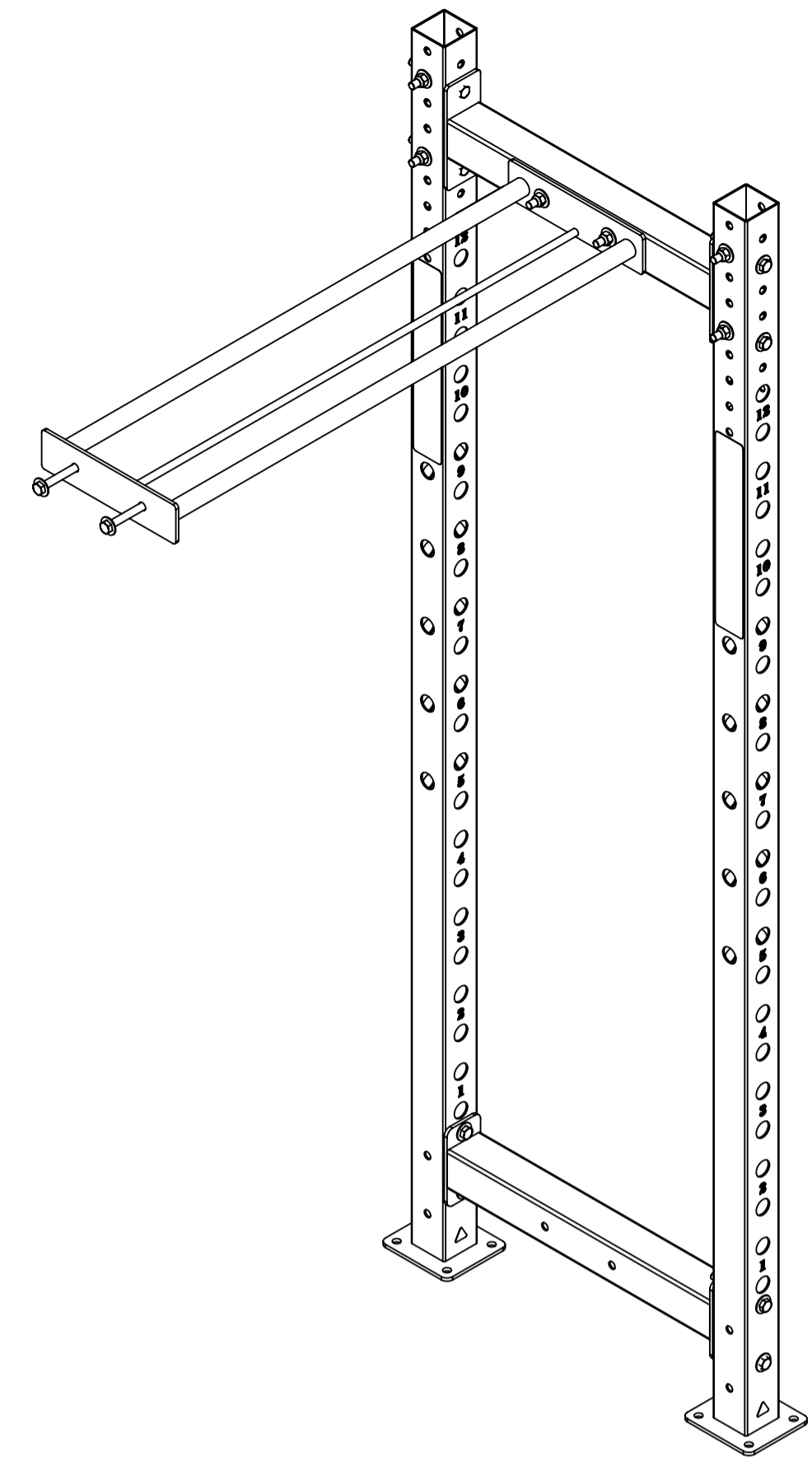
SEE MB/SB SHELF SHEET &
BOM FOR PART NUMBER
(IMAGE MAY VARY IN LENGTH)



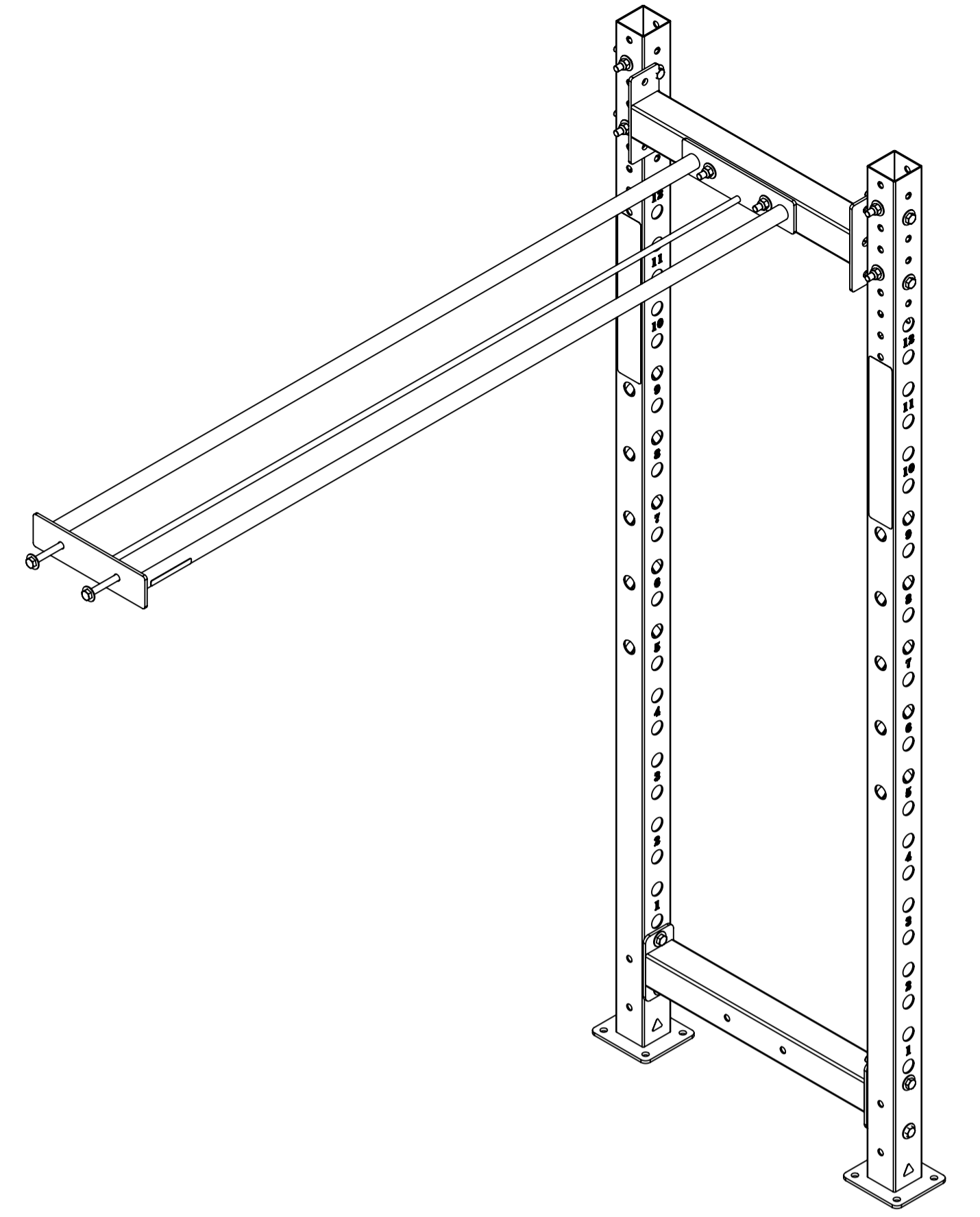
AB4

SEE 2' SUPPORT BASE SHEET

SEE UPRIGHT SHEET
2 PLACES



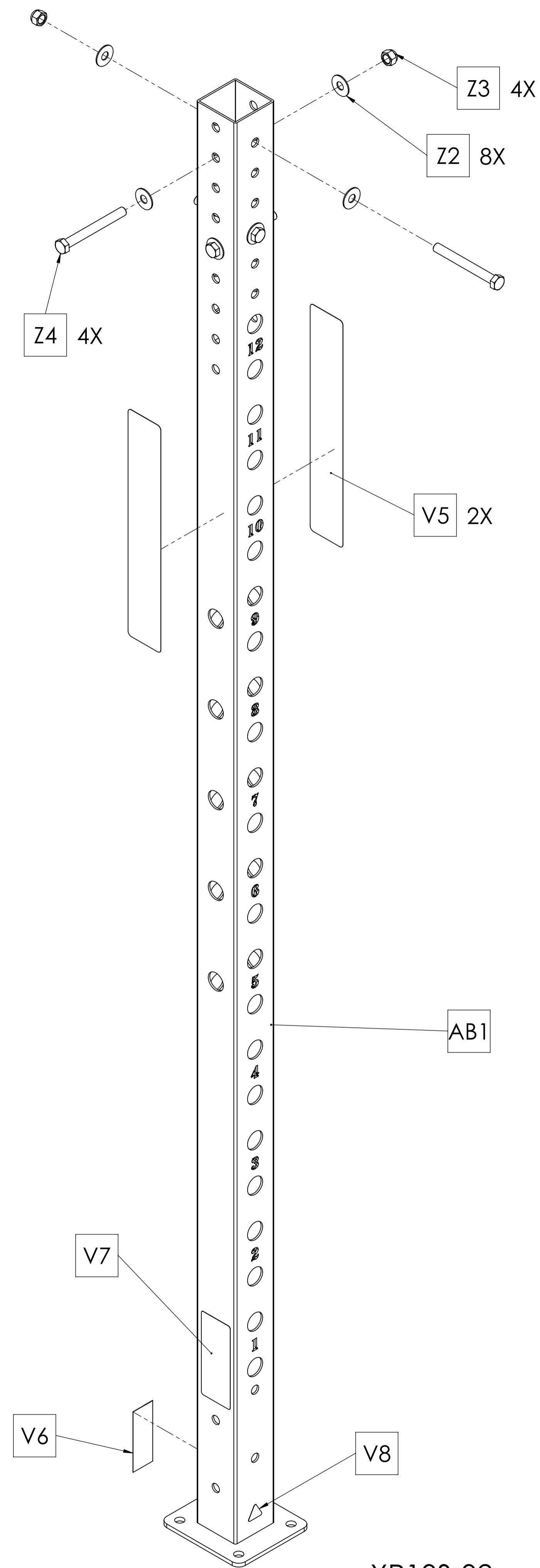
XA-4-DEN-08-02
STORAGE EXTENSION
4' X 2' X 8'
(SHOWN EXPLODED)



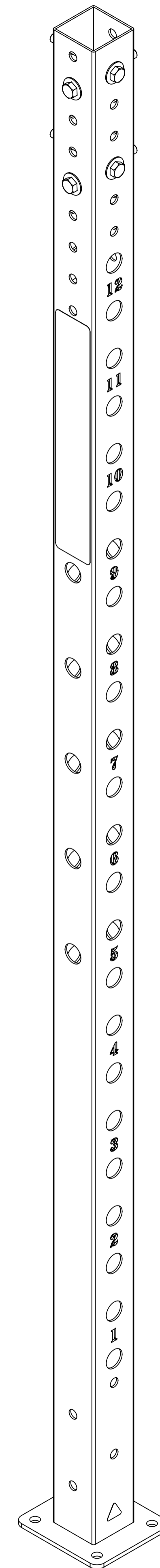
XA-6-DEN-08-02
STORAGE EXTENSION
6' X 2' X 8'

MATRIX

DWG NO.		
XA-4-DEN-8-02 & XA-6-DEN-8-02 SERVICE		
DESCRIPTION:		
Xult;DEN EXT (Length 4' or 6') X 2' X 8' (XULT STORAGE)		
DRAWN BY:	LMB	DATE: 2018.JUN.26
UPDATED BY:		DATE:



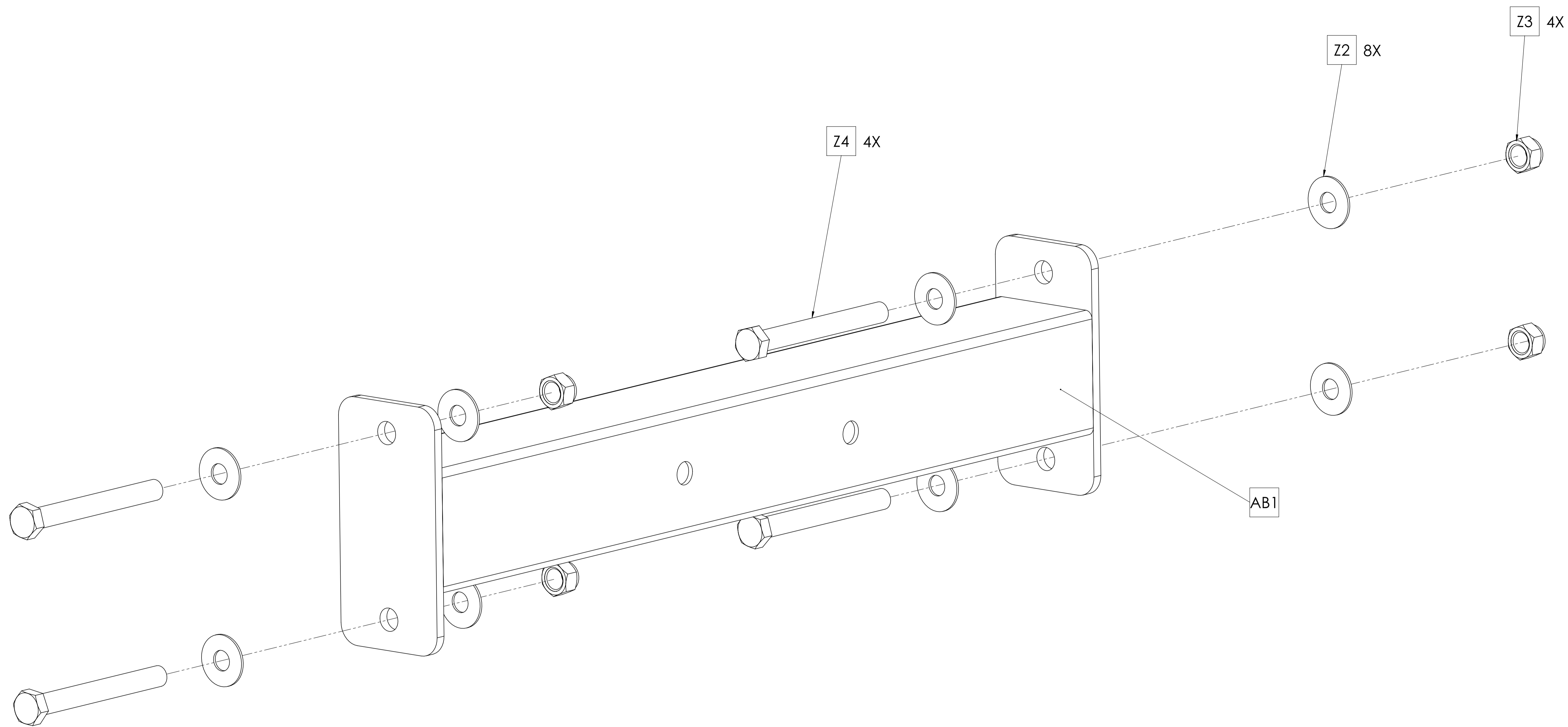
XR10S-02
XULT 8' UPRIGHT W/SERIAL# & MTG HW
(SHOWN EXPLODED)



XR10-02
XULT 8' UPRIGHT W/MTG HW

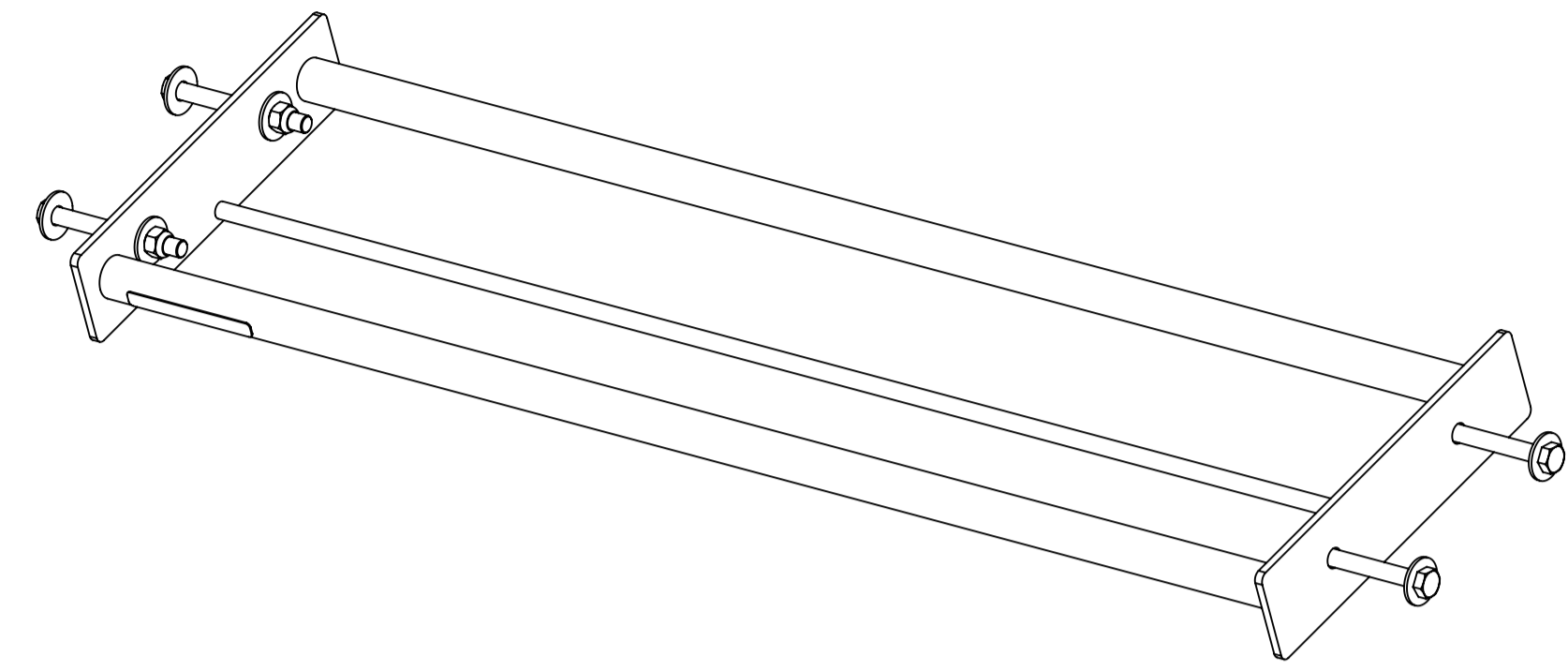
MATRIX

DWG NO.		XR10-02 SERIES SERVICE	
DESCRIPTION:		RIG;8FT UPRIGHT SERIES XULT	
DRAWN BY:	LMB	DATE:	2017.NOV.06
UPDATED BY:		DATE:	

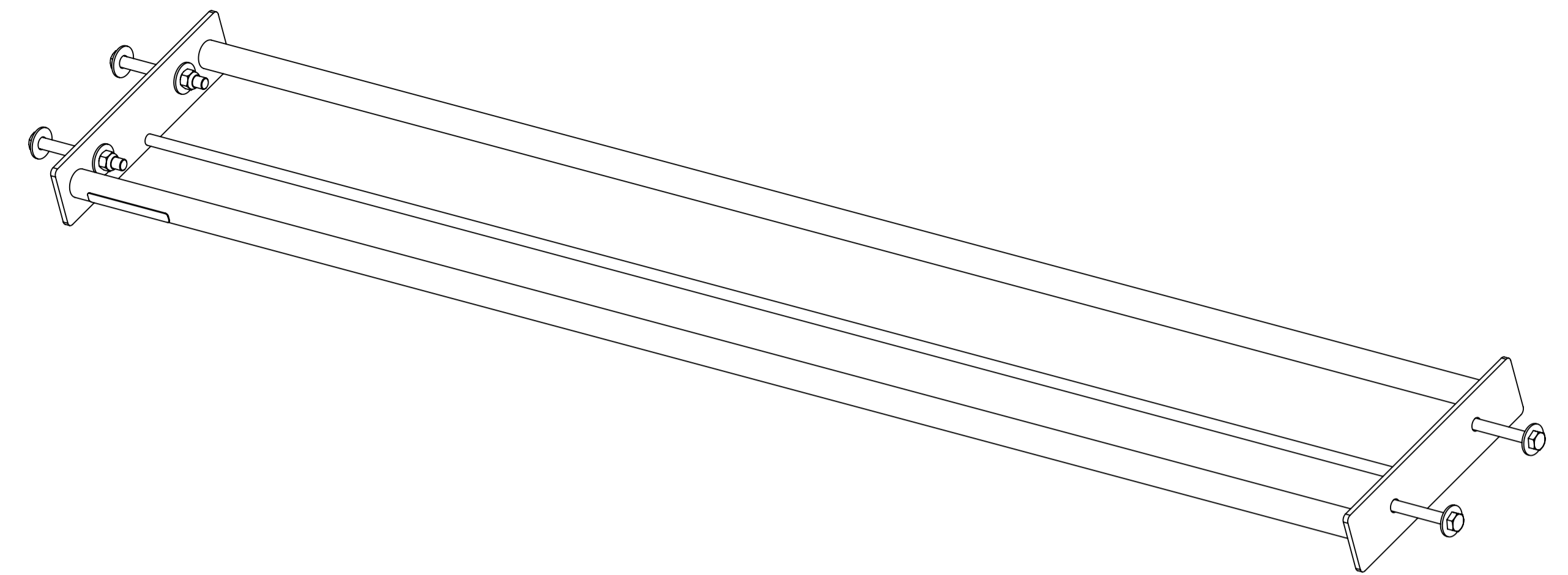


MATRIX

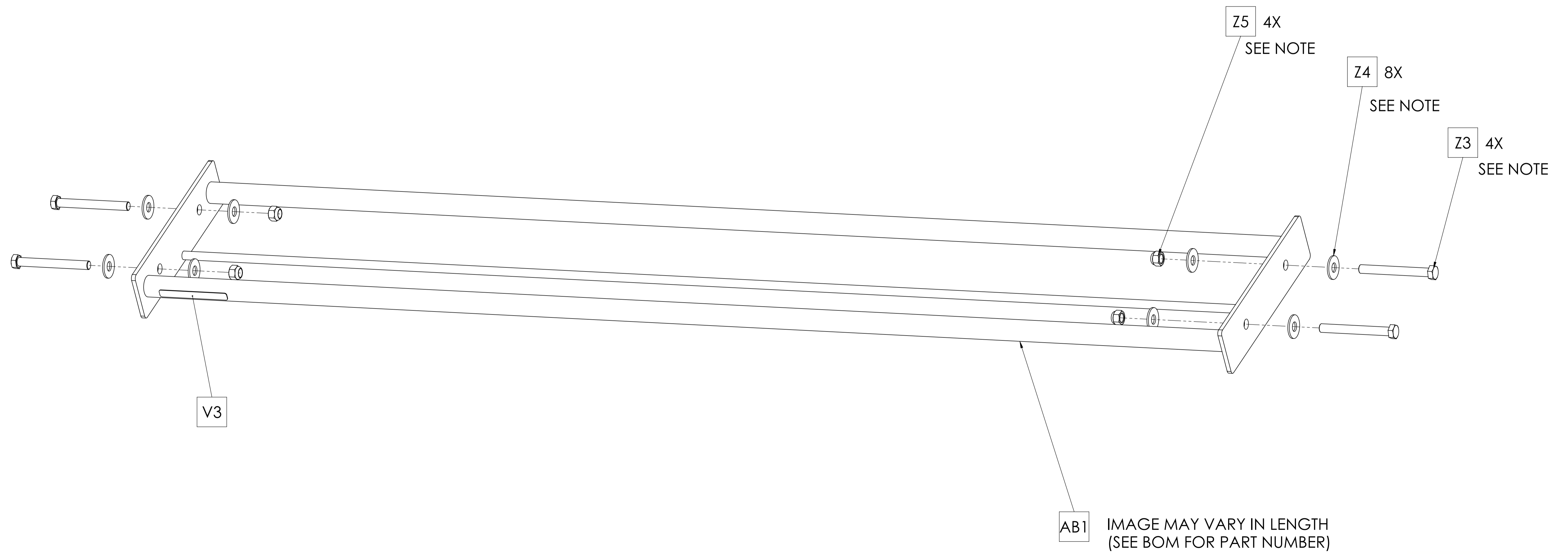
DWG NO.		XR31-02 SERVICE	
DESCRIPTION:		XULT;RIG 2' SUPPORT BASE W/HW (XULT)	
DRAWN BY:	LMB	DATE:	2018.JUN.07
UPDATED BY:		DATE:	



MB/SB SHELF 42"



MB/SB SHELF 70"
(SHOWN EXPLODED)



NOTE: SUPPORT MOUNTING HARDWARE PROVIDED
 UPRIGHT MOUNTING REQUIRES XS11-02 LINEAR SHELF MTG AND/OR XS18-02 SR SHELF MTG

MATRIX			
DWG NO. XS01-02 & XS02-02 SERVICE			
DESCRIPTION: MB/SB SHELF XULT			
DRAWN BY:	LMB	DATE:	2017.NOV.03
UPDATED BY:	LMB	DATE:	2018.APR.02