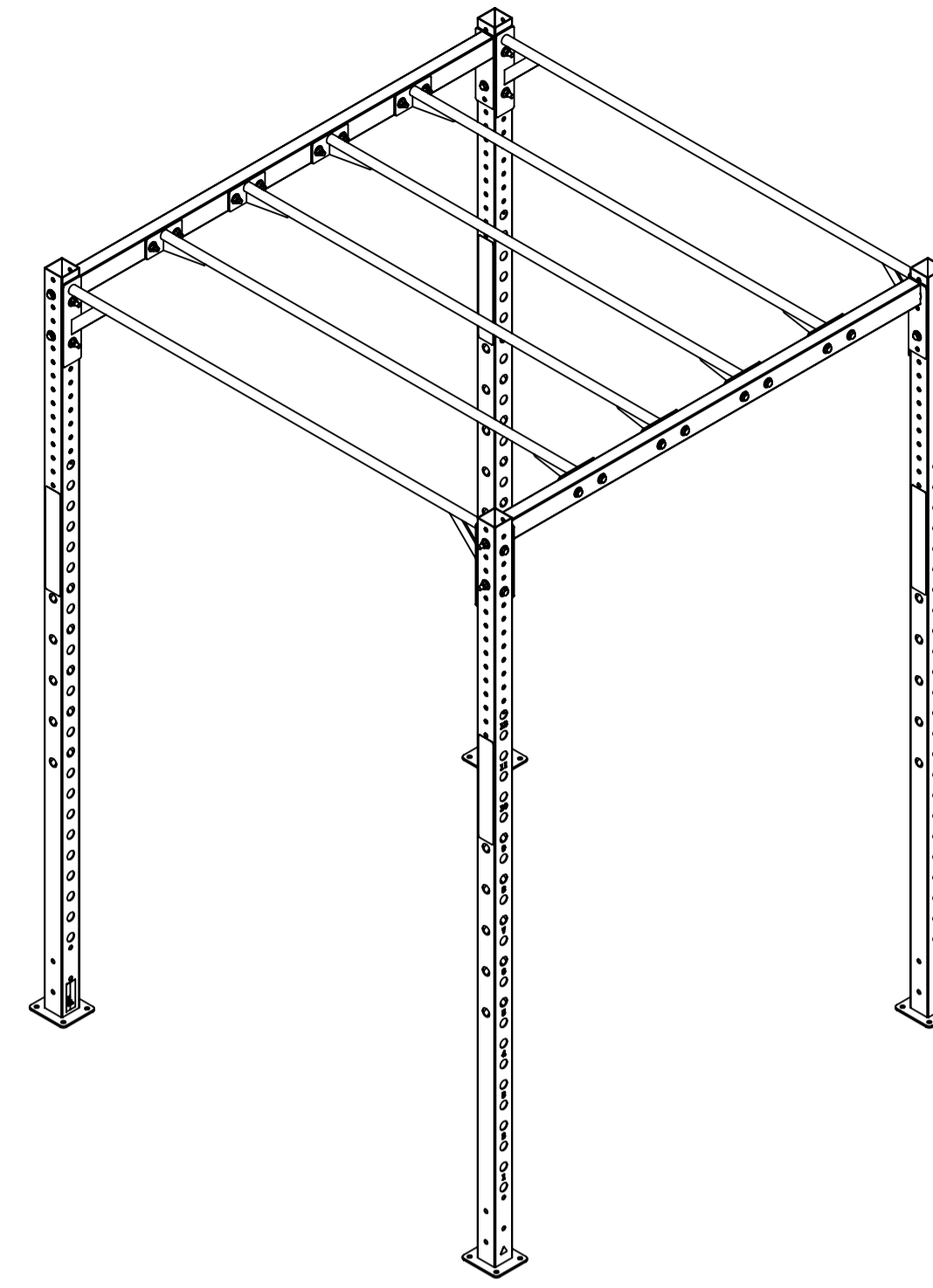
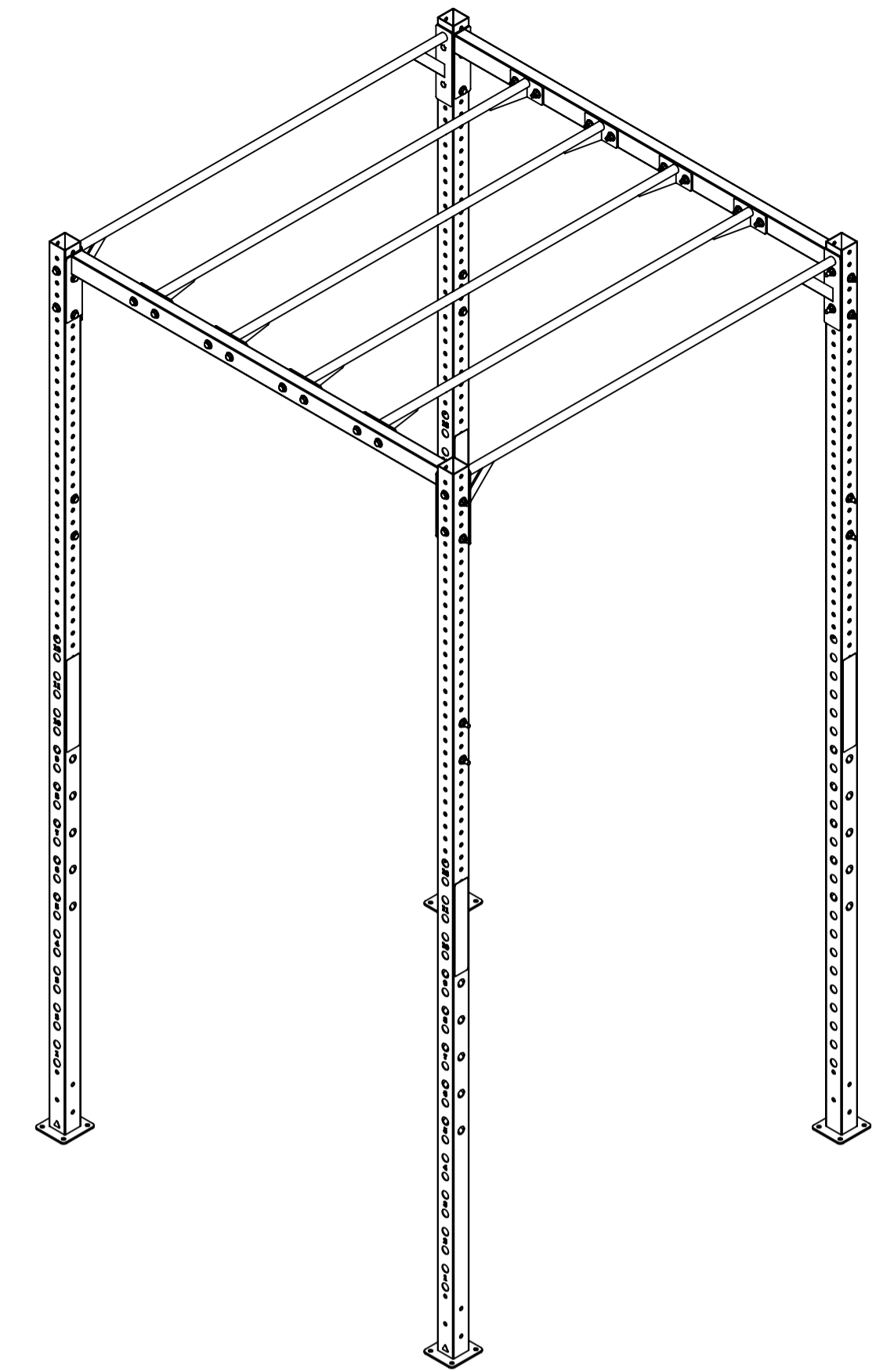


XT-6-MON-8-02
MONKEY BARS
 XT;RIG MON 6' X 6' X 8'



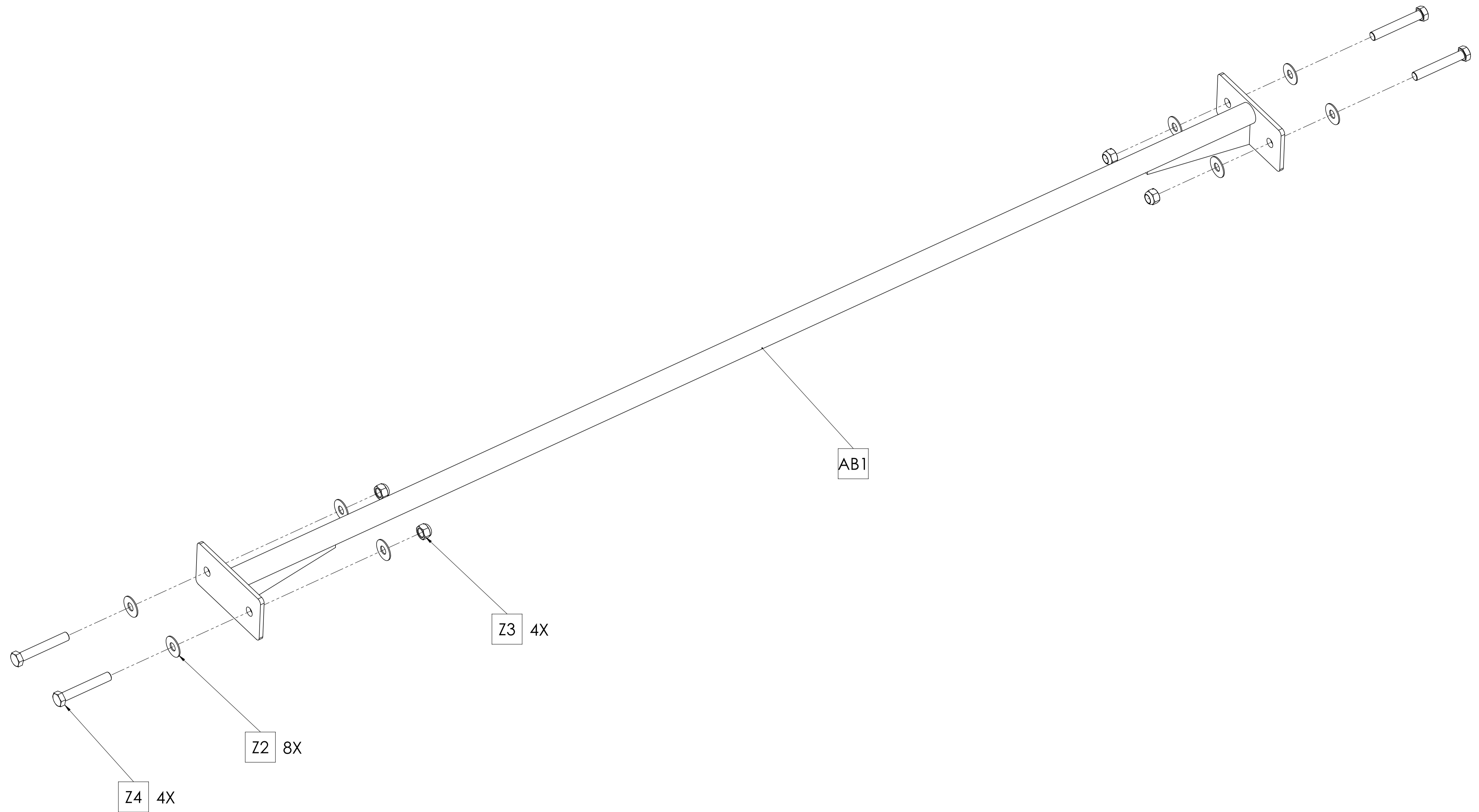
XT-6-MON-02
MONKEY BARS
 XT;RIG MON 6' X 6' X 9'



XT-6-MON-12-02
MONKEY BARS
 XT;RIG MON 6' X 6' X 12'
(SHOWN EXPLODED)

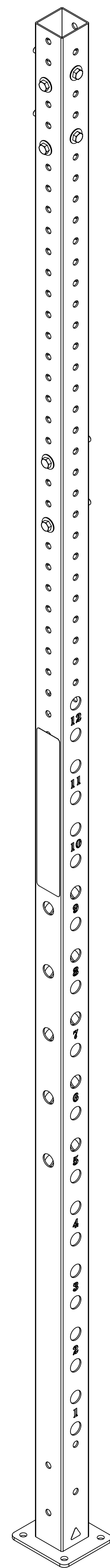
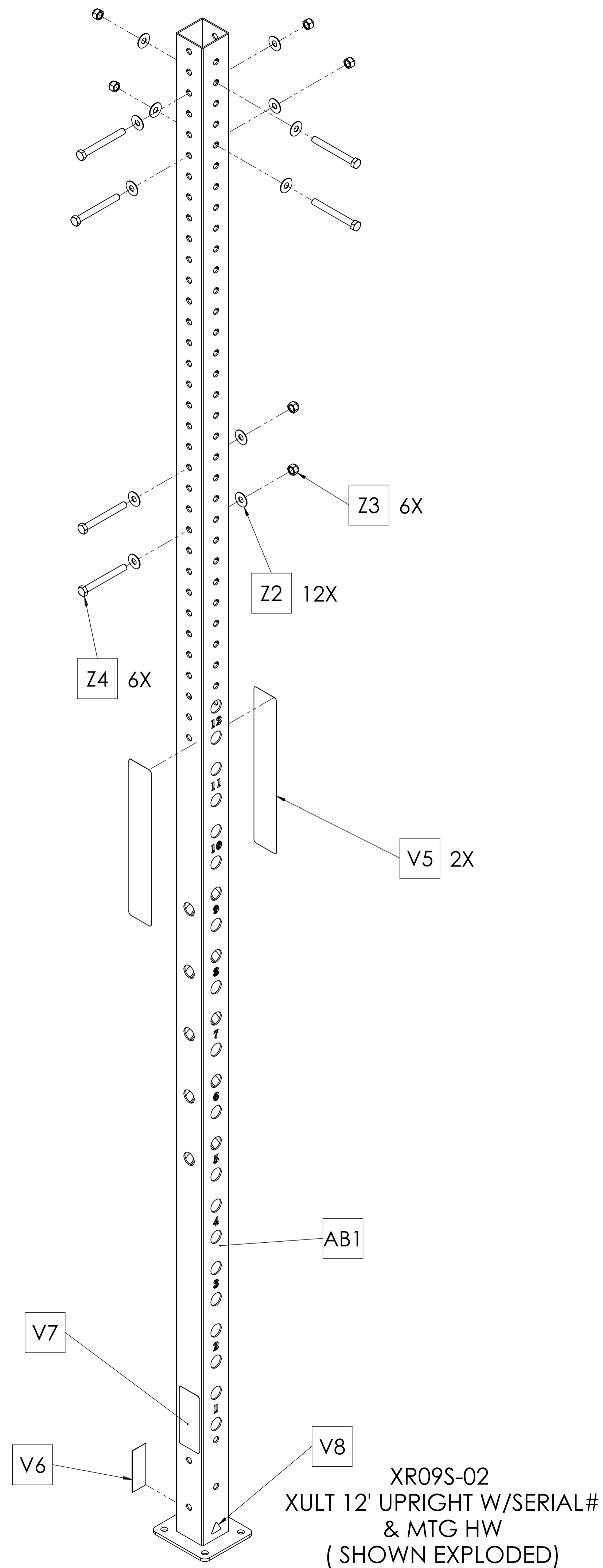
MATRIX

DWG NO.		
XT-6-MON-02, XT-6-MON-8-02 & XT-6-MON-12-02 SERVICE		
DESCRIPTION:		
XT;RIG MONKEY BAR 6' X 6' (8', 9' or 12') XULT		
DRAWN BY:	LMB	DATE: 2018.JUL.02
UPDATED BY:		DATE:



MATRIX

DWG NO.		XR07-02 SERVICE	
DESCRIPTION:		RIG CHIN(MONKEY) BAR XULT	
DRAWN BY:	LMB	DATE:	2017.NOV.03
UPDATED BY:		DATE:	



XR09-02
XULT 12' UPRIGHT
& MTG HW

MATRIX

DWG NO.		XR09-02 SERIES SERVICE	
DESCRIPTION:		RIG;12FT UPRIGHT SERIES	
		XULT	
DRAWN BY:	LMB	DATE:	2017.NOV.06
UPDATED BY:		DATE:	