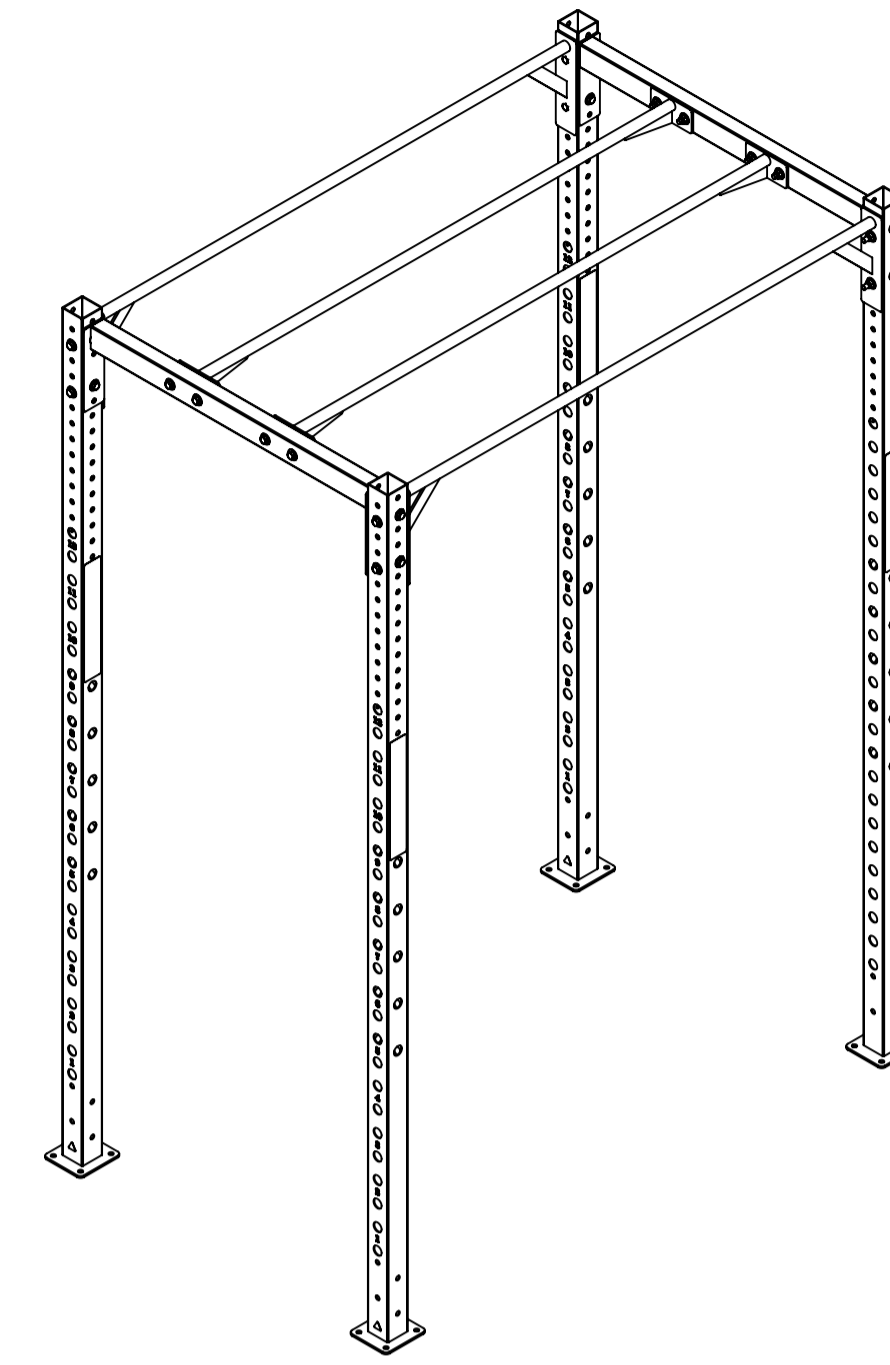
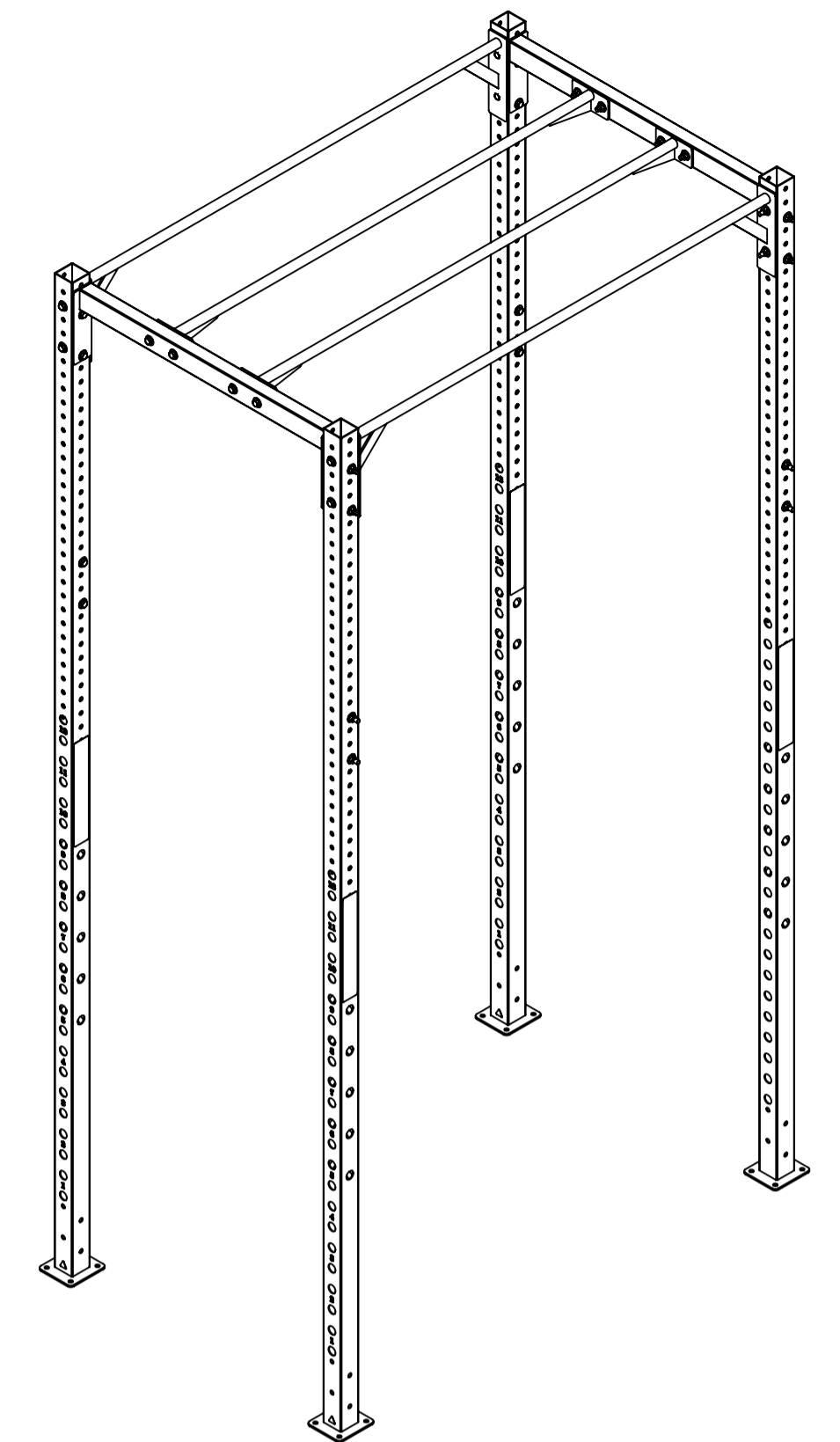


XT-4-MON-8-02
MONKEY BARS
XT;RIG MON 4' X 6' X 8'



XT-4-MON-02
MONKEY BARS
XT;RIG MON 4' X 6' X 9'



XT-4-MON-12-02
MONKEY BARS
XT;RIG MON 4' X 6' X 12'
(SHOWN EXPLODED)

SEE UPRIGHT SHEET & BOM FOR PART NUMBER
(IMAGE MAY VARY IN HEIGHT)
3 PLACES

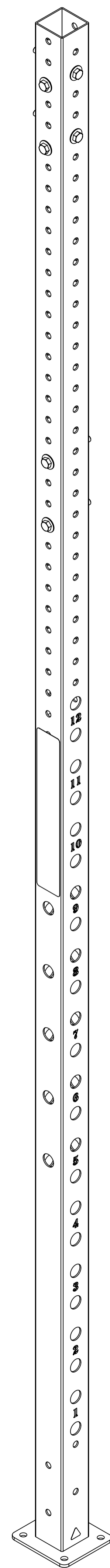
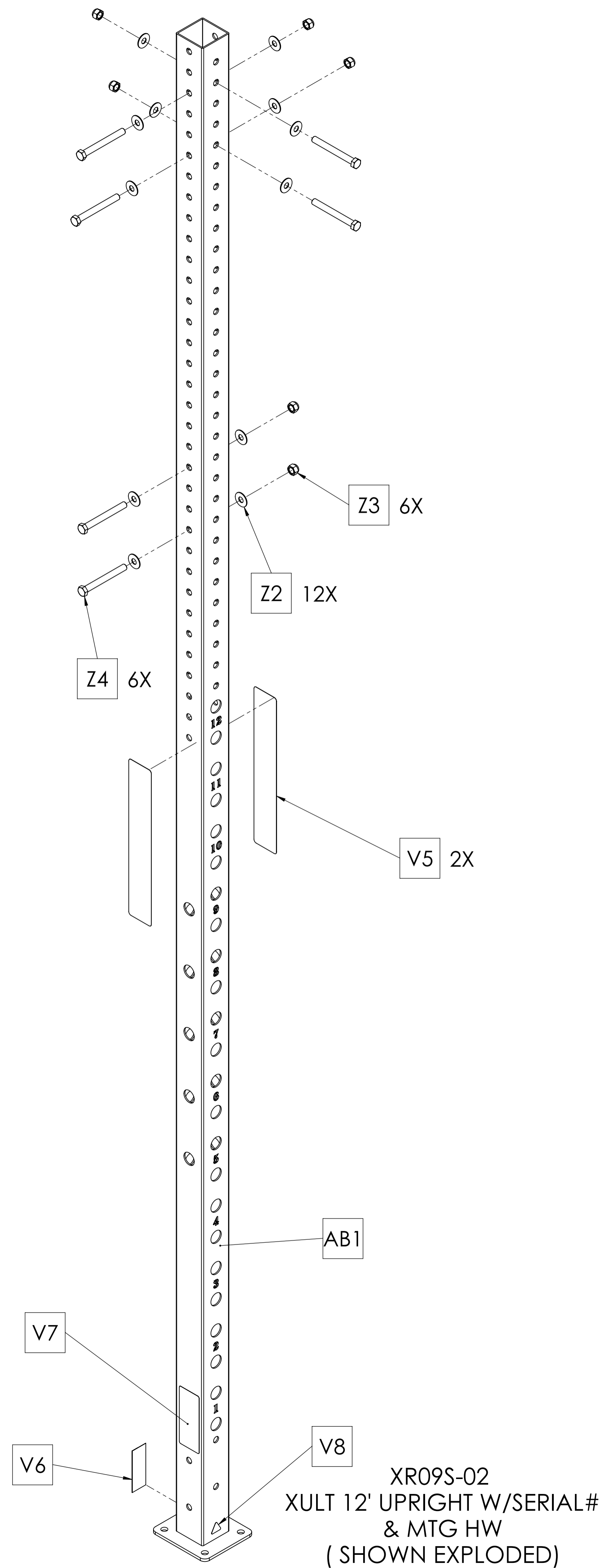
MATRIX

DWG NO. XT-4-MON-02, XT-4-MON-8-02 & XT-4-MON-12-02 SERVICE

DESCRIPTION: XT;RIG MONKEY BAR 4' X 6' (8', 9' or 12') XULT

DRAWN BY: LMB DATE: 2018.JUL.02

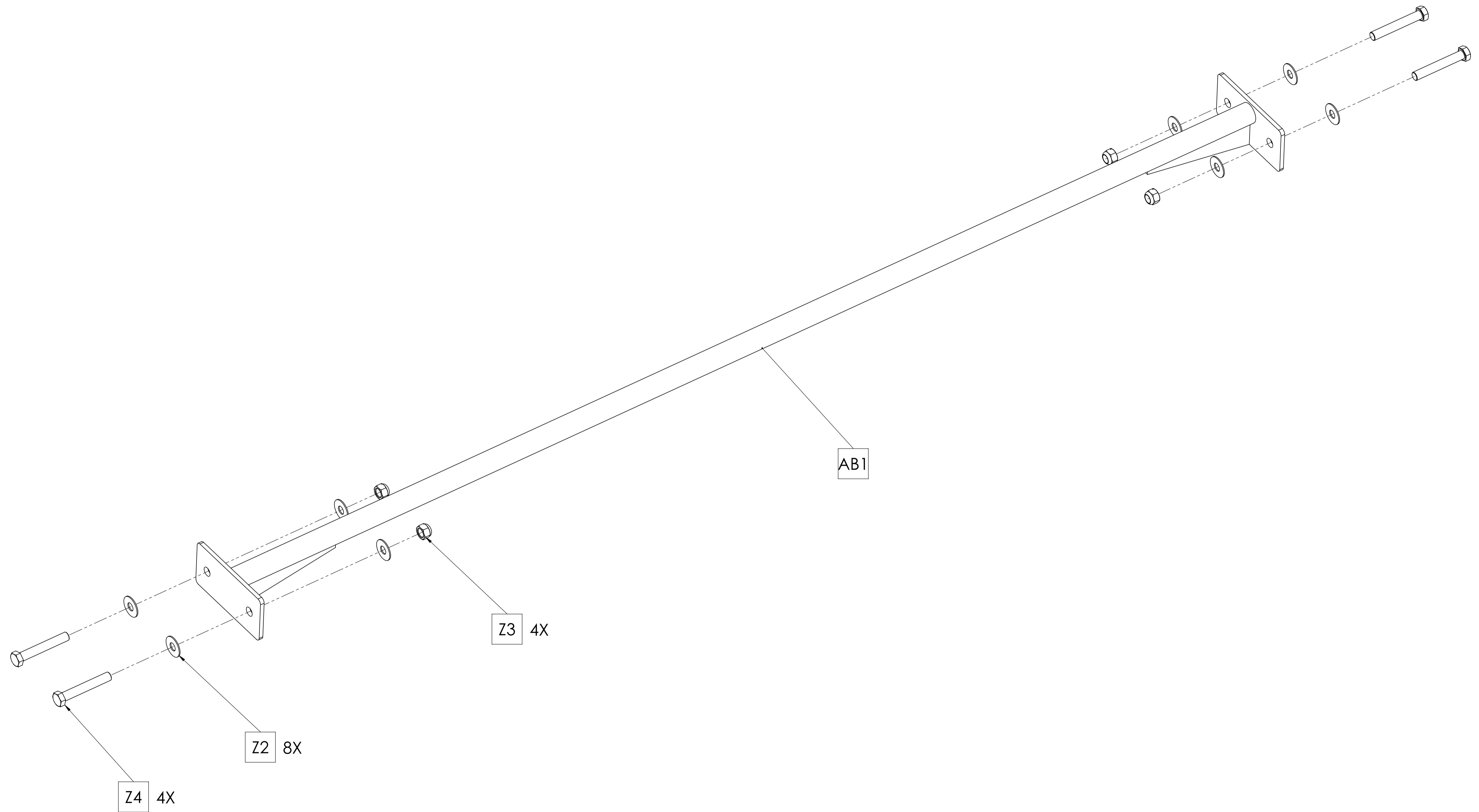
UPDATED BY: DATE:



XR09-02
XULT 12' UPRIGHT
& MTG HW

MATRIX

DWG NO.		XR09-02 SERIES SERVICE	
DESCRIPTION:		RIG;12FT UPRIGHT SERIES	
		XULT	
DRAWN BY:	LMB	DATE:	2017.NOV.06
UPDATED BY:		DATE:	



MATRIX

DWG NO.		XR07-02 SERVICE	
DESCRIPTION:		RIG CHIN(MONKEY) BAR XULT	
DRAWN BY:	LMB	DATE:	2017.NOV.03
UPDATED BY:		DATE:	