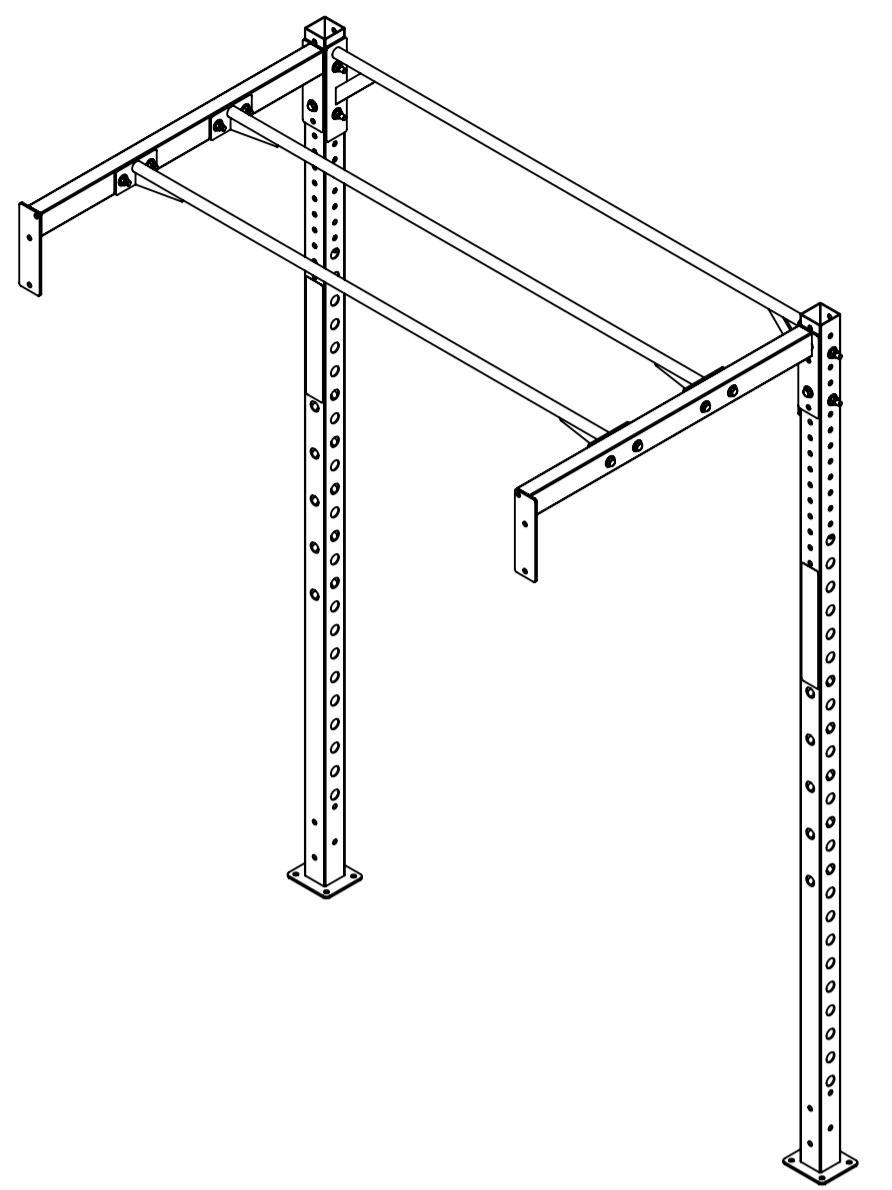
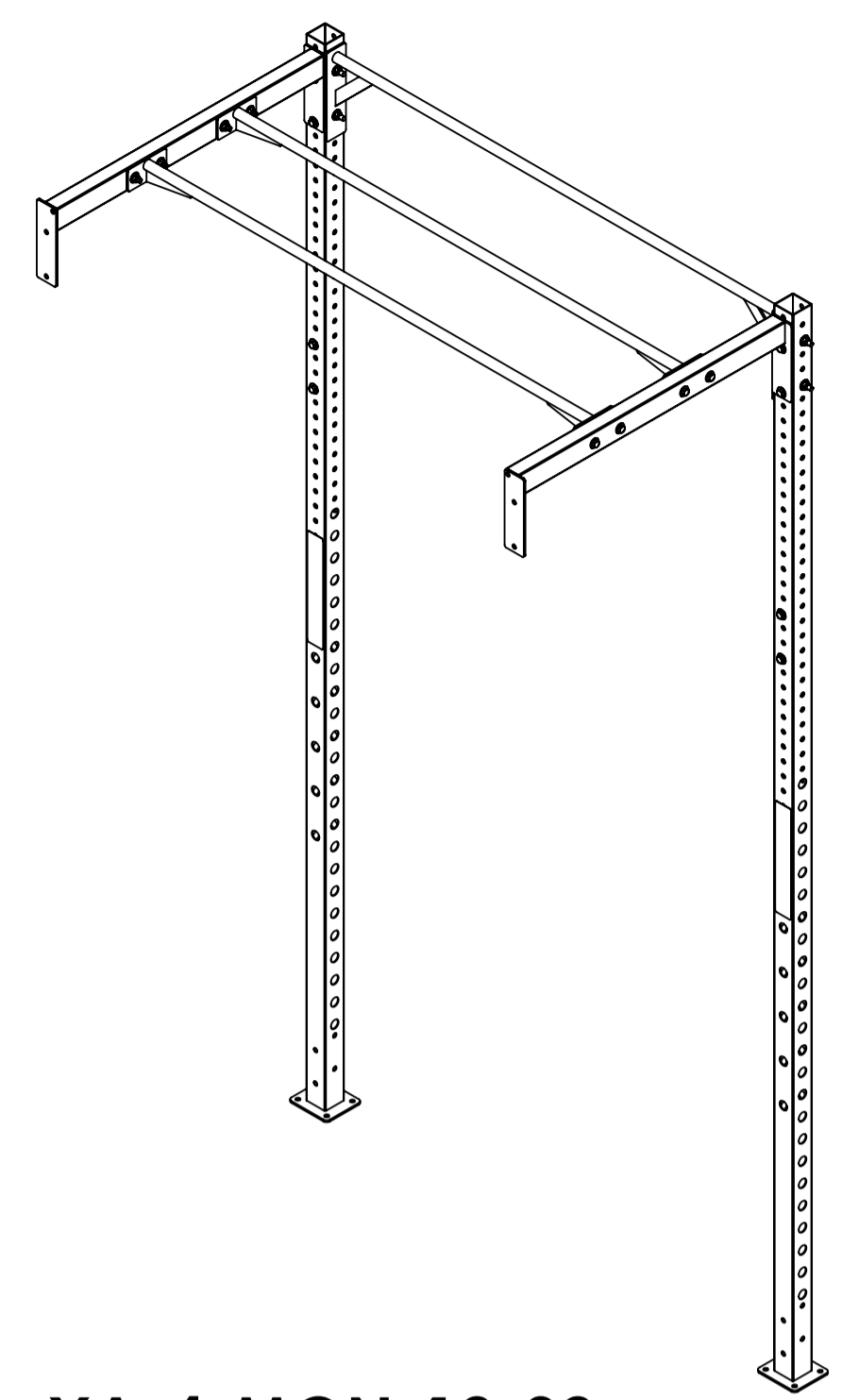


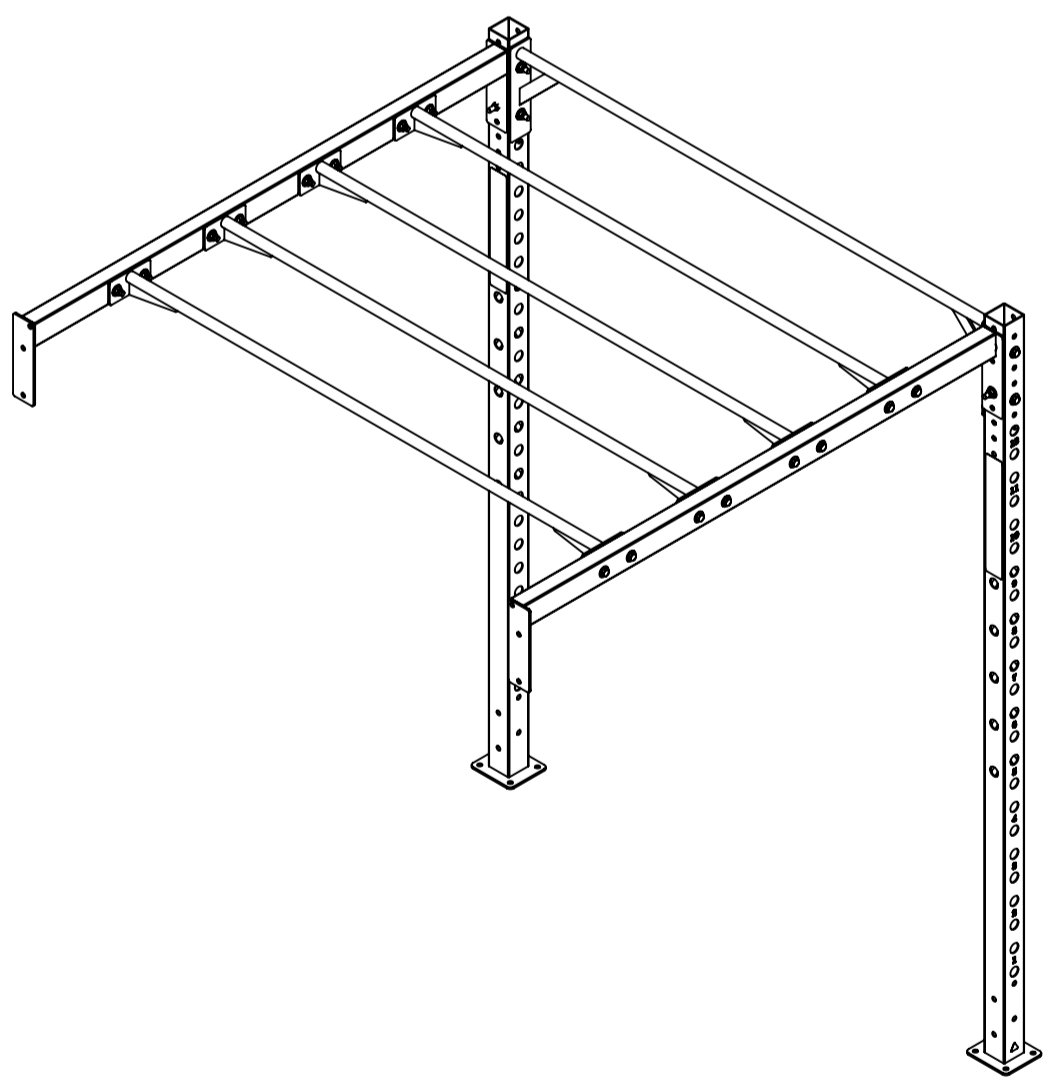
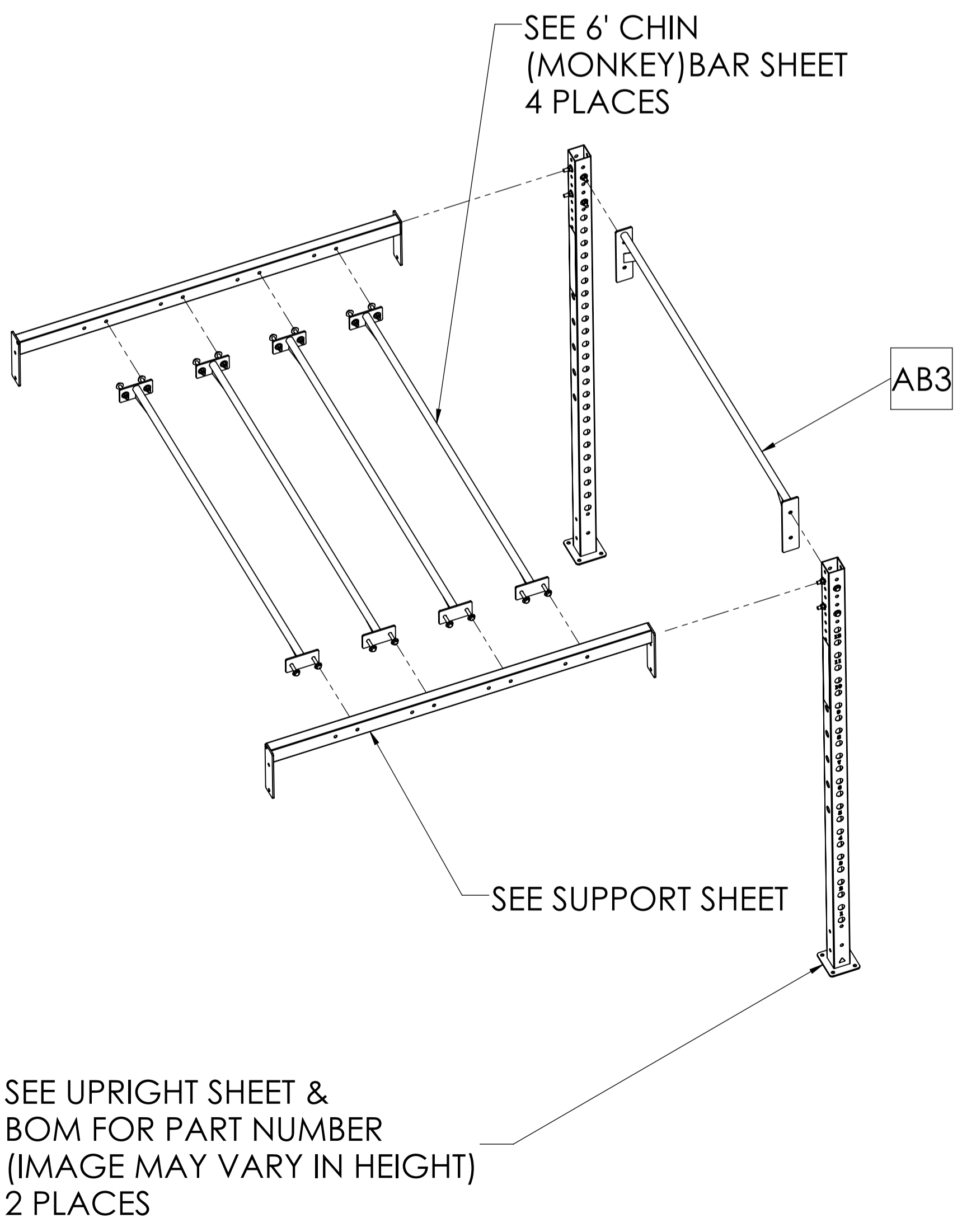
XA-4-MON-8-02
 MONKEY BAR EXTENSION
 XA;RIG MON 4' X 6' X 8'
 (SHOWN EXPLODED)



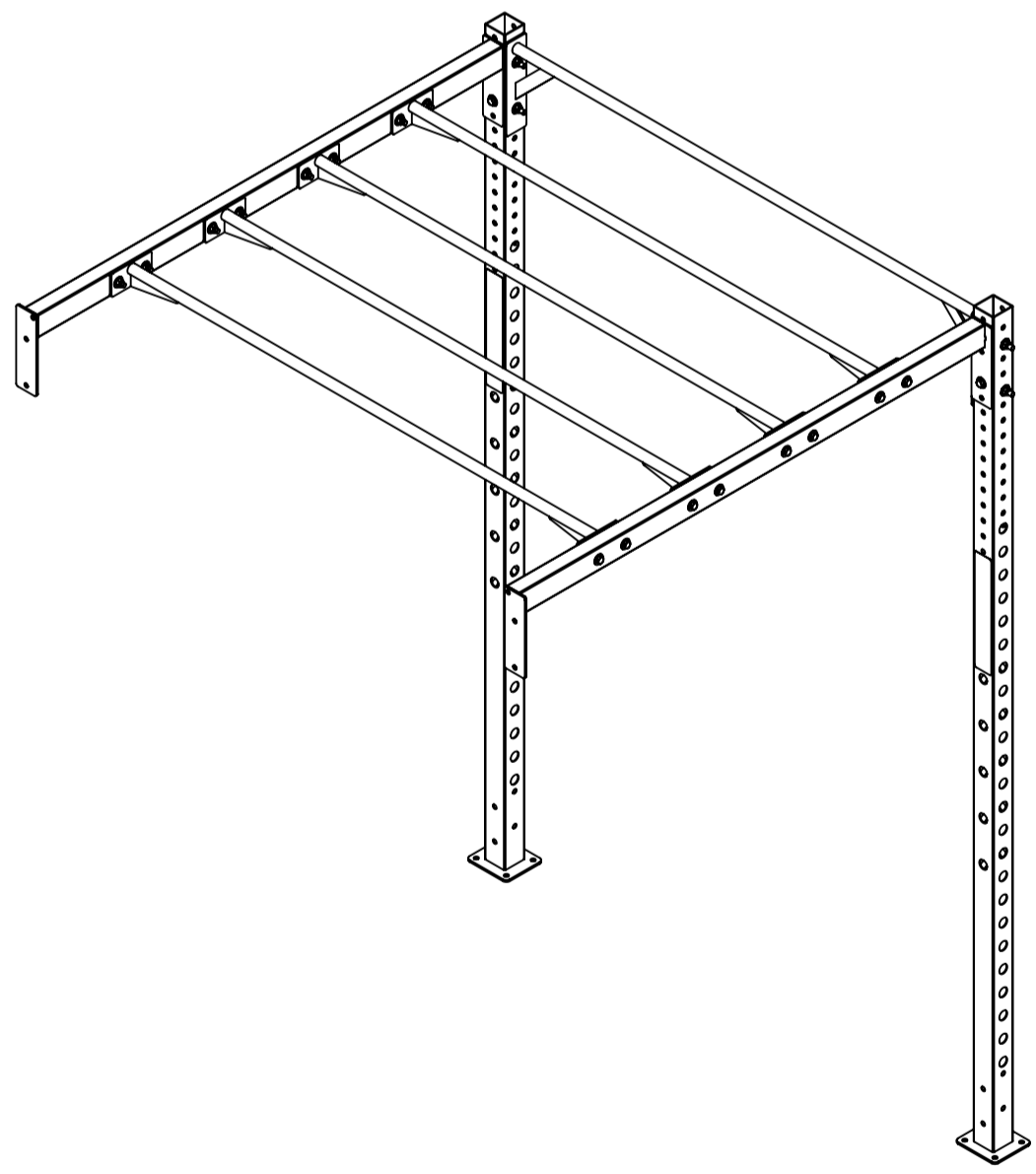
XA-4-MON-02
 MONKEY BAR EXTENSION
 XA;RIG MON 4' X 6' X 9'



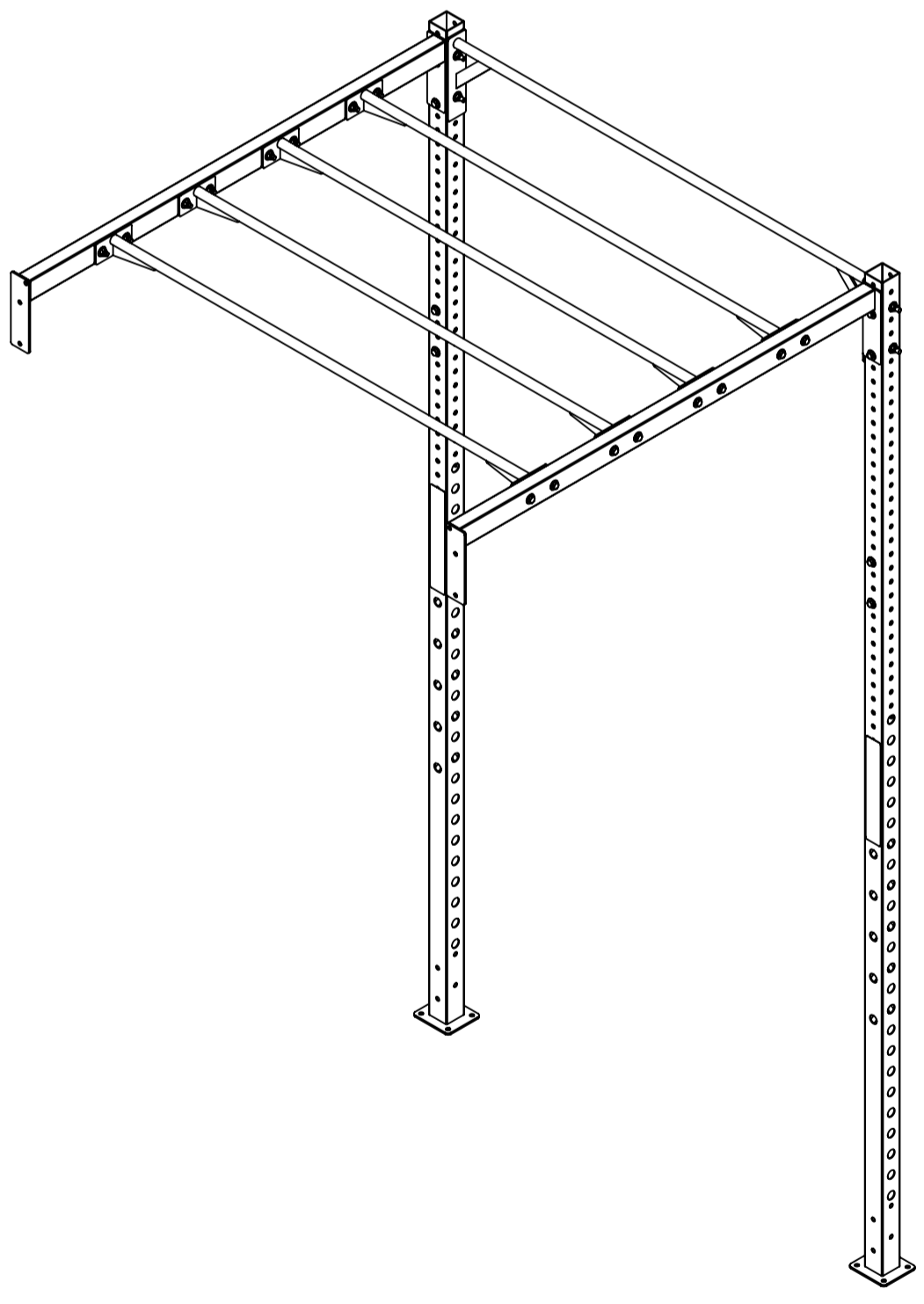
XA-4-MON-12-02
 MONKEY BAR EXTENSION
 XA;RIG MON 4' X 6' X 12'



XA-6-MON-8-02
 MONKEY BAR EXTENSION
 XA;RIG MON 6' X 6' X 8'
 (SHOWN EXPLODED)



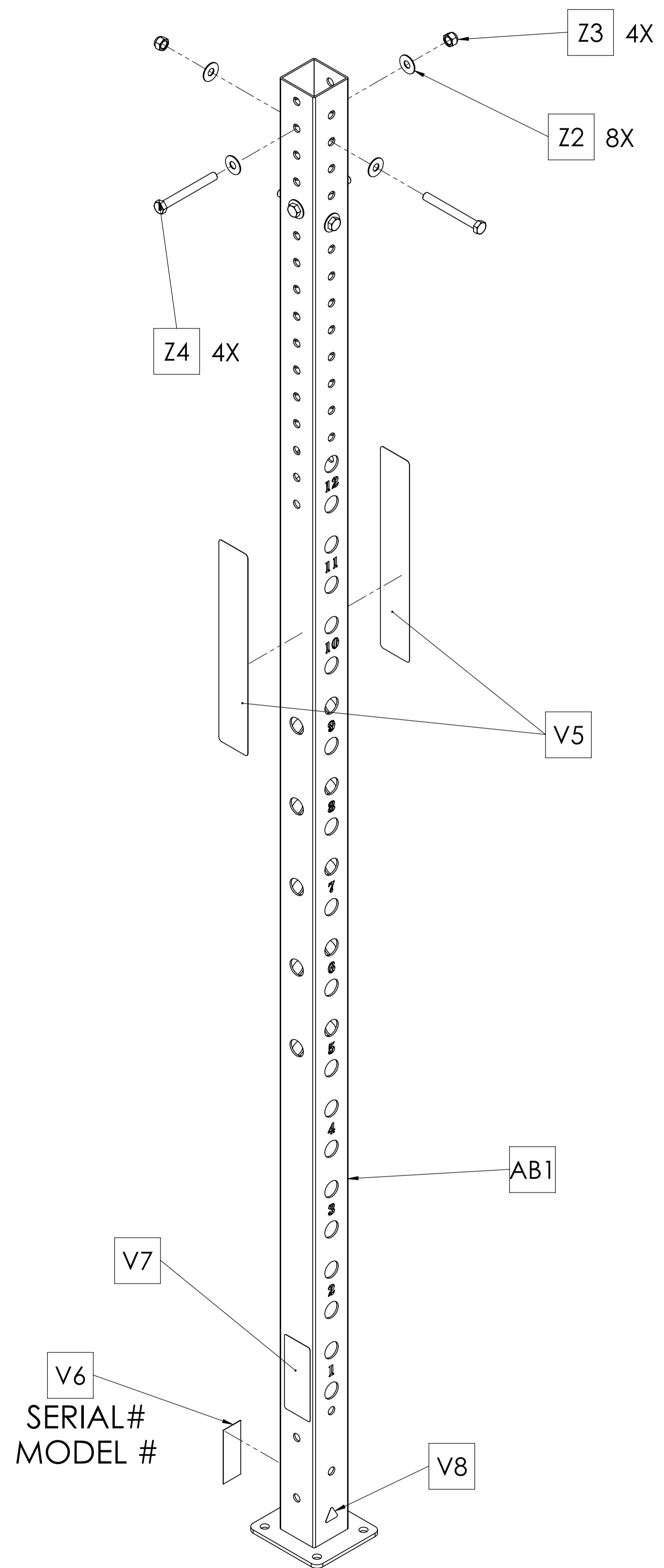
XA-6-MON-02
 MONKEY BAR EXTENSION
 XA;RIG MON 6' X 6' X 9'



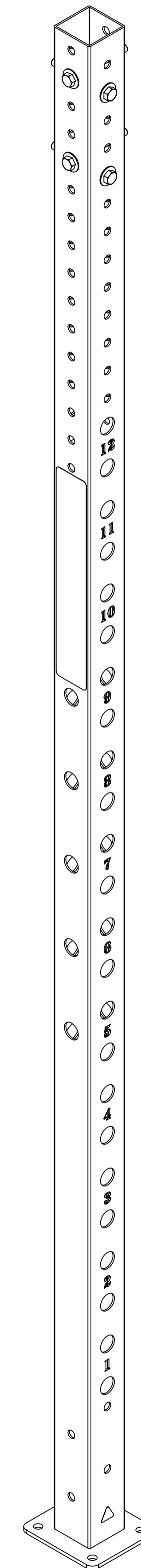
XA-6-MON-12-02
 MONKEY BAR EXTENSION
 XA;RIG MON 6' X 6' X 12'

MATRIX

DWG NO. XA-4-MON-02 & XA-6-MON-02 SERVICE SERIES			
DESCRIPTION: XA;RIG MONKEY BAR EXTENSION XULT			
DRAWN BY:	LMB	DATE:	2018.JUL.12
UPDATED BY:	LMB	DATE:	2018.JUL.16



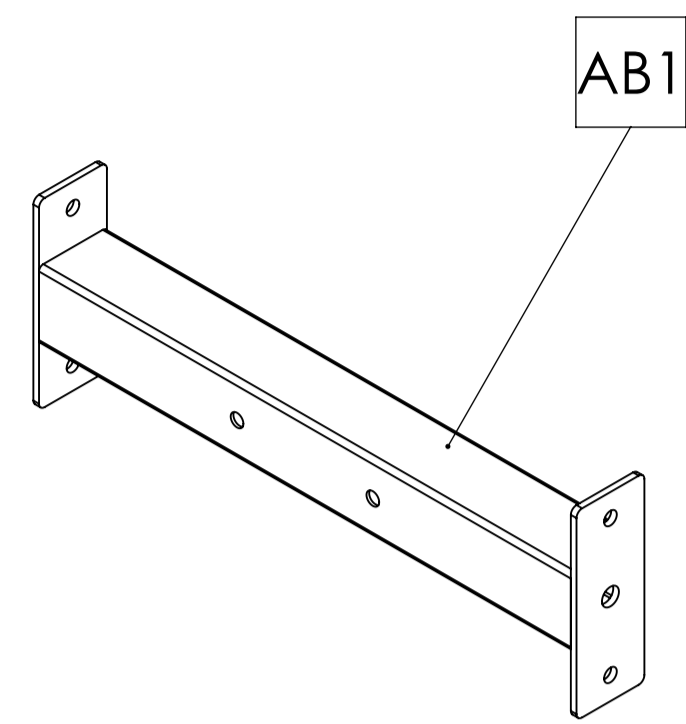
XR03S-02
XULT 9' UPRIGHT W/SERIAL# & MTG HW
(SHOWN EXPLODED)



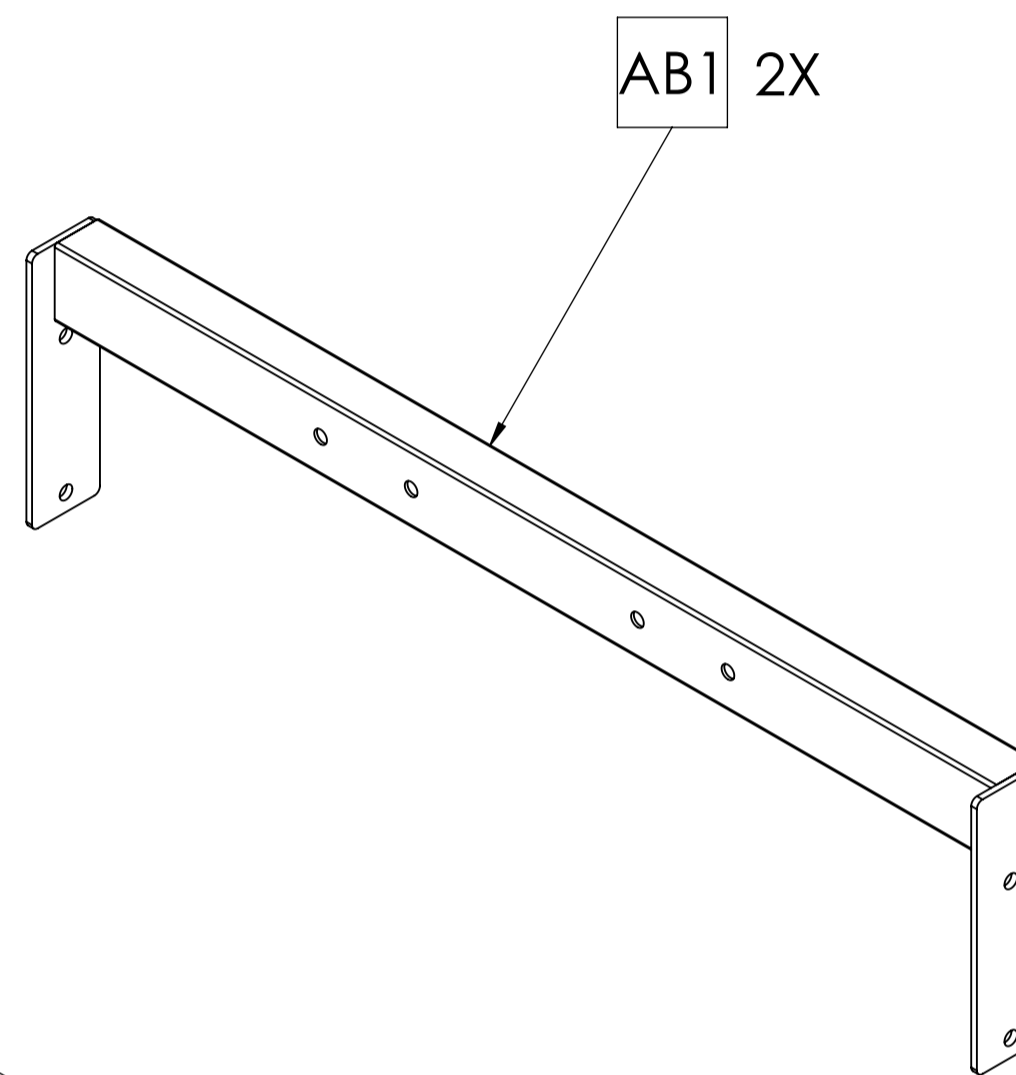
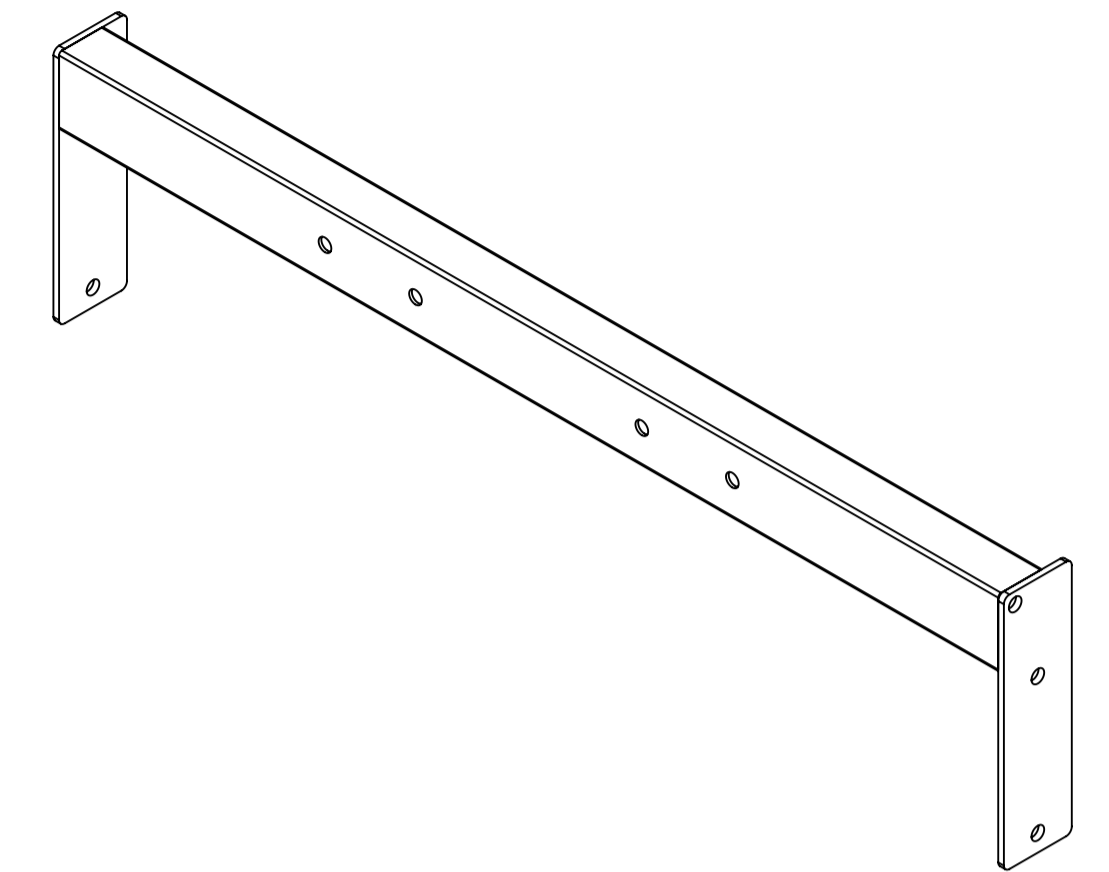
XR03-02
XULT 9' UPRIGHT W/MTG HW

MATRIX

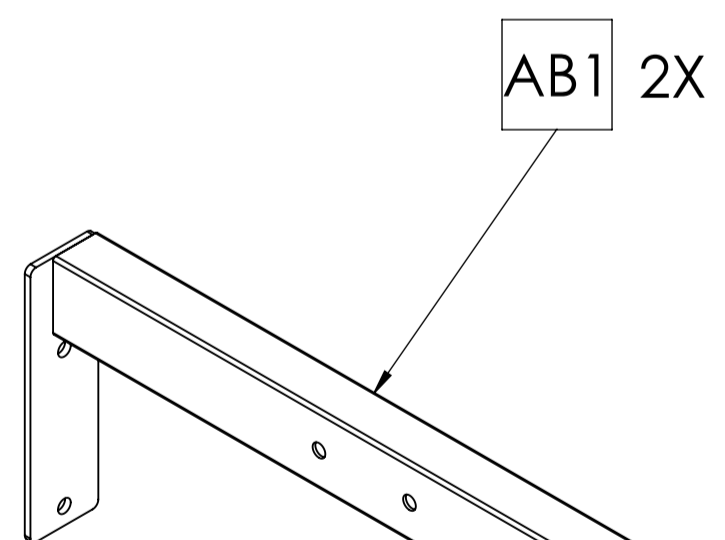
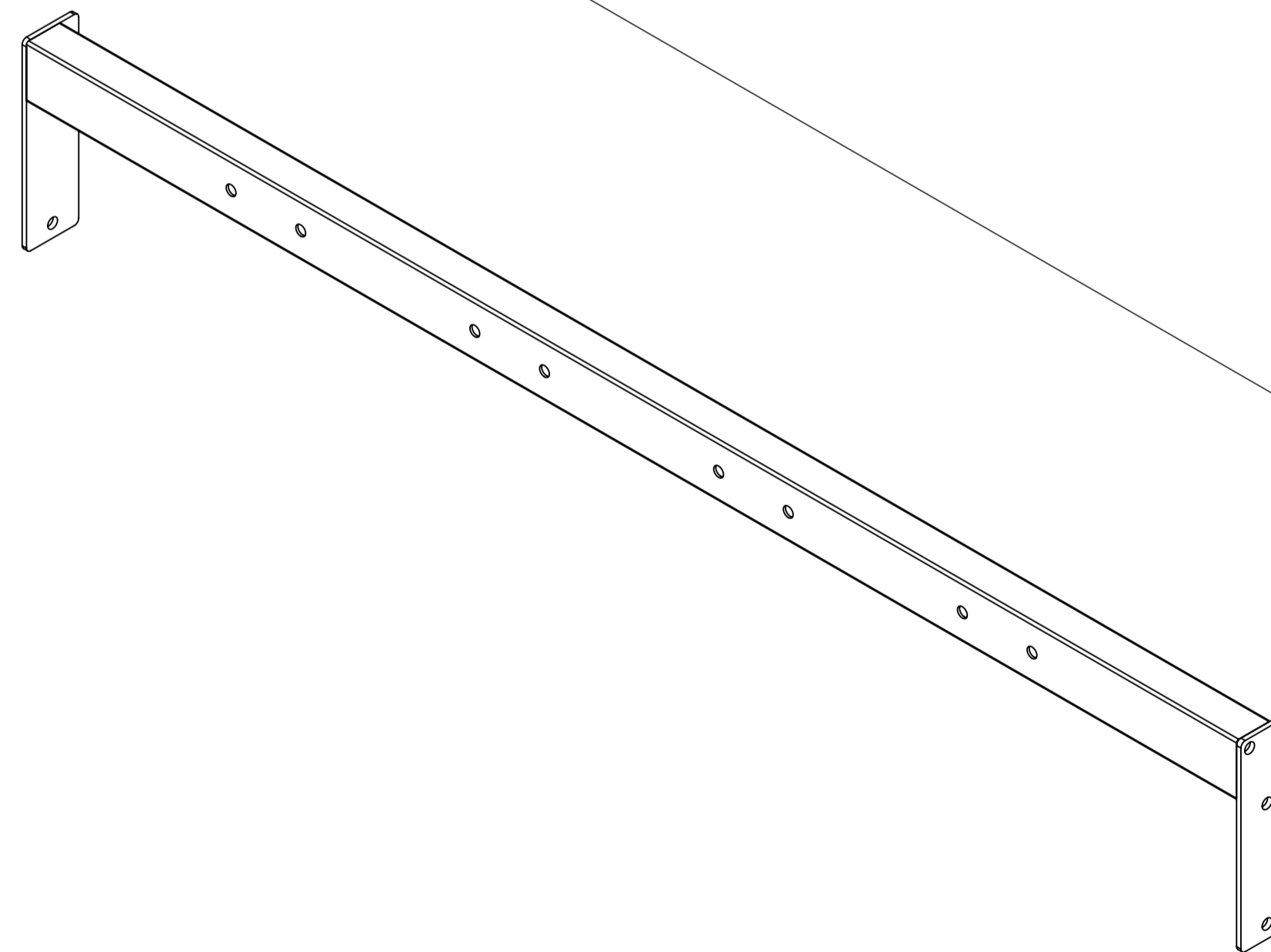
DWG NO.		XR03-02 SERIES SERVICE	
DESCRIPTION:		RIG;9' UPRIGHT SERIES	
		XULT	
DRAWN BY:	LMB	DATE:	2017.NOV.03
UPDATED BY:		DATE:	



XR04-02
SUPPORT 2'



XR05-02 SUPPORT 4' (PAIR)



XR06-02 SUPPORT 6' (PAIR)

MATRIX

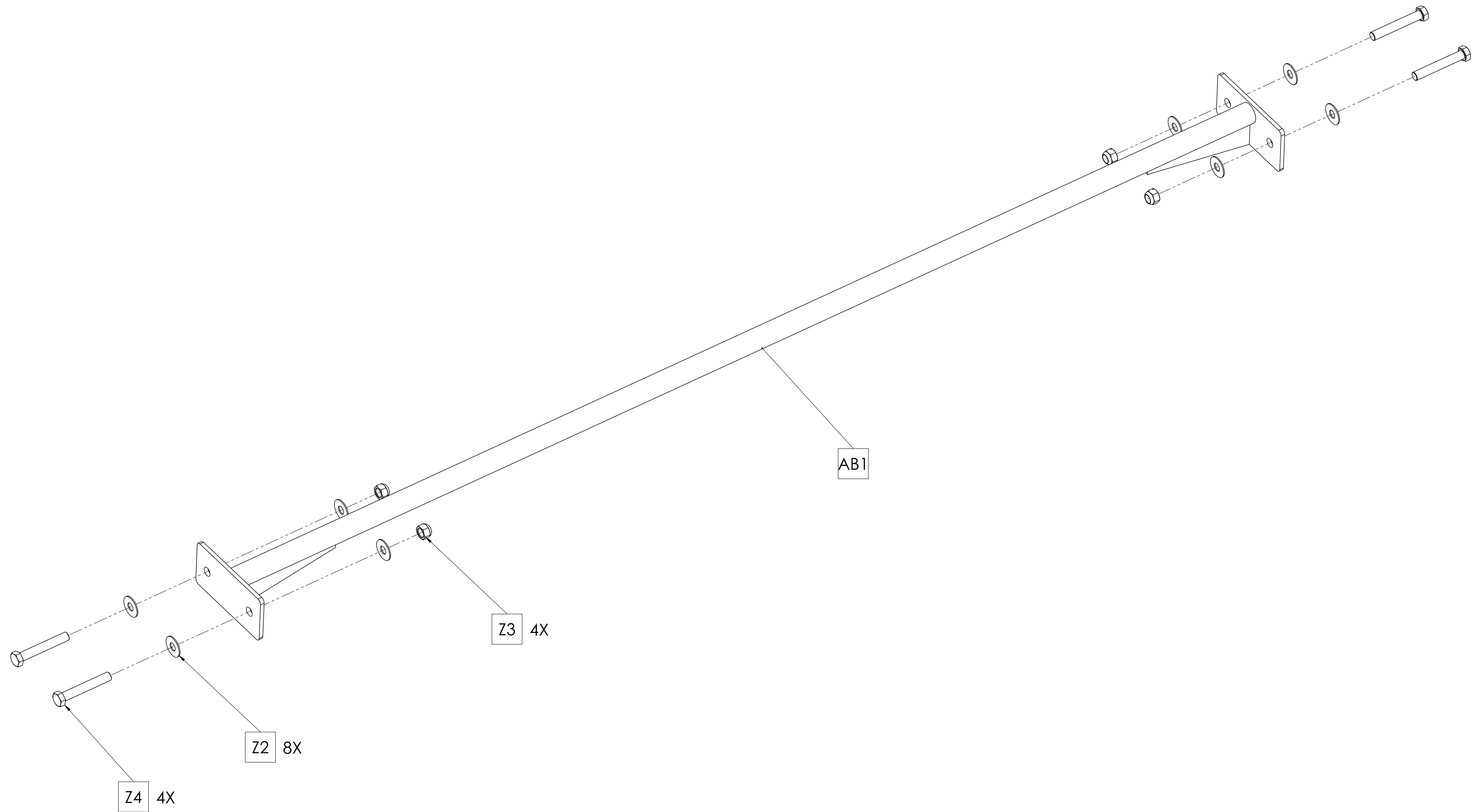
DWG NO. XR04-02, XR05-02 & XR06-02 SERVICE

DESCRIPTION: XT;RIG; SUPPORT

XULT

DRAWN BY: LMB DATE: 2017.NOV.03

UPDATED BY: LMB DATE: 2018.APR.05



MATRIX

DWG NO.		XR07-02 SERVICE	
DESCRIPTION:		RIG CHIN(MONKEY) BAR XULT	
DRAWN BY:	LMB	DATE:	2017.NOV.03
UPDATED BY:		DATE:	