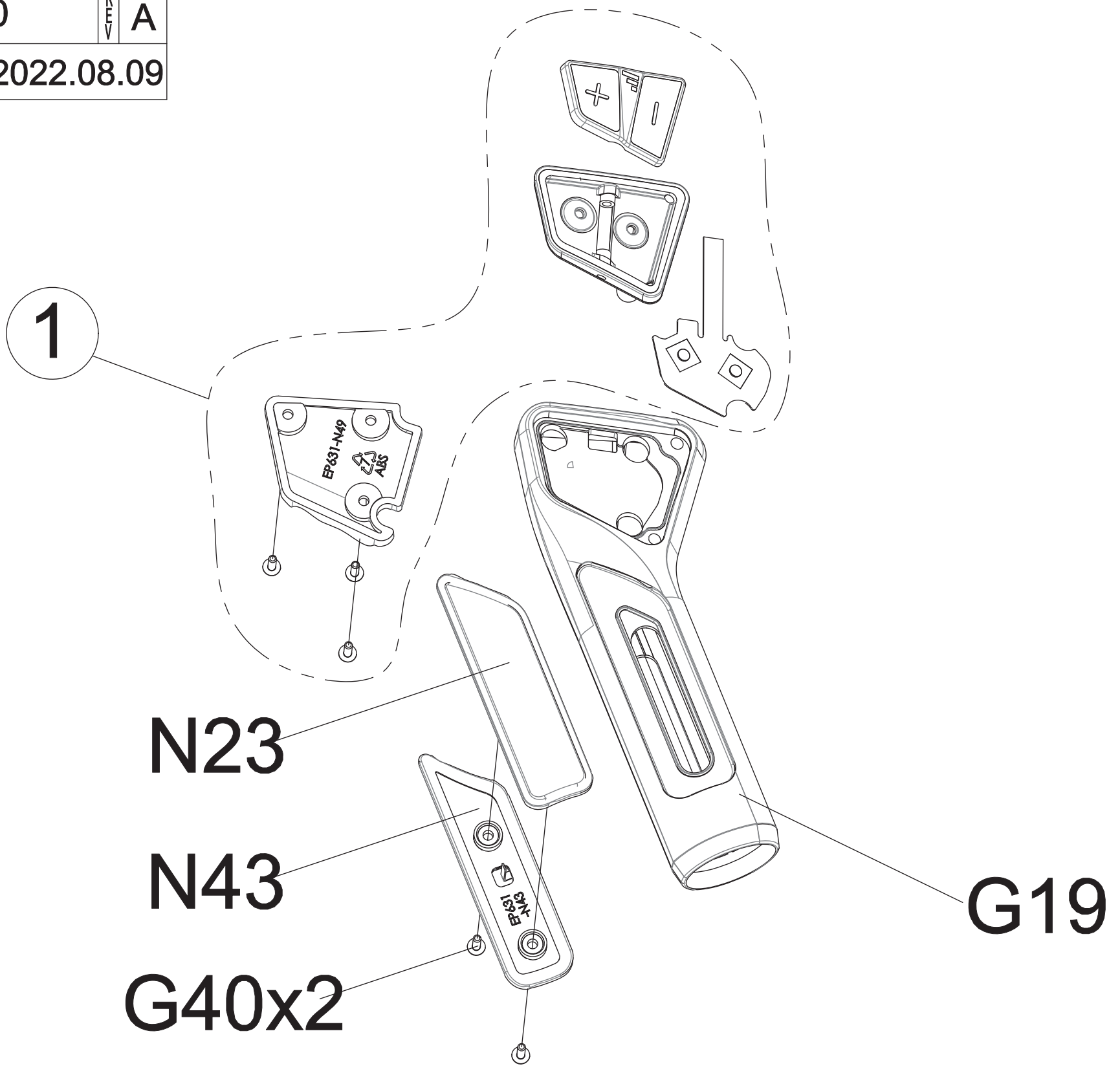
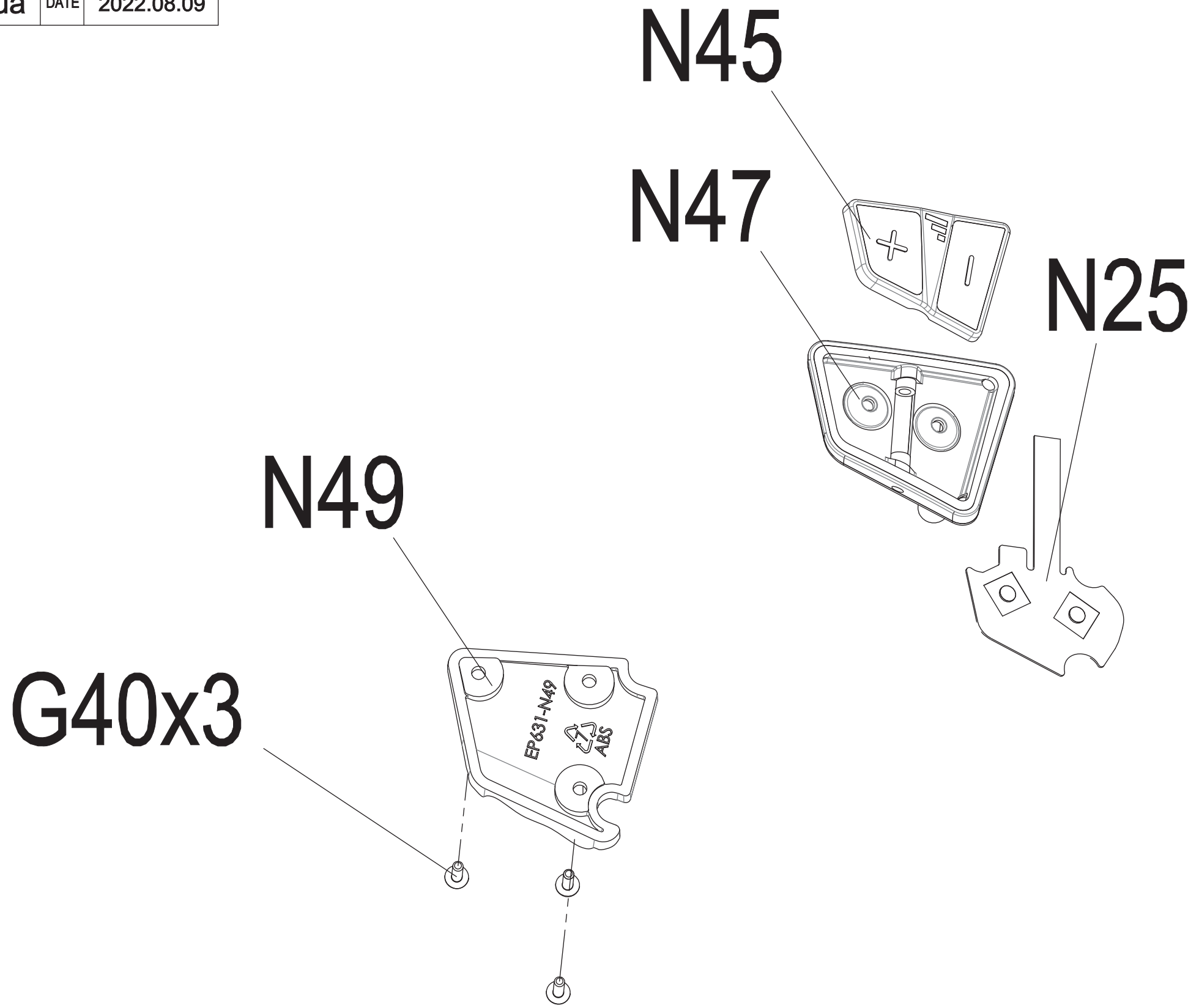


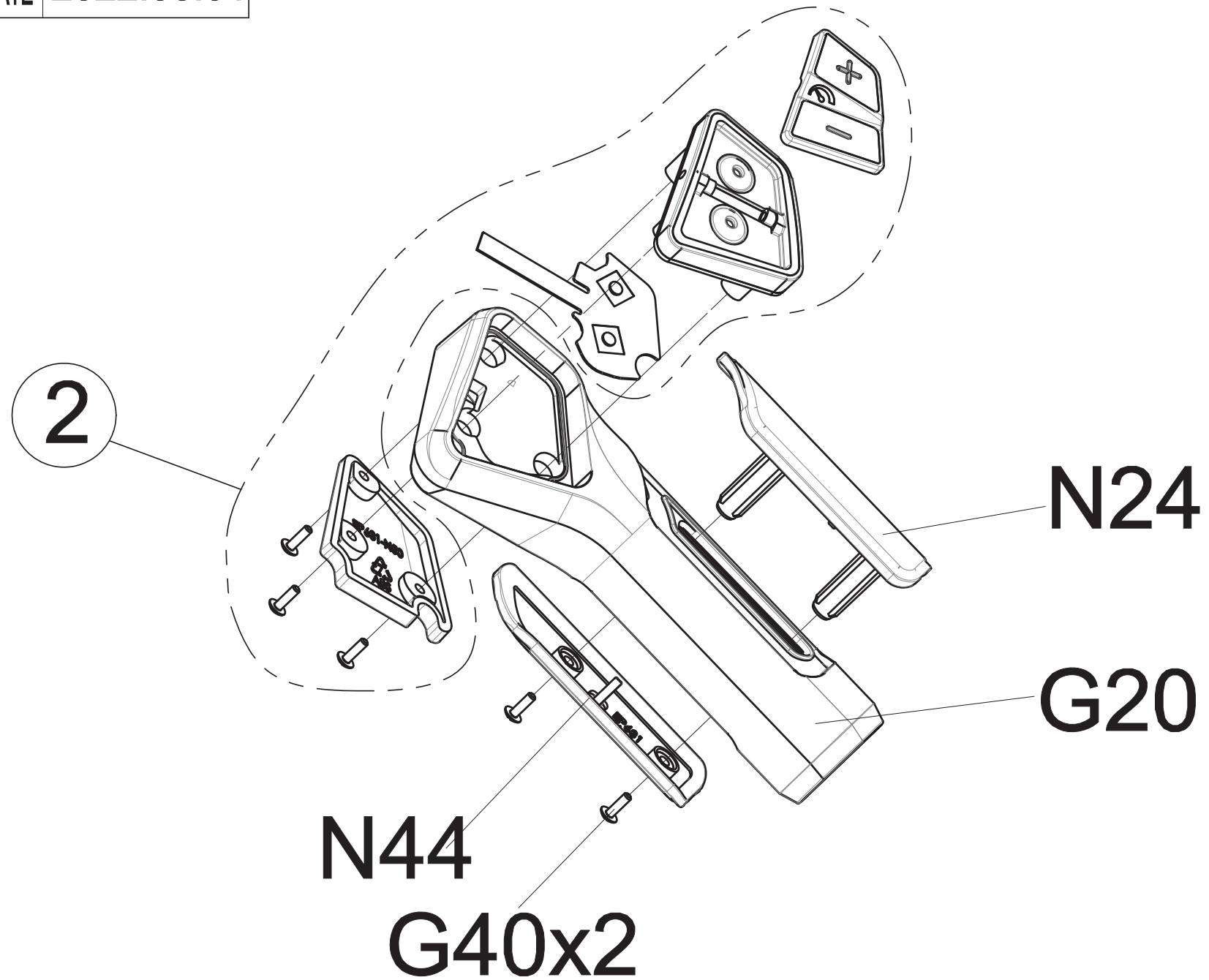
| | | | |
|------------|----------------------|------|------------|
| DRAWING NO | TM759-AG7 | | |
| PART NAME | Grip Set;Semi-Assy-L | | |
| PART NO | 1000450780 | REV | A |
| APPROVE | SuYehua | DATE | 2022.08.09 |



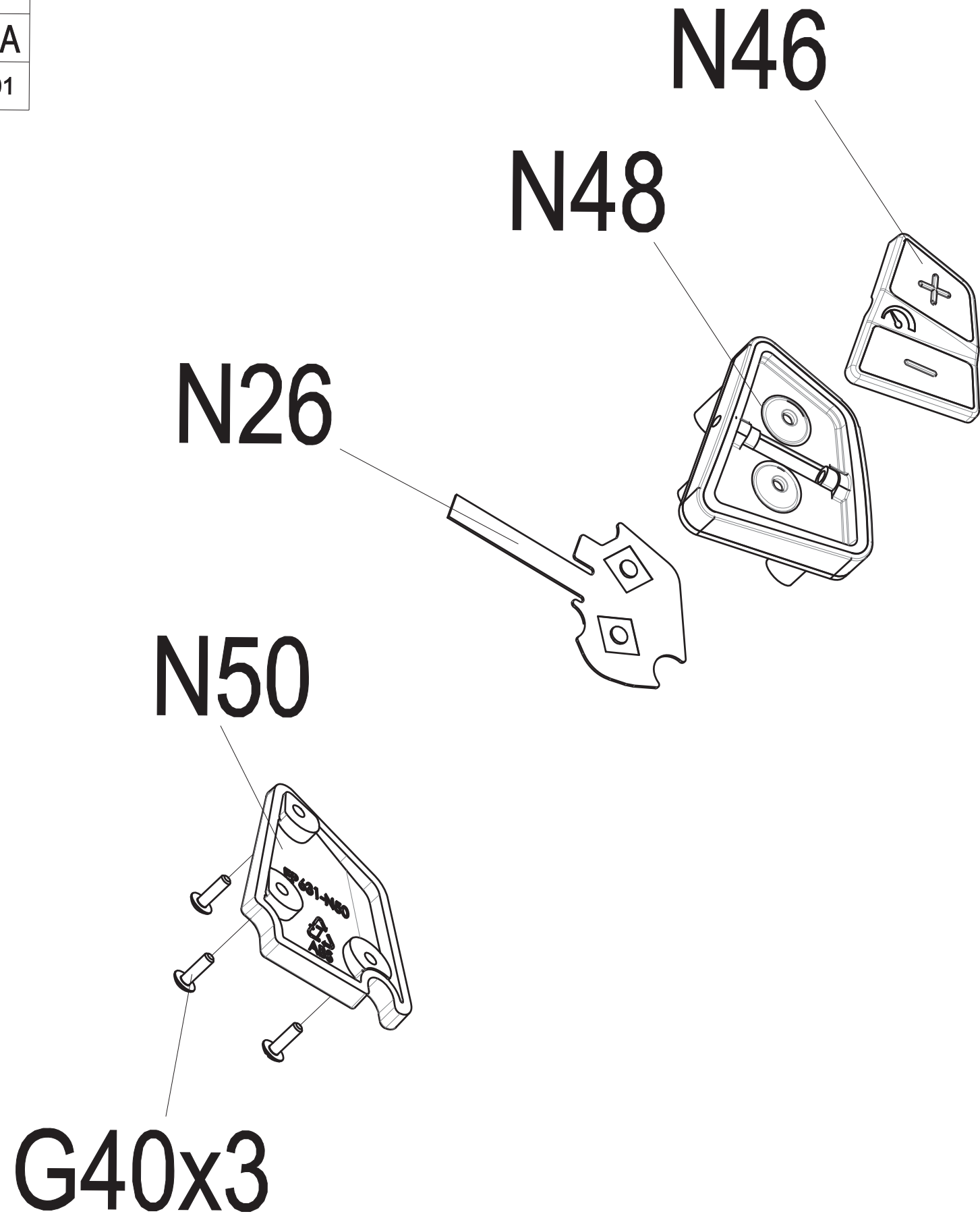
| | | | |
|------------|------------------------|------|------------|
| DRAWING NO | TM759-SF01 | | |
| PART NAME | Part Explosive Diagram | | |
| PART NO | 1000478849 | REV | A |
| APPROVE | SuYehua | DATE | 2022.08.09 |



| | | | |
|------------|----------------------|------|------------|
| DRAWING NO | TM759-AG8 | | |
| PART NAME | Grip Set;Semi-Assy-R | | |
| PART NO | 1000450781 | REF | A |
| APPROVE | SuYehua | DATE | 2022.06.01 |



| | | | |
|------------|------------------------|------|------------|
| DRAWING NO | TM759-SF02 | | |
| PART NAME | Part Explosive Diagram | | |
| PART NO | 1000478850 | REV | A |
| APPROVE | SuYehua | DATE | 2022.06.01 |



| | | | |
|------------|-------------------|------|--------|
| DRAWING NO | TM501-AN13 | | |
| PART NAME | Safety Switch Set | | |
| PART NO | 1000231246 | REV | B |
| APPROVE | XUBW | DATE | 121321 |

備註：組裝后總長度（含夾子/鑰匙圈）860~870mm
Note:Length of assembly(Chip/Key ring)860~870mm

