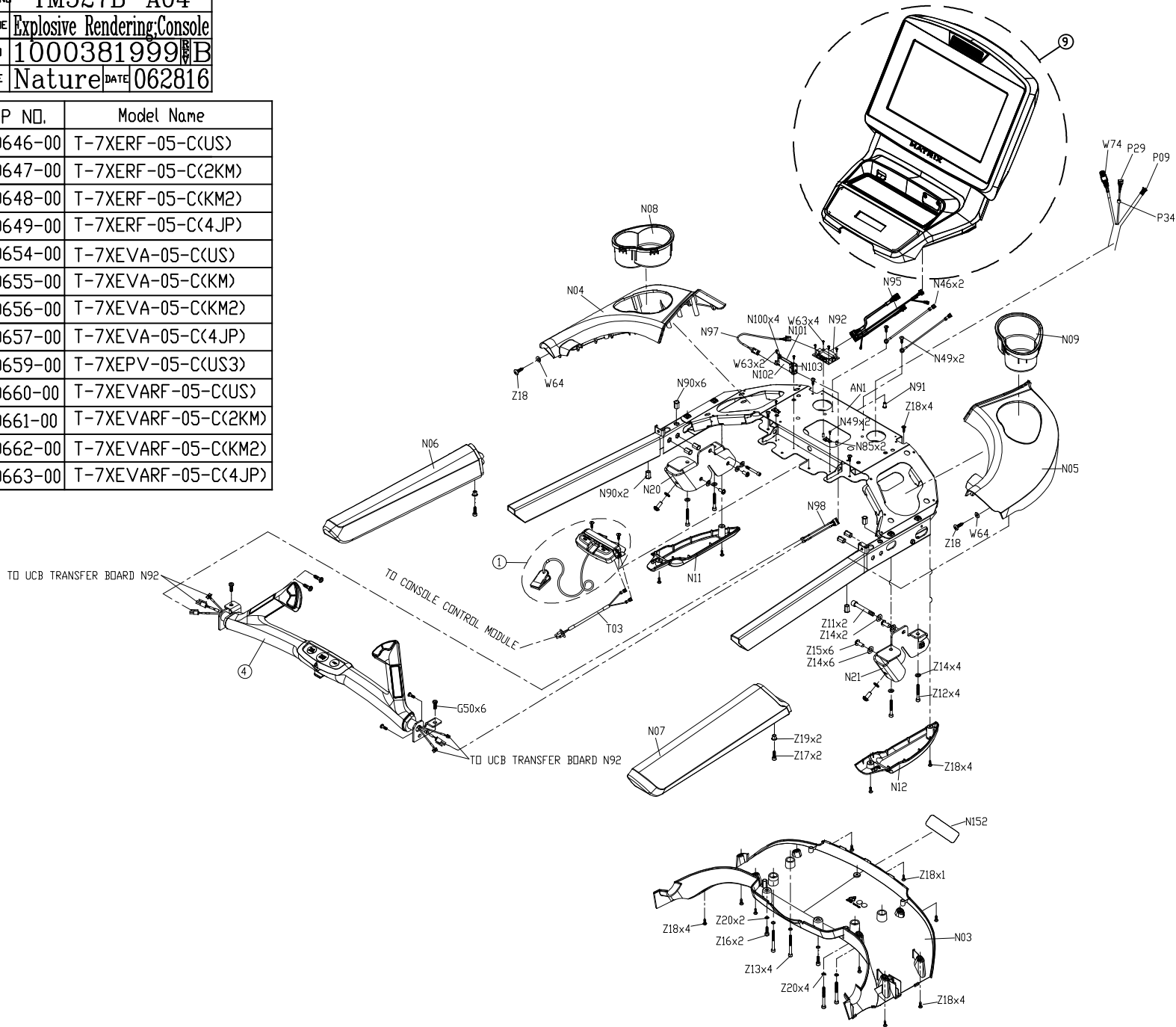



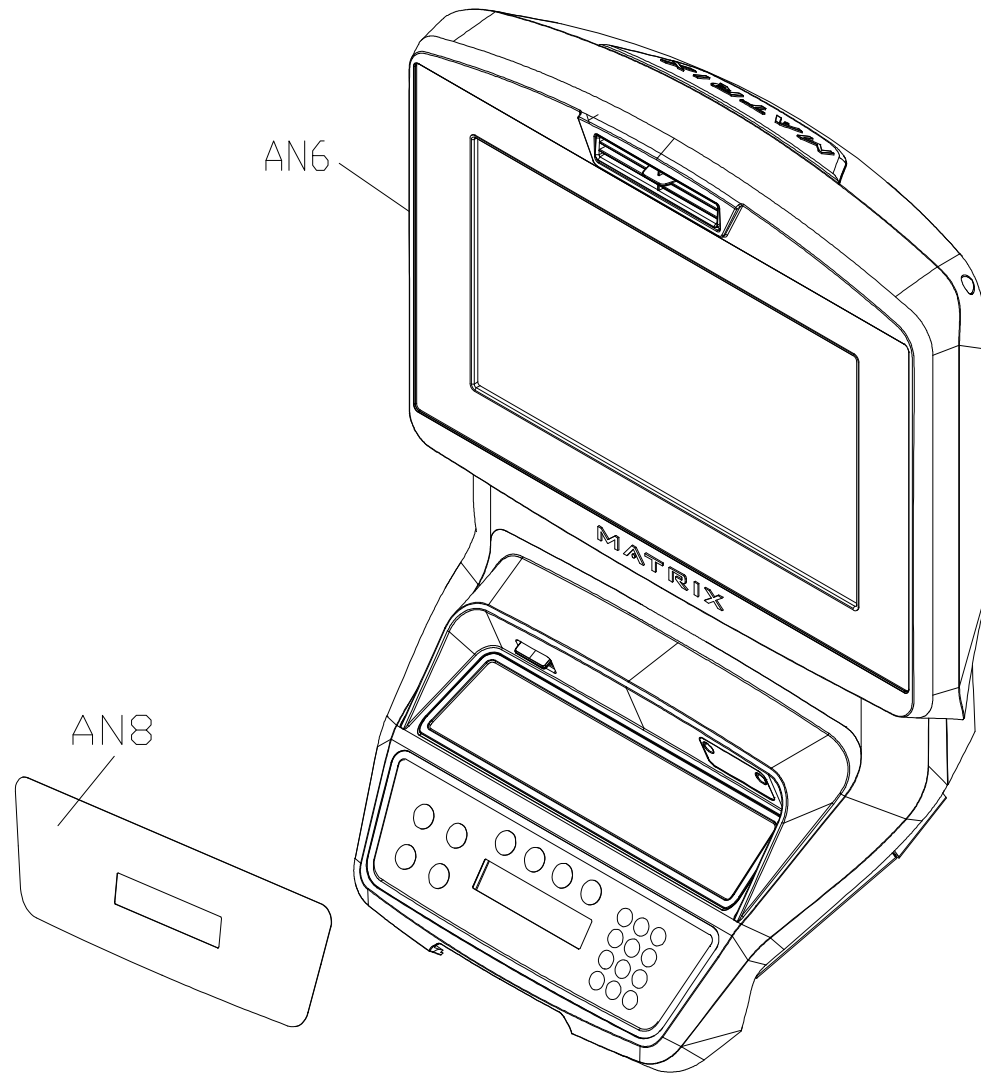
DRAWING NO	TM527B-A04
PART NAME	Explosive Rendering Console
PART NO	1000381999
APPROVE	Nature DATE 062816

SAP NO.	Model Name
MTM0646-00	T-7XERF-05-C(US)
MTM0647-00	T-7XERF-05-C(2KM)
MTM0648-00	T-7XERF-05-C(KM2)
MTM0649-00	T-7XERF-05-C(4JP)
MTM0654-00	T-7XEVA-05-C(US)
MTM0655-00	T-7XEVA-05-C(KM)
MTM0656-00	T-7XEVA-05-C(KM2)
MTM0657-00	T-7XEVA-05-C(4JP)
MTM0659-00	T-7XEPV-05-C(US3)
MTM0660-00	T-7XEVARF-05-C(US)
MTM0661-00	T-7XEVARF-05-C(2KM)
MTM0662-00	T-7XEVARF-05-C(KM2)
MTM0663-00	T-7XEVARF-05-C(4JP)

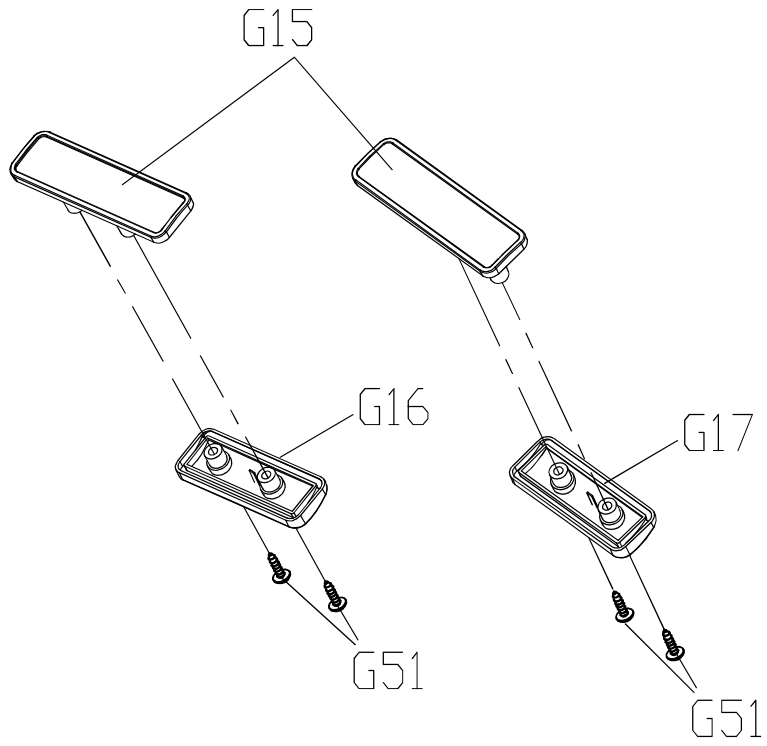




DRAWING NO	TM527C-AN40		
PART NAME	CONSOLE SET;Eng+Fr		
PART NO	1000388077  N		
APPROVE	SHUYI	DATE	040820

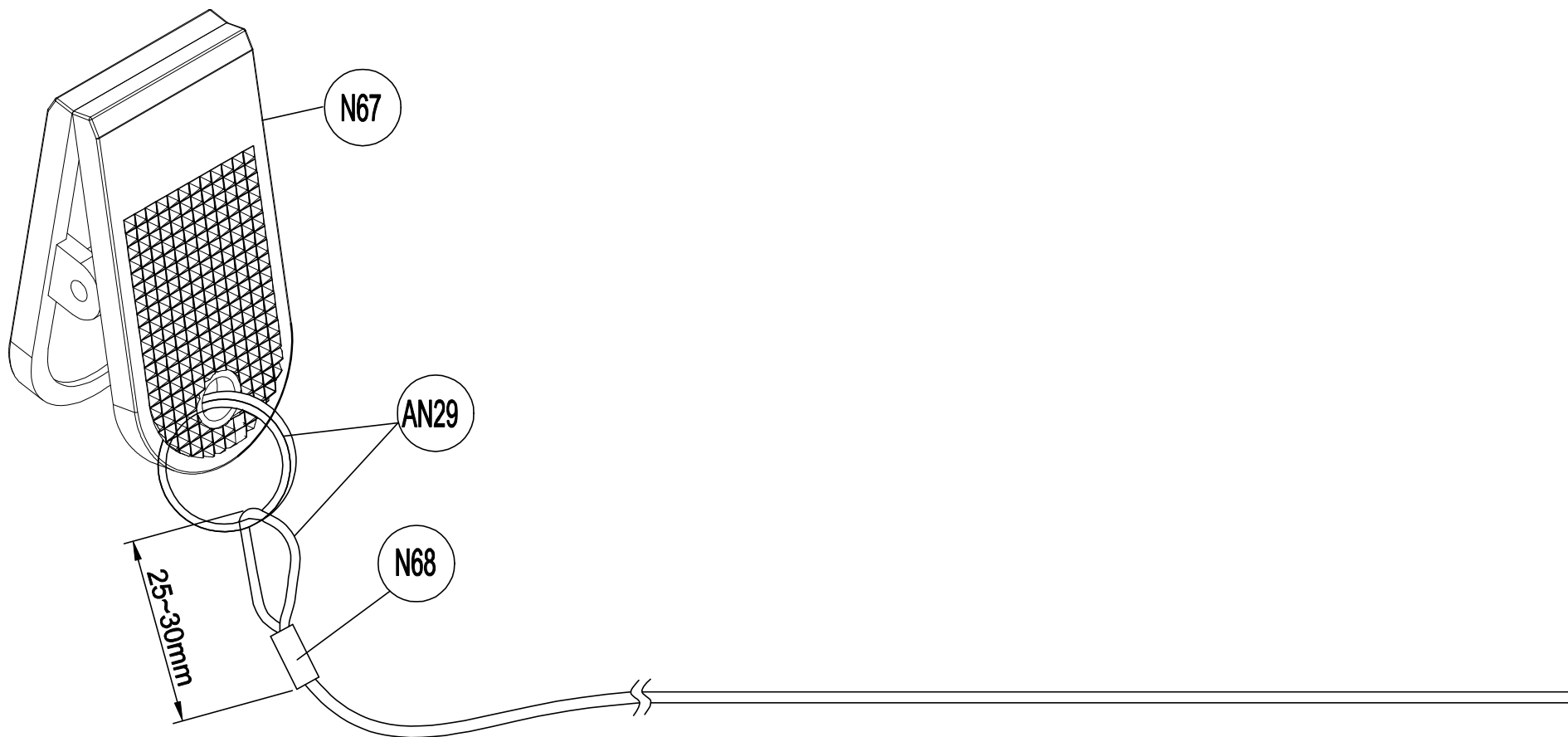


DRAWING NO	TM502-AG13		
PART NAME	HR Grip Cover Set		
PART NO	0000091816	REV	A
APPROVE	SHUYI	DATE	07.26.10

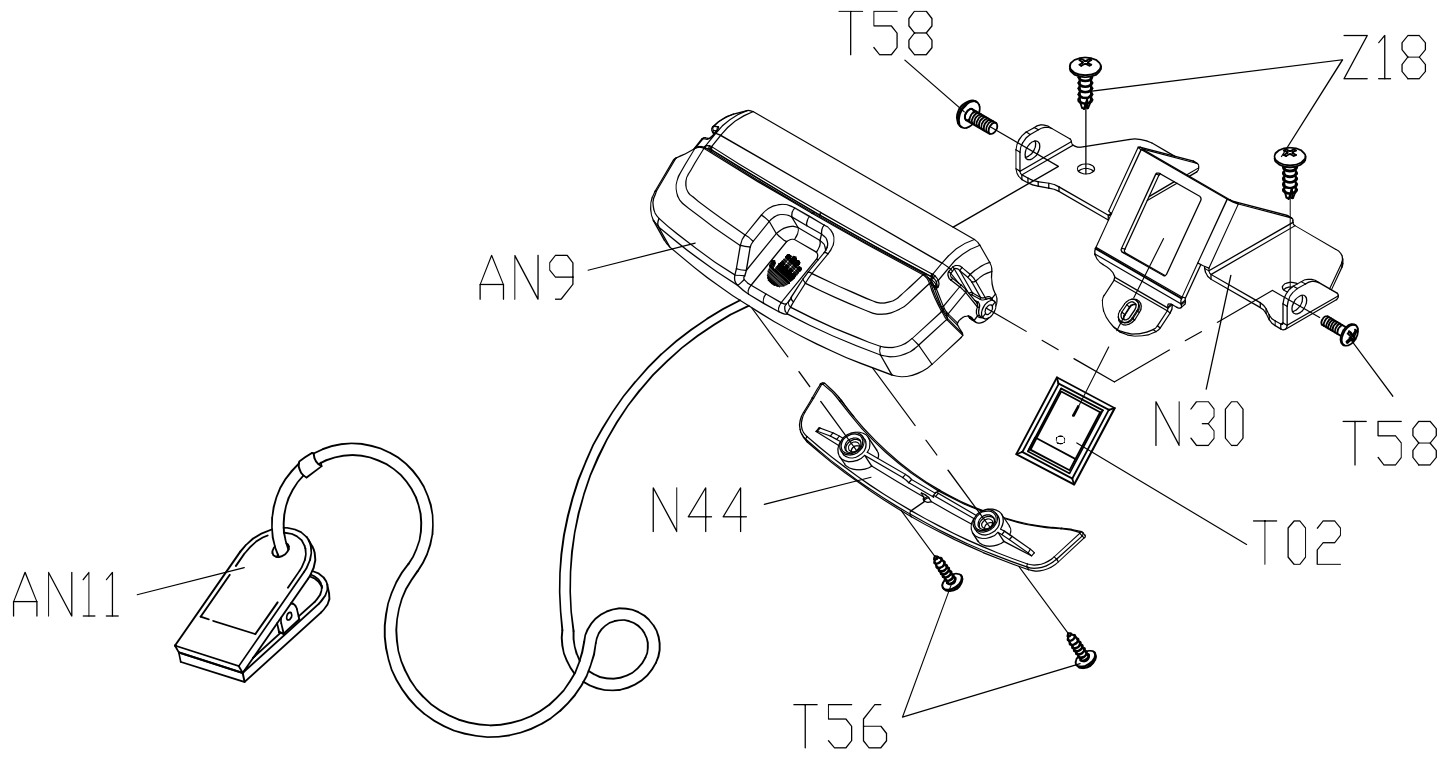


DRAWING NO	TM501-AN13		
PART NAME	Safety Switch Set		
PART NO	1000231246	REV	B
APPROVE	XUBW	DATE	121321

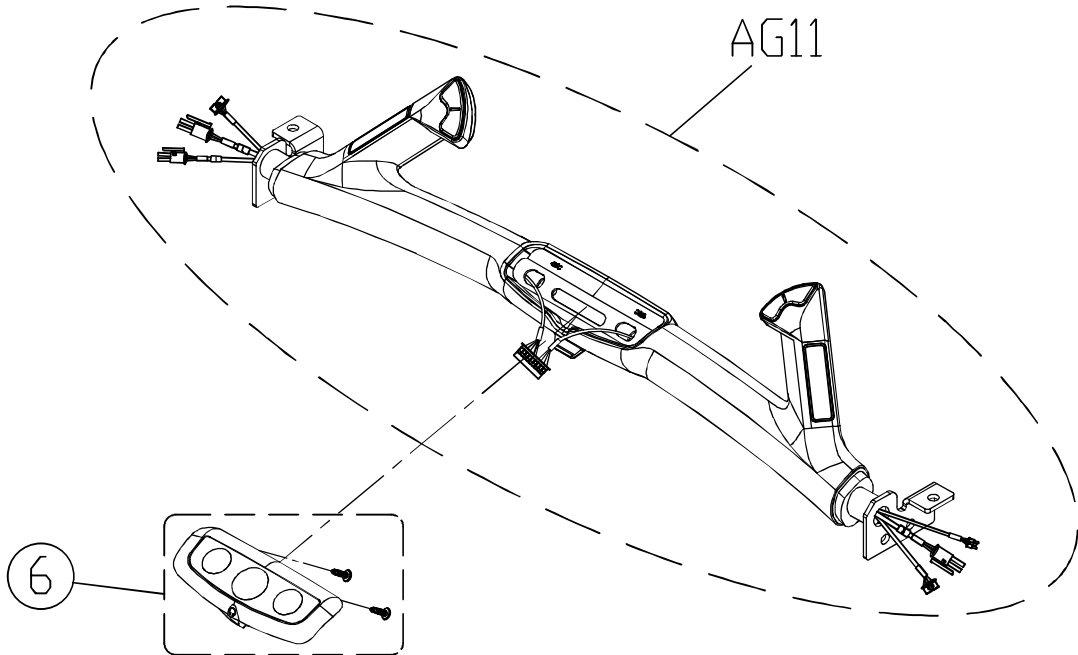
備註：組裝后總長度（含夾子/鑰匙圈）860~870mm  
Note:Length of assembly(Chip/Key ring)860~870mm



DRAWING NO	TM501-AT6	
PART NAME	SAFETY KEY SET	
PART NO	1000233602	REV B
APPROVE	S.T.C	DATE 083112

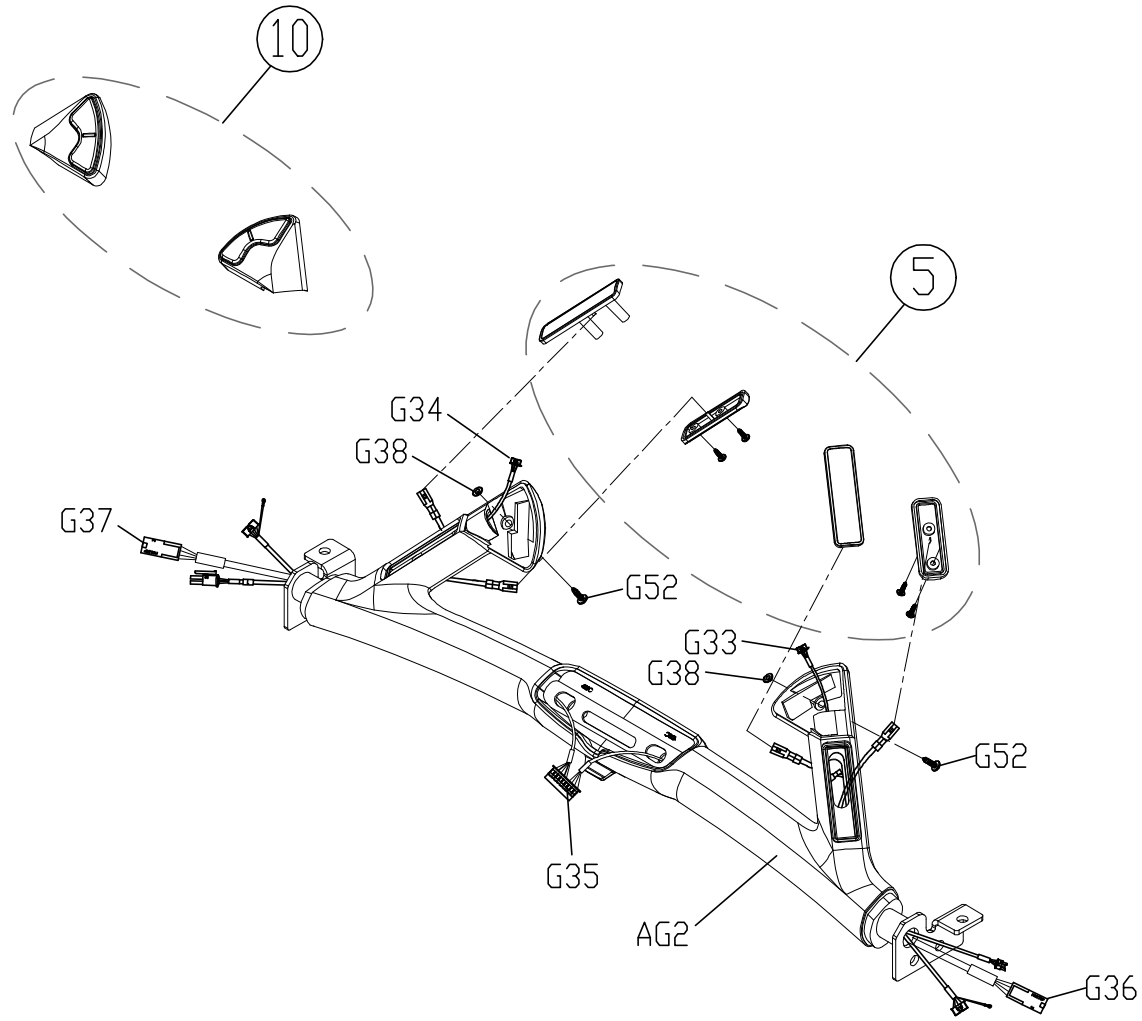


DRAWING NO	TM527-AG21		
PART NAME	Handlebar Set		
PART NO	As Attachment B		
APPROVE	SHUYI	DATE	052115

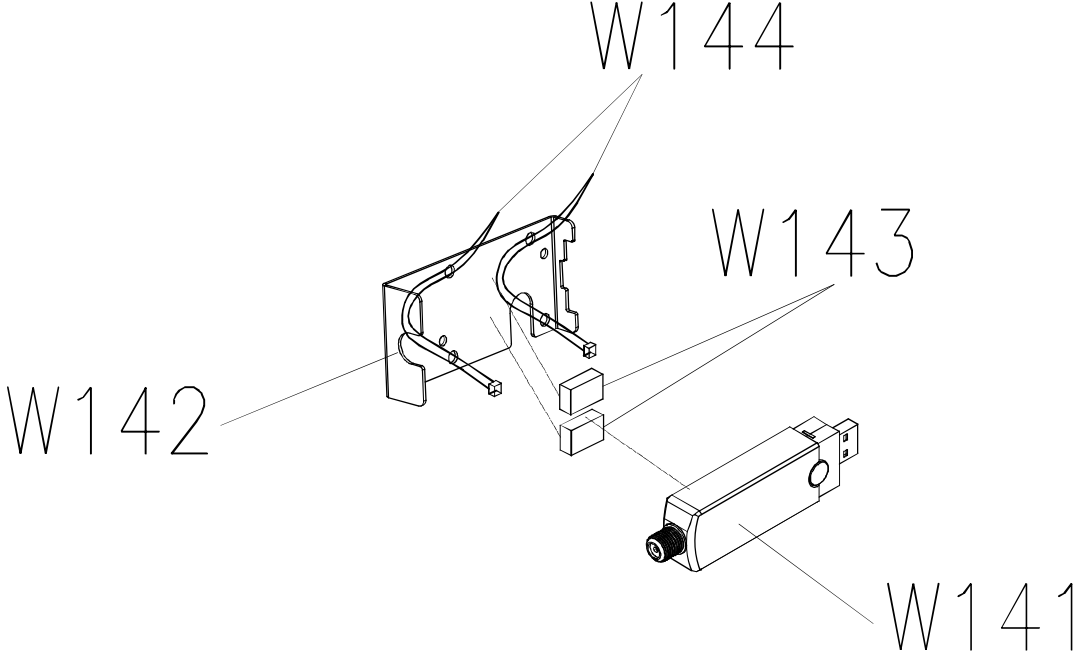


Part NO	Description
1000356217	Handlebar Set;English
1000361041	Handlebar Set;German
1000361043	Handlebar Set;Spanish
1000361045	Handlebar Set;Italian
1000361047	Handlebar Set;French
1000361050	Handlebar Set;Dutch
1000361052	Handlebar Set;Polish
1000361054	Handlebar Set;Portuguese
1000356360	Handlebar Set;Japan

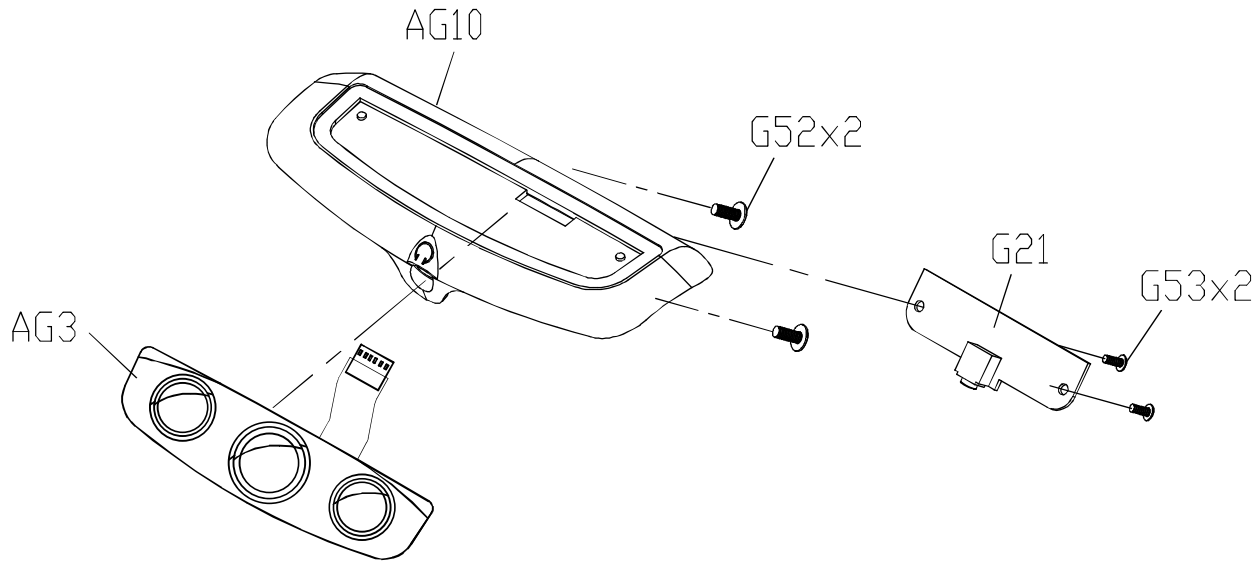
DRAWING NO	TM527-AG11		
PART NAME	Handlebar Set		
PART NO	1000356383 D		
APPROVE	RICK	DATE	011221



DRAWING NO	EP614C-AW51		
PART NAME	TV STICK SET		
PART NO	1000356574		C
APPROVE	hsinyen	DATE	051116



DRAWING NO	TM527-AG22		
PART NAME	Quick Start Overlay Set		
PART NO	As Attachment  D		
APPROVE	Heady	DATE	060116



Part NO	Description
1000385846	ES/MS;English;T-7xe-05-C
1000385847	MS;German;T-7xe-05-C
1000385848	MS;Spanish;T-7xe-05-C
1000385849	MS;Italian;T-7xe-05-C
1000385850	MS;French;T-7xe-05-C
1000385851	MS;Dutch;T-7xe-05-C
1000385852	MS;Polish;T-7xe-05-C
1000385853	MS;Portuguese;T-7xe-05-C
1000385854	MS;Japan;T-7xe-05-C

DRAWING NO	TM502-AG22
PART NAME	Quick Key Set
PART NO	1000509821 REV B
APPROVE	Patricia DATE 240408

