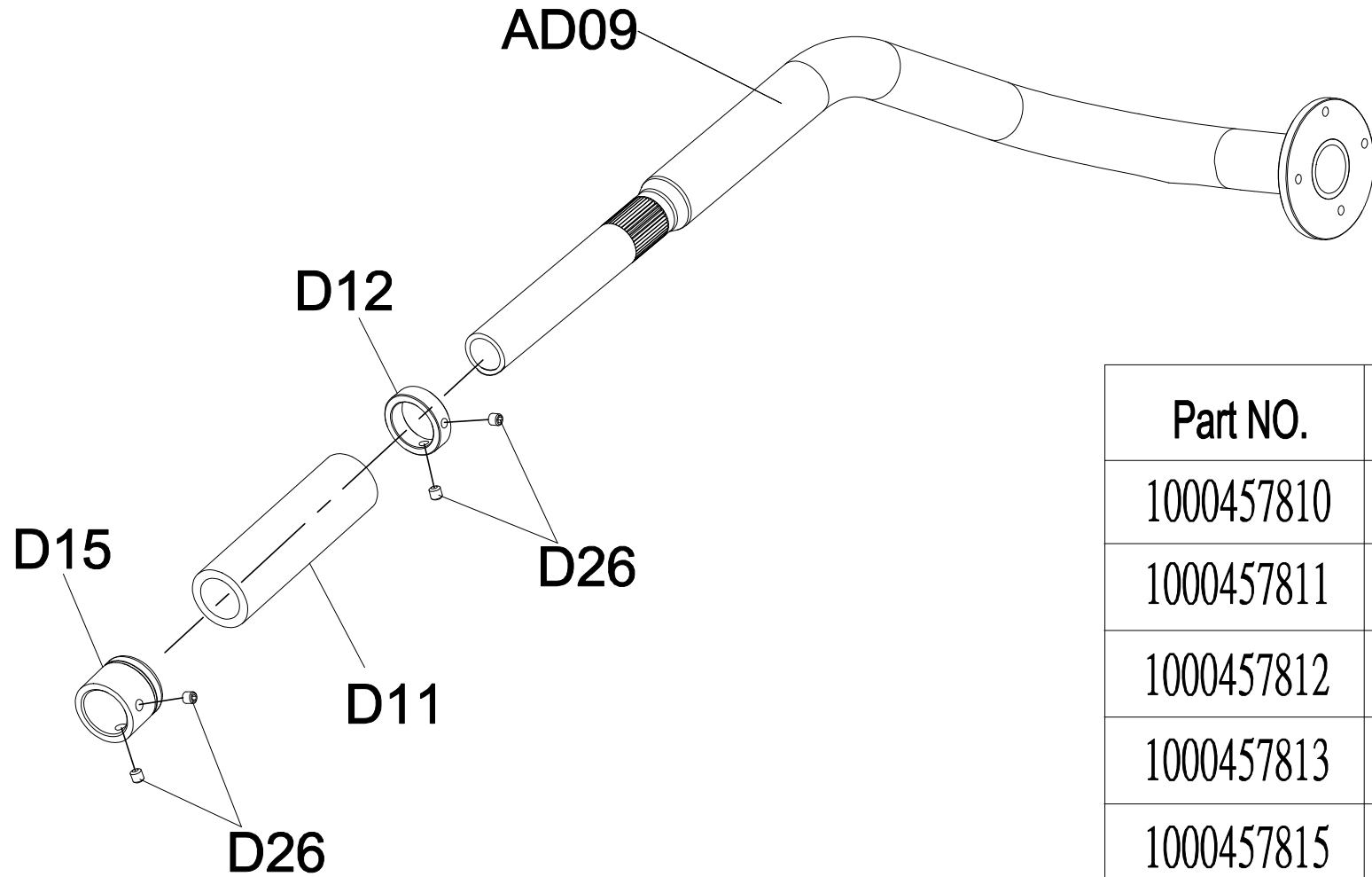
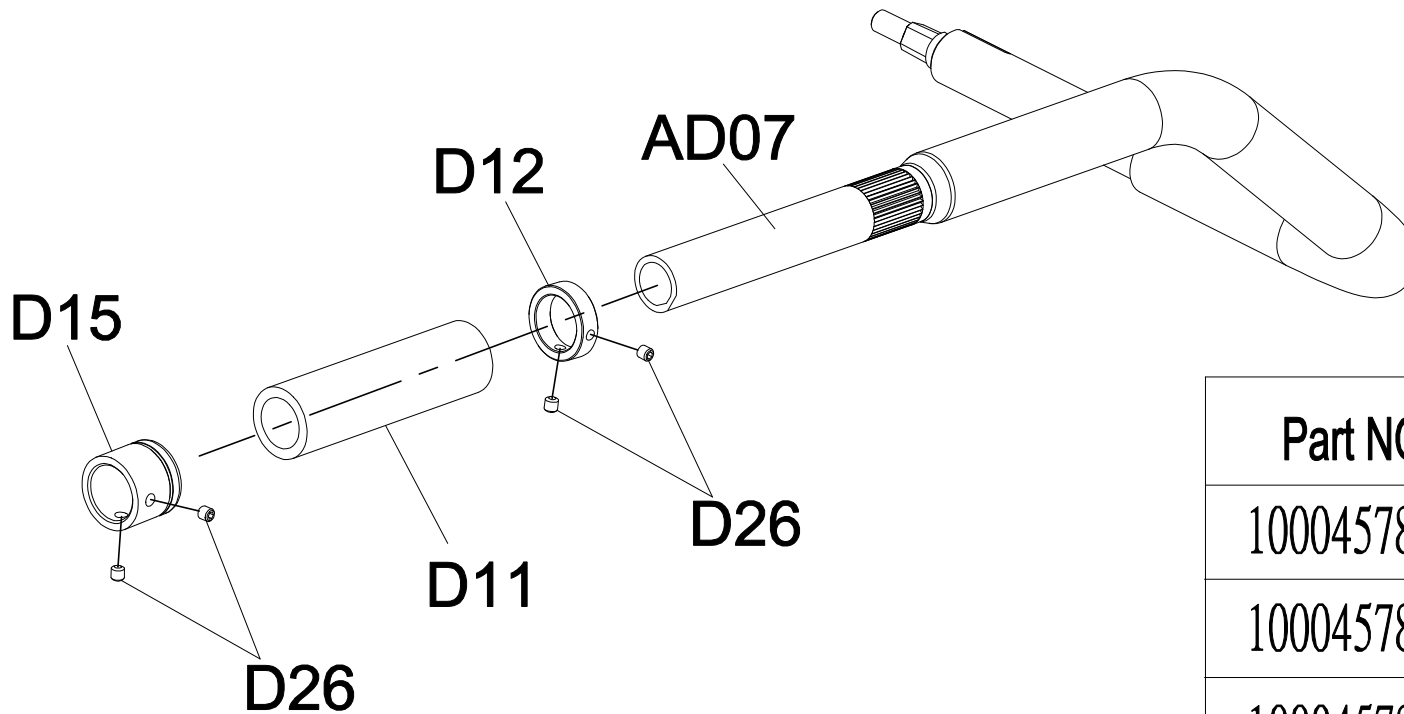


DRAWING NO	GM224-SF01		
PART NAME	Handle set;Right		
PART NO	See Chart	REV	A
APPROVE	GUAN KAI	DATE	081420



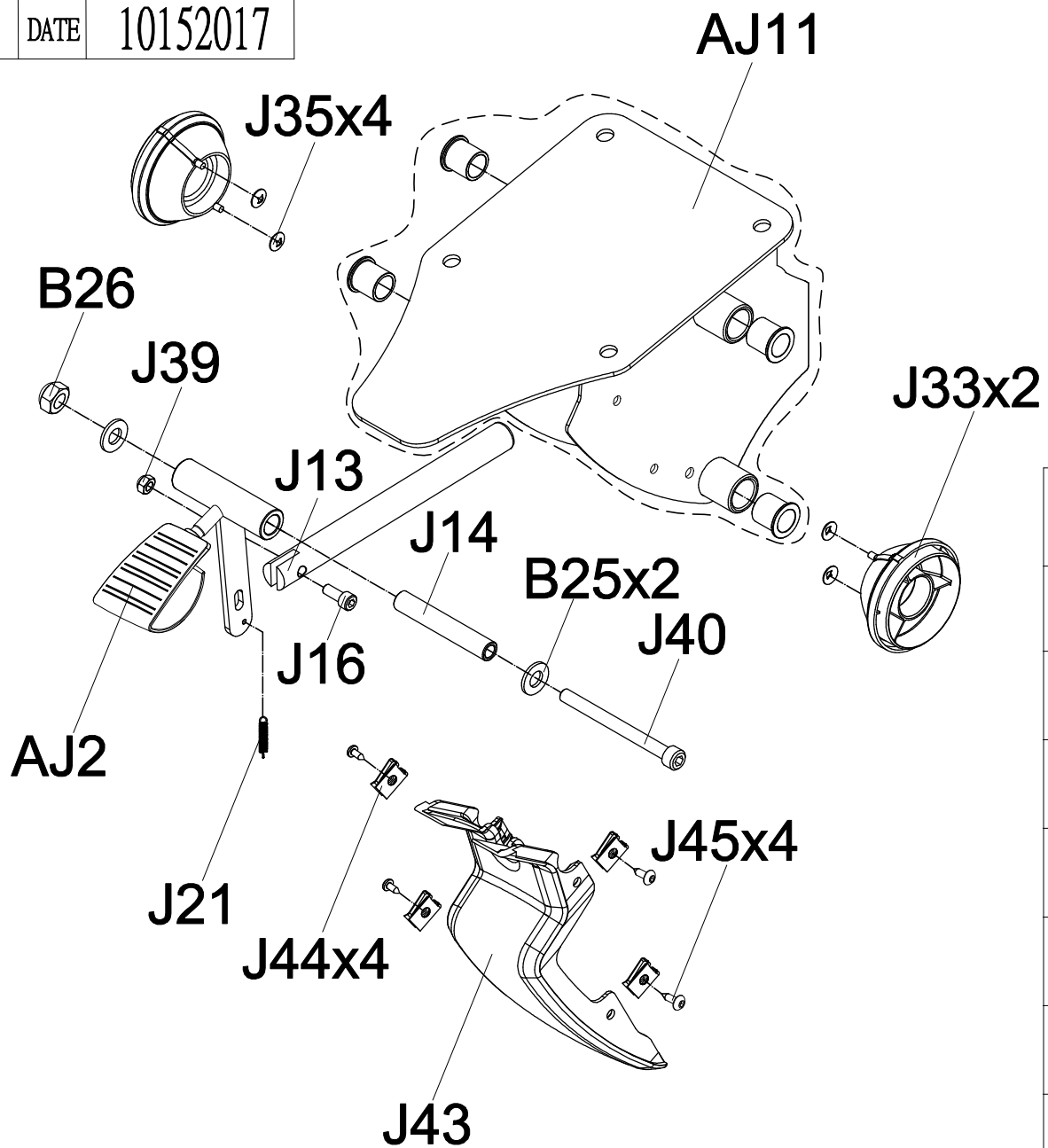
Part NO.	Color
1000457810	Iced Sliver
1000457811	Platinum
1000457812	Polarized Titanium
1000457813	Lace White
1000457815	Pearl White
1000457816	Mat Black
1000457817	BlackGlossy

DRAWING NO	GM224-SF02		
PART NAME	Handle set;Left		
PART NO	See Chart	REV	A
APPROVE	GUANK KAI	DATE	081420



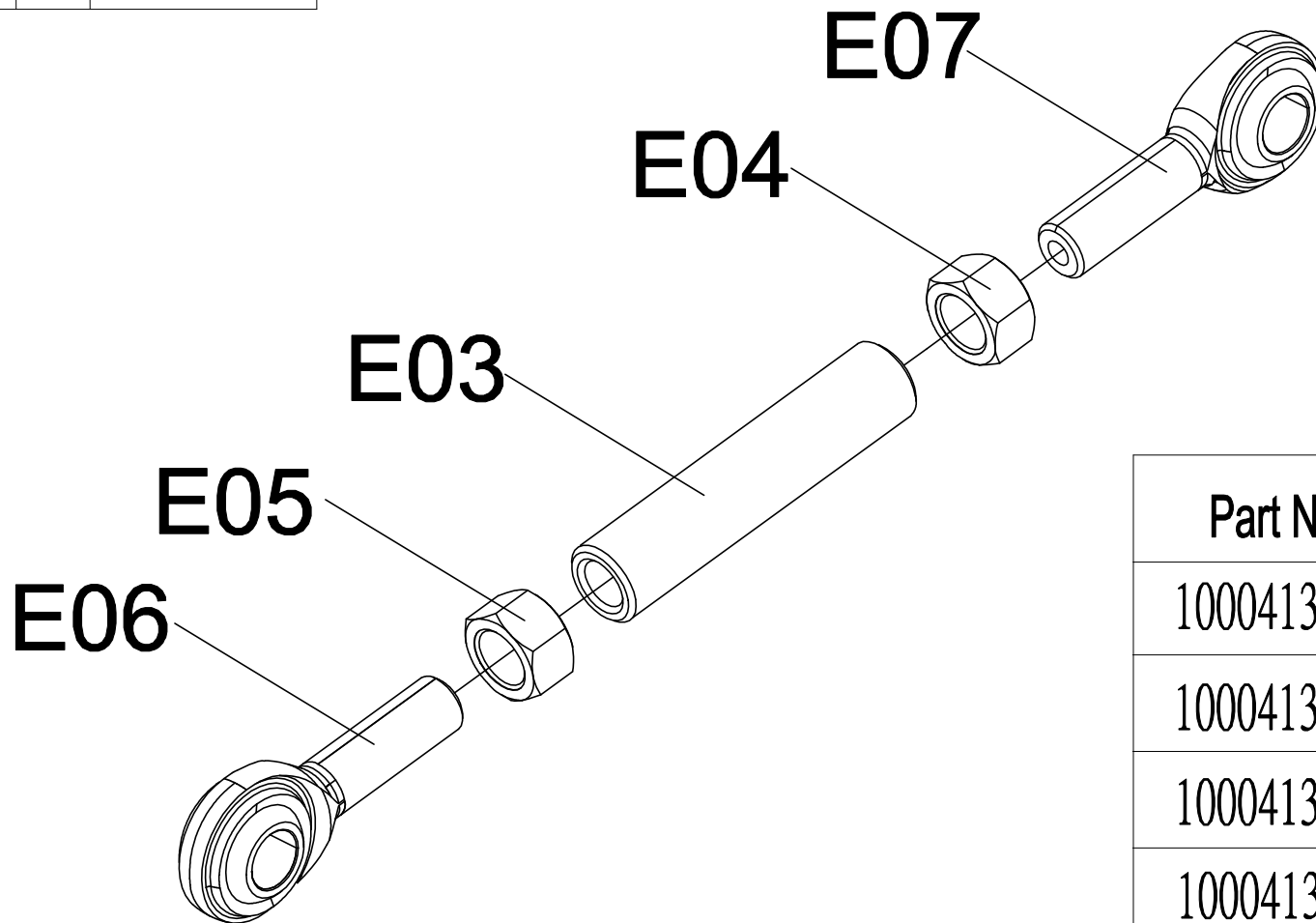
Part NO.	Color
1000457818	Iced Sliver
1000457819	Platinum
1000457820	Polarized Titanium
1000457821	Lace White
1000457822	Pearl White
1000457823	Mat Black
1000457824	BlackGlossy

DRAWING NO	GM124-SF03		
PART NAME	Seat Adjustable Set		
PART NO	See Chart	REV	A
APPROVE	Jo	DATE	10152017



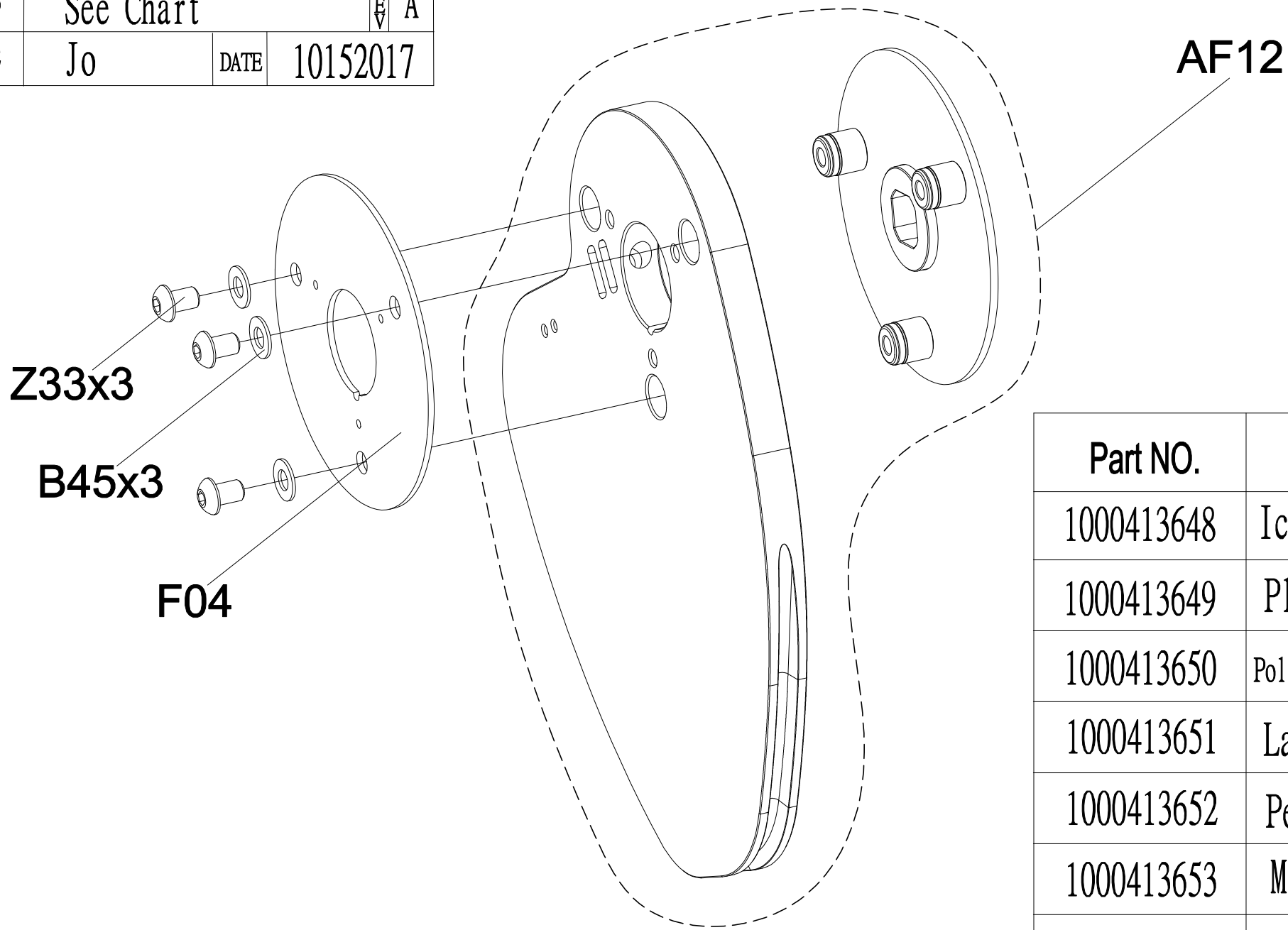
Part NO.	Color
1000413288	Polarized Titanium
1000413289	Lace White
1000413290	BlackGlossy
1000413291	Iced Sliver
1000413292	Platinum
1000413293	Pearl White
1000413294	Mat Black

DRAWING NO	GM124-SF06		
PART NAME	Connect Rod		
PART NO	See Chart	REV	A
APPROVE	Jo	DATE	10152017



Part NO.	Color
1000413283	Iced Sliver
1000413284	Platinum
1000413296	Polarized Titanium
1000413298	Lace White
1000413299	Pearl White
1000413300	Mat Black
1000413301	BlackGlossy

DRAWING NO	GM124-SF07		
PART NAME	Cam Fixing Set		
PART NO	See Chart	REV	A
APPROVE	Jo	DATE	10152017



Part NO.	Color
1000413648	Iced Sliver
1000413649	Platinum
1000413650	Polarized Titanium
1000413651	Lace White
1000413652	Pearl White
1000413653	Mat Black
1000413654	BlackGlossy