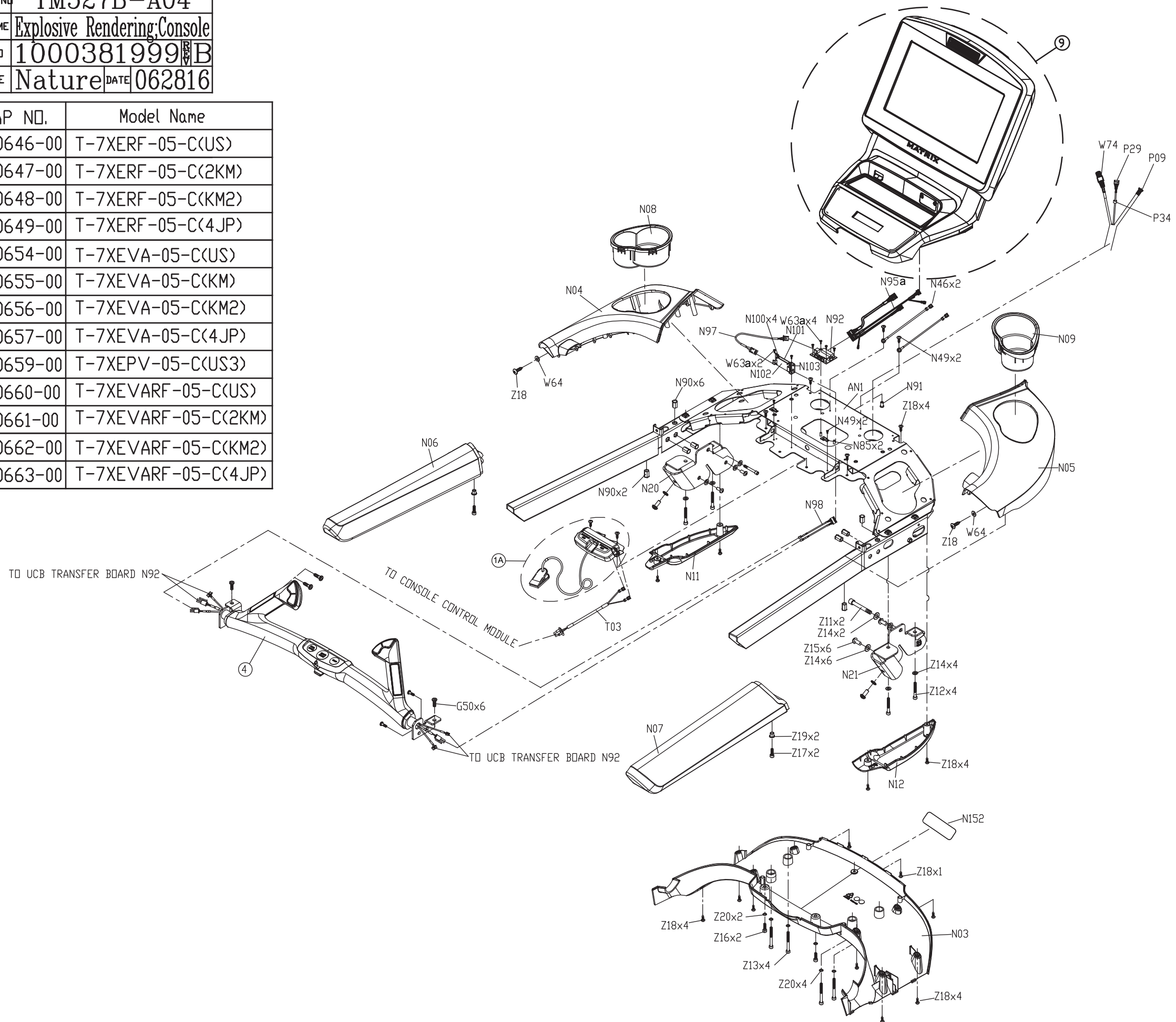
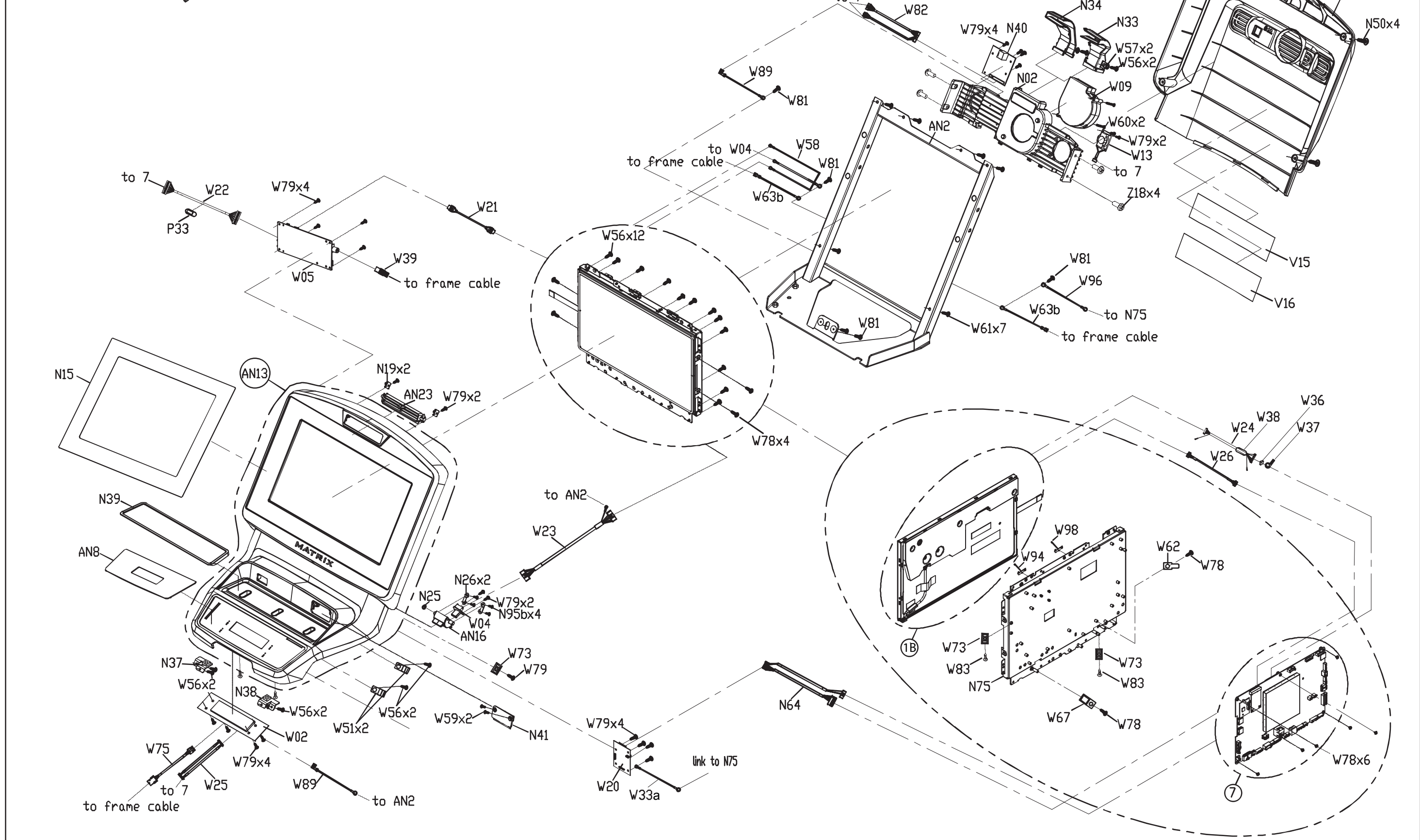


DRAWING NO. **TM527B-A04**  
 PART NAME **Explosive Rendering Console**  
 PART NO. **1000381999**  
 APPROVE **Nature** DATE **062816**

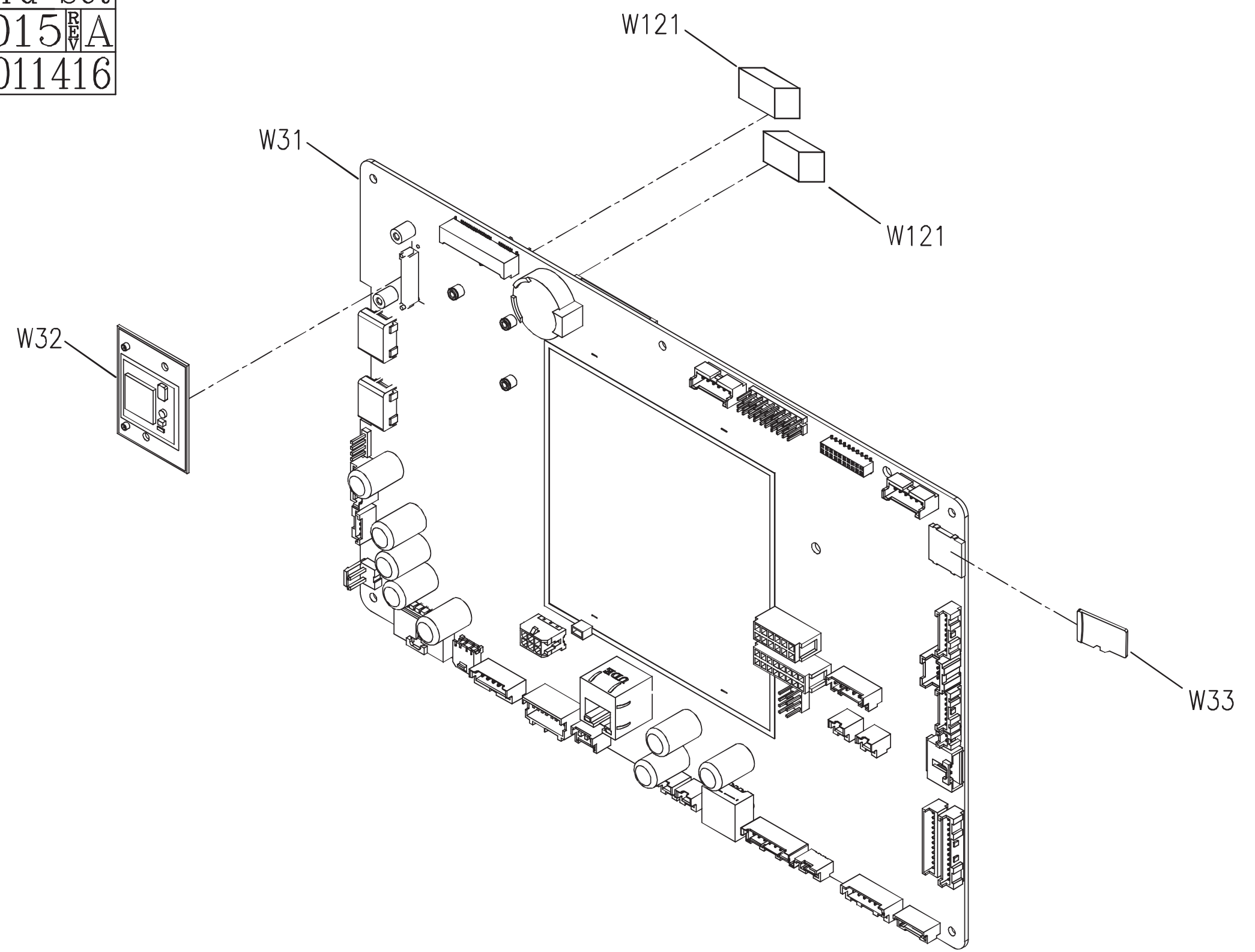
SAP NO.	Model Name
MTM0646-00	T-7XERF-05-C(US)
MTM0647-00	T-7XERF-05-C(2KM)
MTM0648-00	T-7XERF-05-C(KM2)
MTM0649-00	T-7XERF-05-C(4JP)
MTM0654-00	T-7XEVA-05-C(US)
MTM0655-00	T-7XEVA-05-C(KM)
MTM0656-00	T-7XEVA-05-C(KM2)
MTM0657-00	T-7XEVA-05-C(4JP)
MTM0659-00	T-7XEPV-05-C(US3)
MTM0660-00	T-7XEVARF-05-C(US)
MTM0661-00	T-7XEVARF-05-C(2KM)
MTM0662-00	T-7XEVARF-05-C(KM2)
MTM0663-00	T-7XEVARF-05-C(4JP)



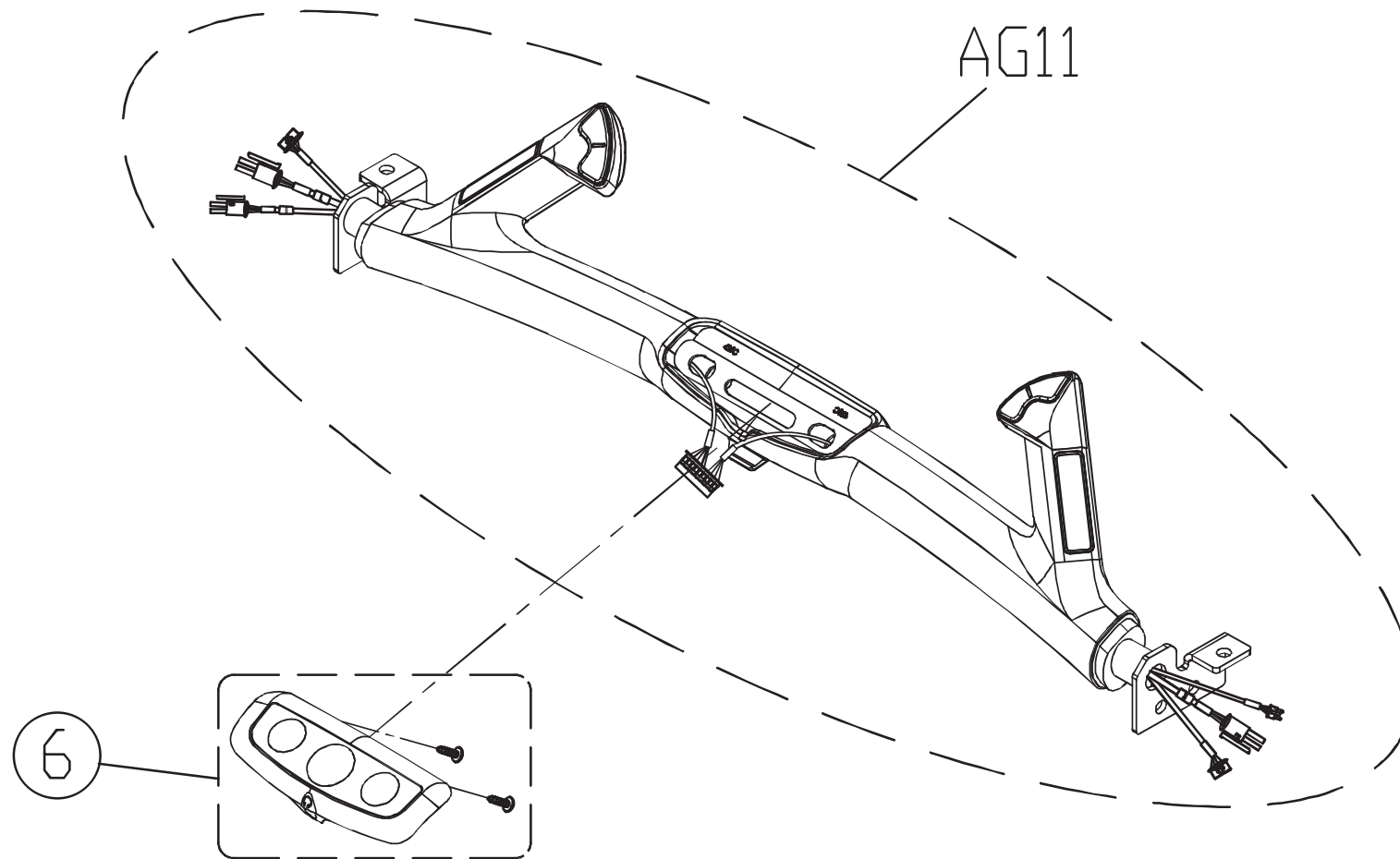
DRAWING NO	TM527C-AN38		
PART NAME	Console Set		
PART NO	1000382029	REV	C
APPROVE	Sunny	DATE	062016



DRAWING NO	TM527C-AW31		
PART NAME	Control Board Set		
PART NO	1000382015 <sup>REV</sup> A		
APPROVE	Nature	DATE	011416

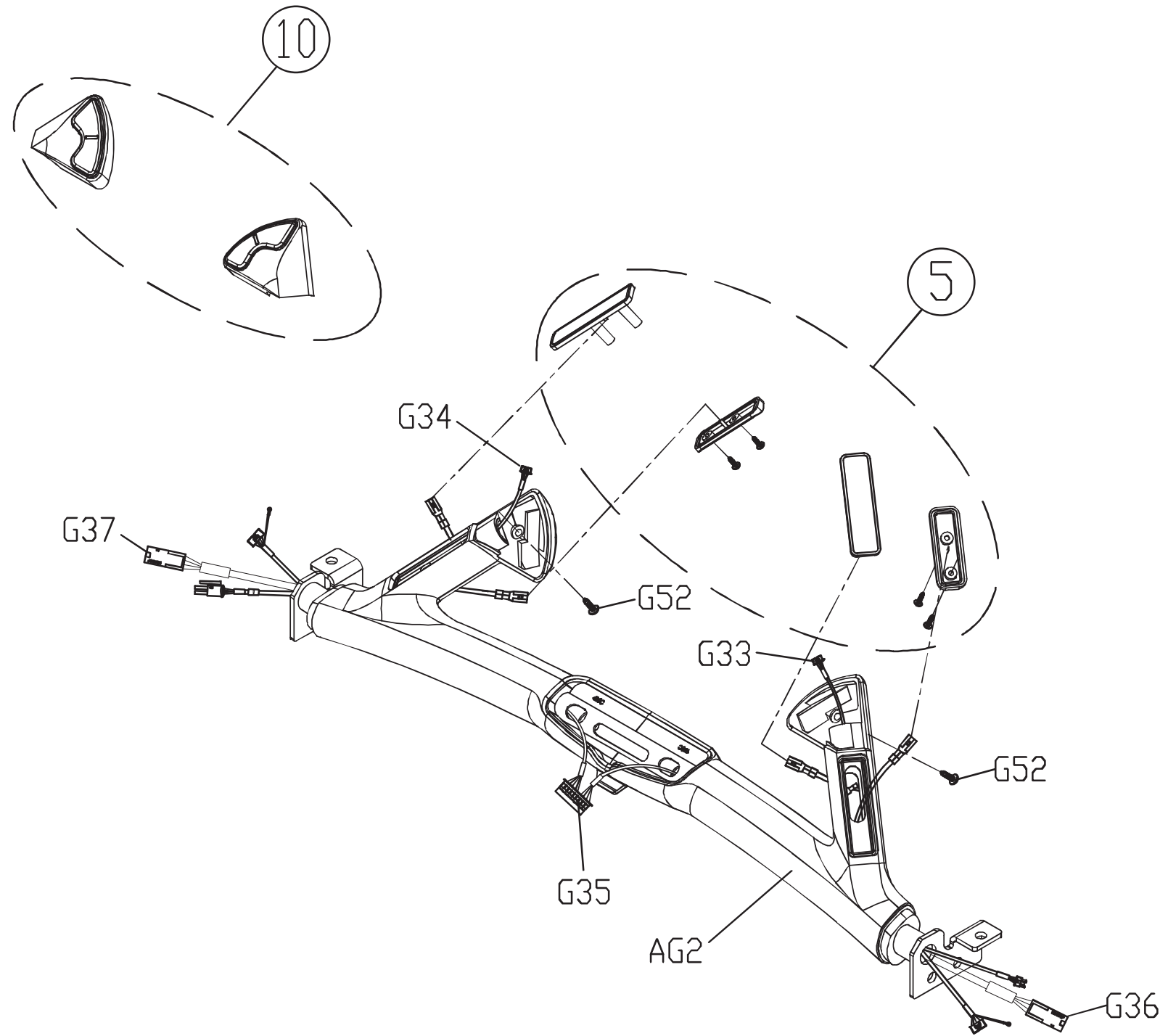


DRAWING NO	TM527-AG21		
PART NAME	Handlebar Set		
PART NO	As Attachment <sup>REV</sup> B		
APPROVE	SHUYI	DATE	052115

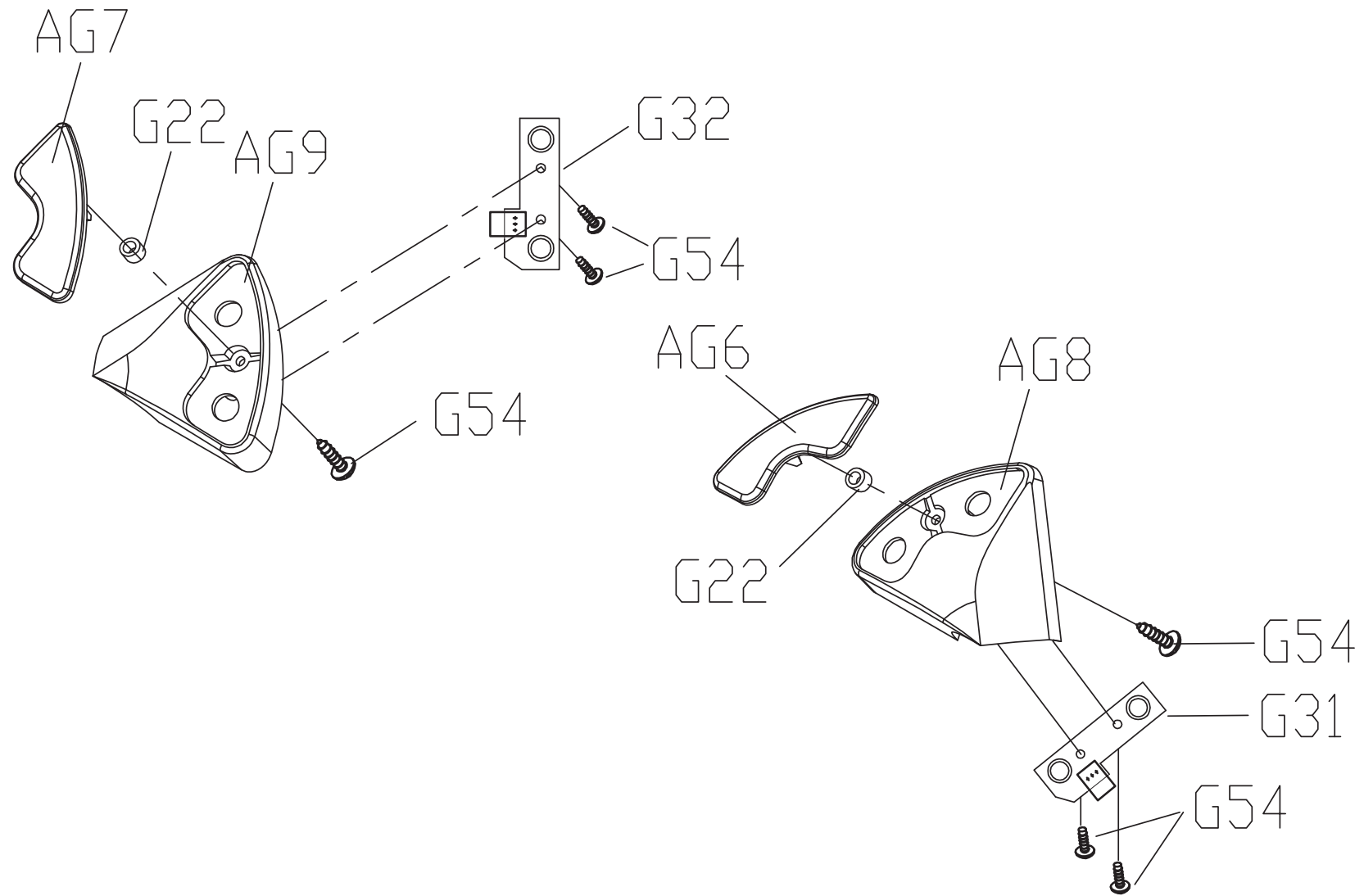


Part NO	Description
1000356217	Handlebar Set;English
1000361041	Handlebar Set;German
1000361043	Handlebar Set;Spanish
1000361045	Handlebar Set;Italian
1000361047	Handlebar Set;French
1000361050	Handlebar Set;Dutch
1000361052	Handlebar Set;Polish
1000361054	Handlebar Set;Portuguese
1000356360	Handlebar Set;Japan

DRAWING NO	TM527-AG11		
PART NAME	Handlebar Set		
PART NO	1000356383	REV	C
APPROVE	Hsinyen	DATE	030915



DRAWING NO	TM502-AG12		
PART NAME	Quick Key Set		
PART NO	0000089687 <sup>R</sup> <sub>REV</sub> B		
APPROVE	SHUYI	DATE	101211

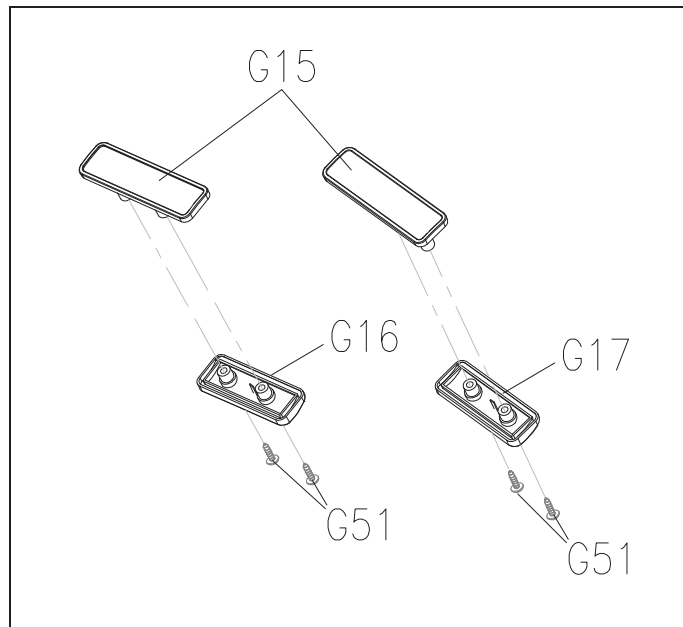




# T7x-01-C

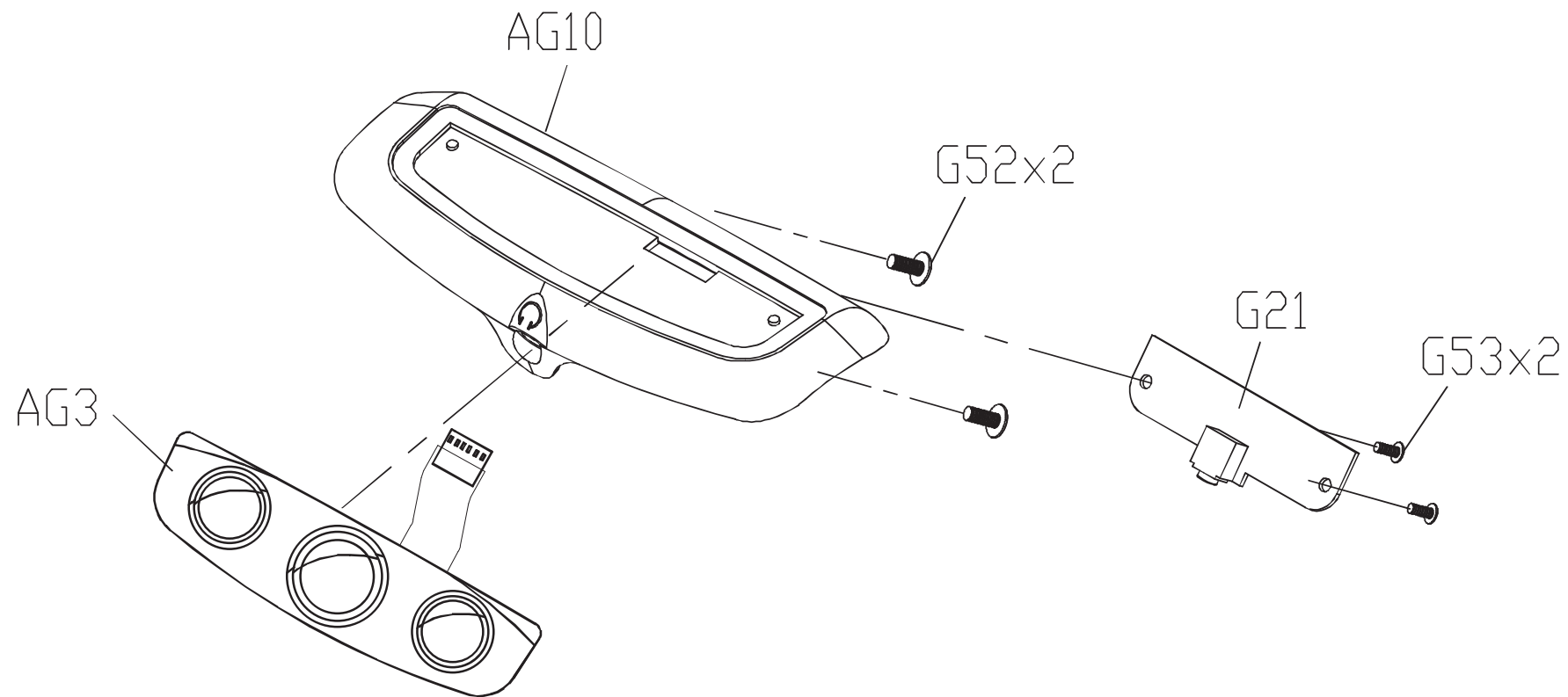
0000091816

## HR GRIP COVER SET



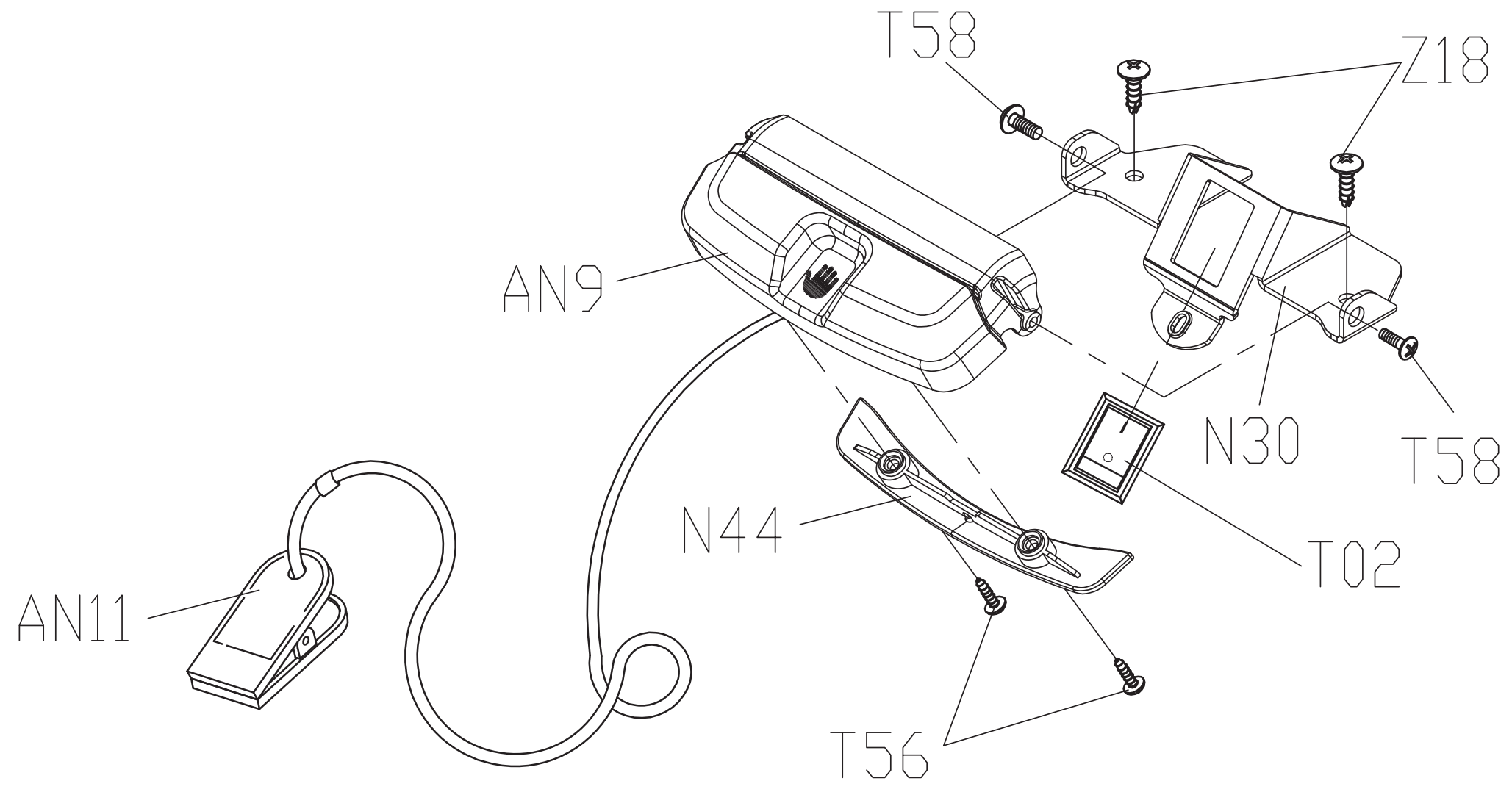
Item No.	SAP Part NO	Description	QTY
G15	0000086068	COVER; SENSOR; UPPER	2
G16	0000086092	COVER; SENSOR; LEFT;	1
G17	0000086271	COVER; SENSOR; RIGHT;	1
G51	0000087858	SCREW; PHILLIP; ROUND;	4

DRAWING NO	TM527-AG22		
PART NAME	Quick Start Overlay Set		
PART NO	As Attachment <sup>R</sup> / <sub>E</sub> / <sub>D</sub>		
APPROVE	Heady	DATE	060116



Part NO	Description
1000385846	ES/MS;English;T-7xe-05-C
1000385847	MS;German;T-7xe-05-C
1000385848	MS;Spanish;T-7xe-05-C
1000385849	MS;Italian;T-7xe-05-C
1000385850	MS;French;T-7xe-05-C
1000385851	MS;Dutch;T-7xe-05-C
1000385852	MS;Polish;T-7xe-05-C
1000385853	MS;Portuguese;T-7xe-05-C
1000385854	MS;Japan;T-7xe-05-C

DRAWING NO	TM501-AT6		
PART NAME	SAFETY KEY SET		
PART NO	1000233602 <sup>R</sup> / <sub>B</sub>		
APPROVE	S.T.C	DATE	083112



DRAWING NO	TM501-AT13		
PART NAME	Safety Switch Set		
PART NO	1000352475 <sup>R</sup> <sub>B</sub>		
APPROVE	JARVIS	DATE	100314

Note: Length of assembly(Chip/Key ring)860~870mm

