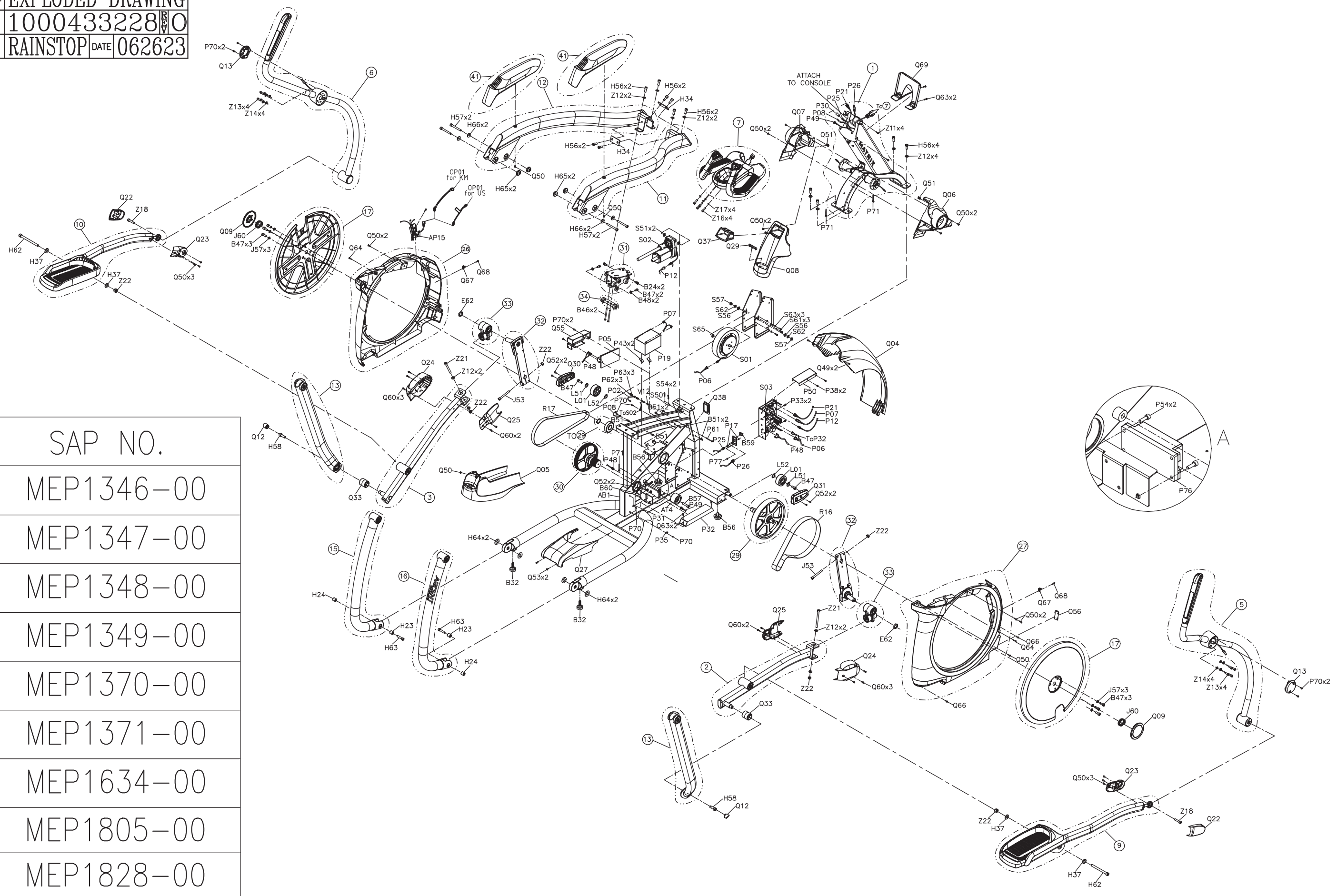
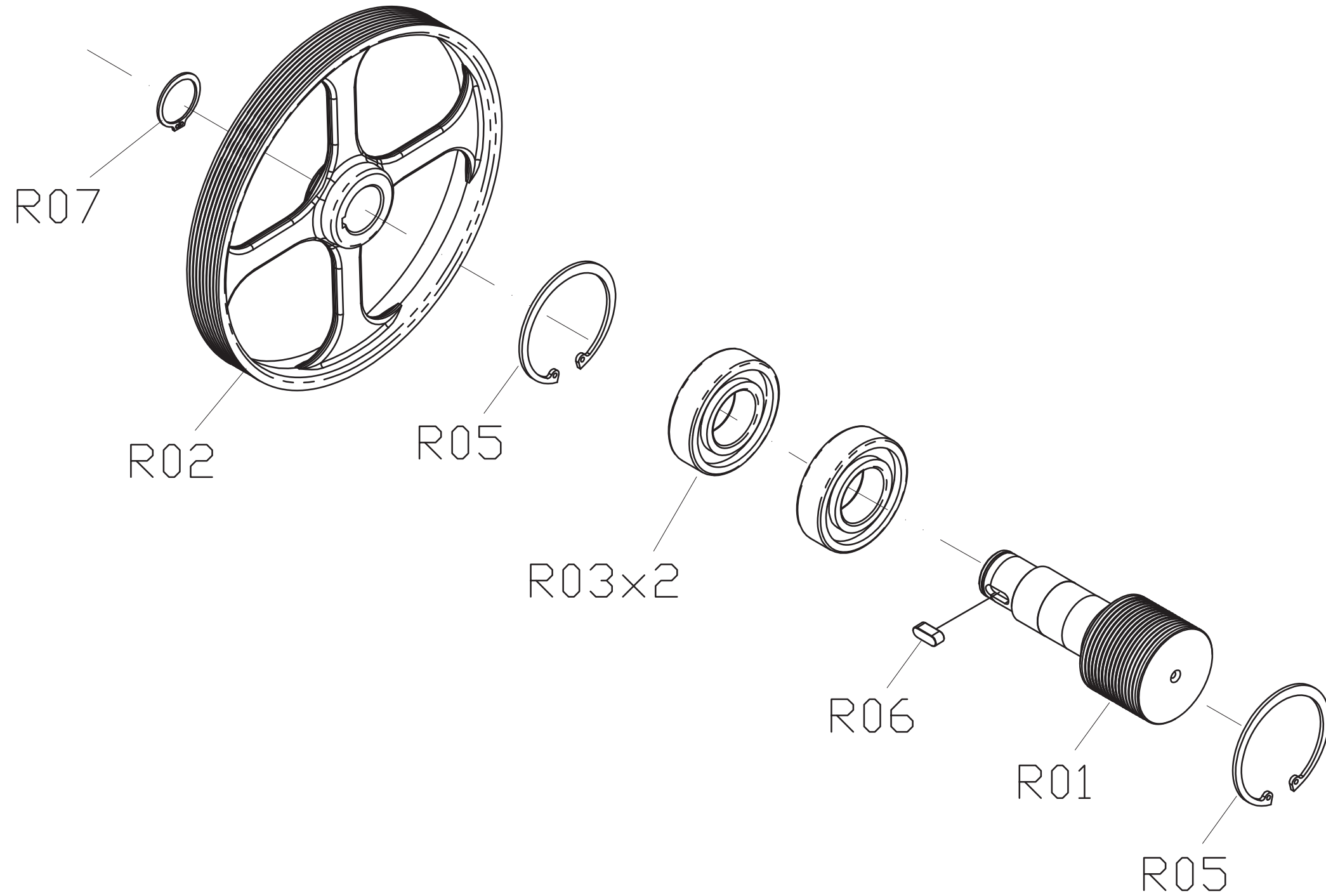


DRAWING NO	EP630-A04		
PART NAME	EXPLODED DRAWING		
PART NO	1000433228		
APPROVE	RAINSTOP	DATE	062623

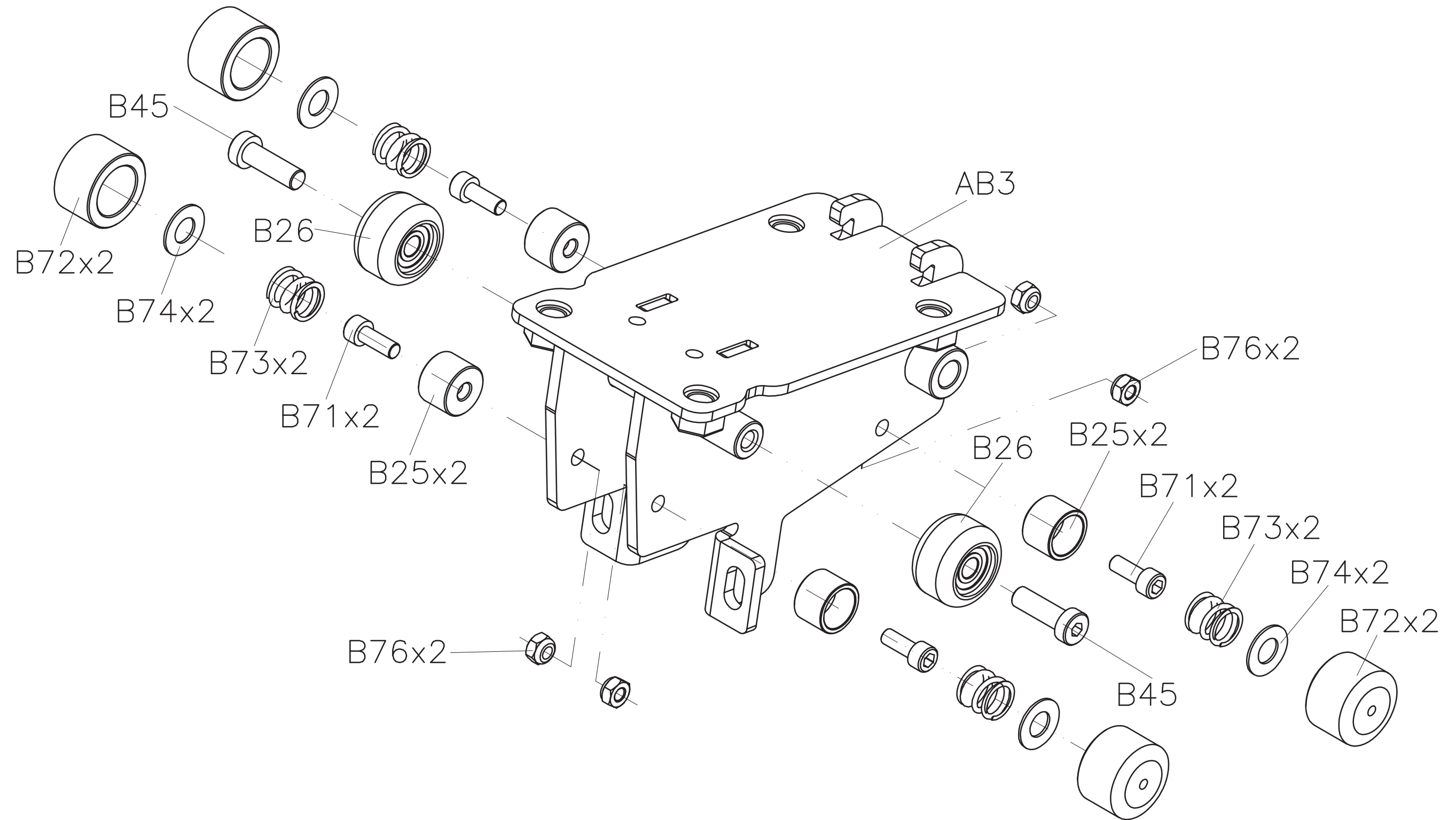


SAP NO.
MEP1346-00
MEP1347-00
MEP1348-00
MEP1349-00
MEP1370-00
MEP1371-00
MEP1634-00
MEP1805-00
MEP1828-00

DRAWING NO	EP78-AR11		
PART NAME	PULLEY SET		
PART NO	0000089635 ^{REV} B		
APPROVE	tsaijw	DATE	112910

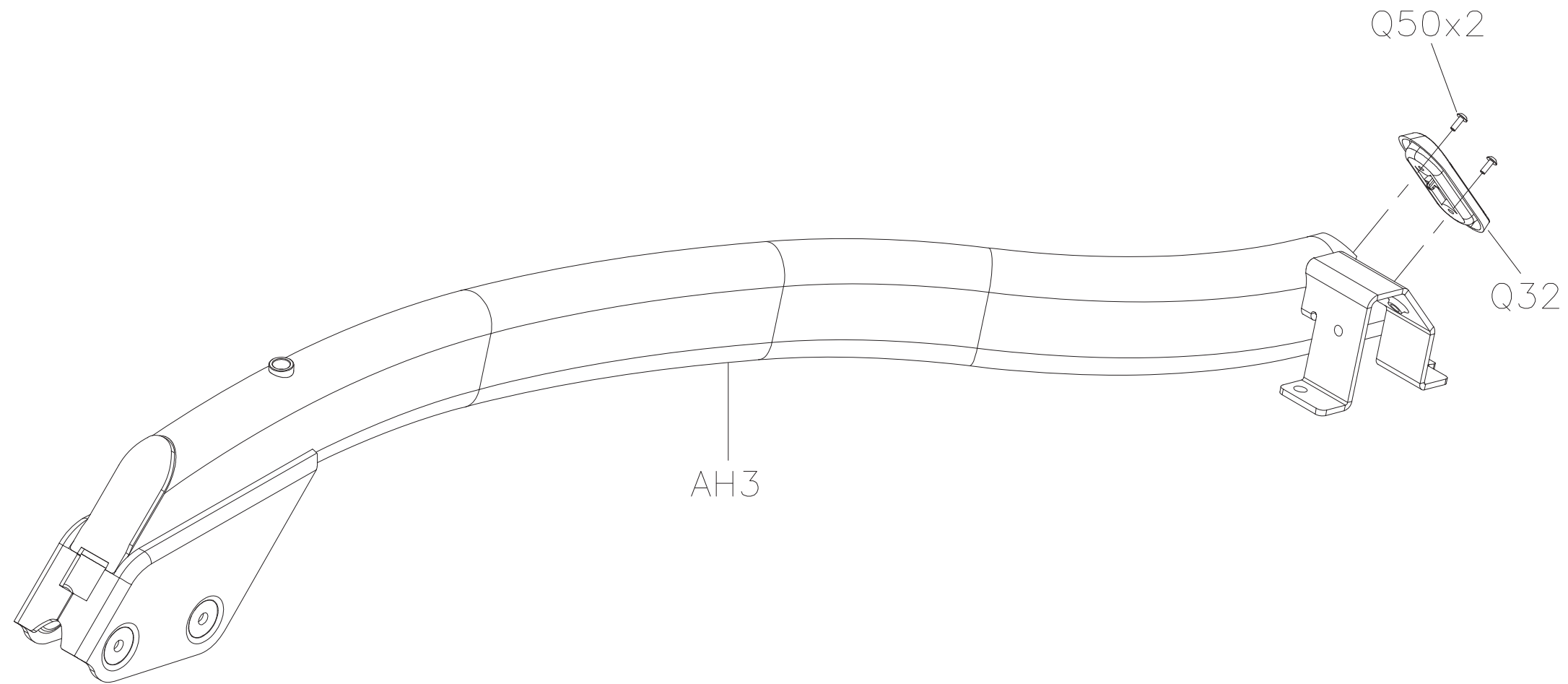


DRAWING NO	EP306-AB5		
PART NAME	MOTOR CARRIAGE SET		
PART NO	0000094930 ^{REV} B		
APPROVE	MAX	DATE	20110628

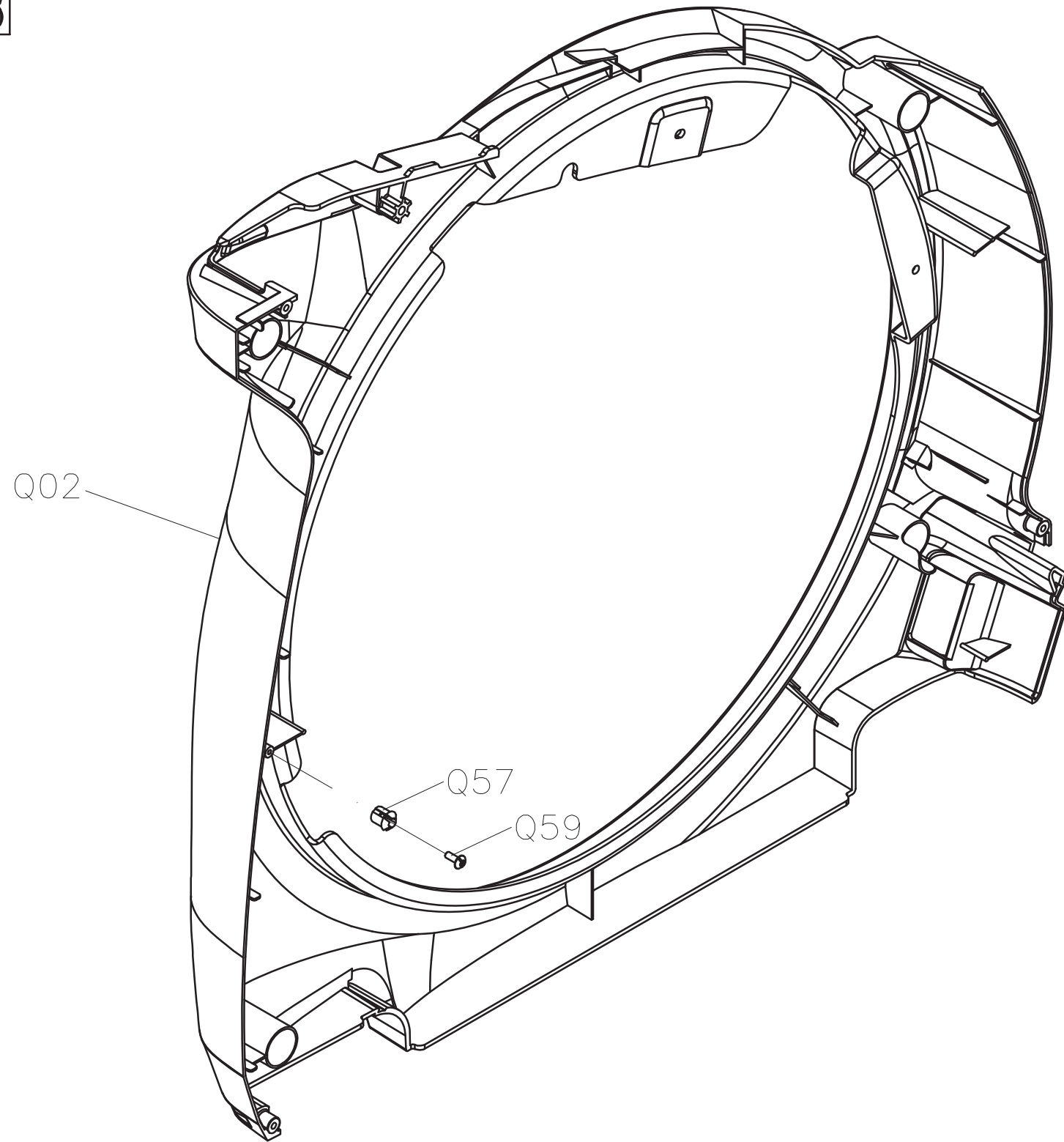


DRAWING NO	EP308-AH24		
PART NAME	LEFT CONNECTION ARM SET		
PART NO	See Attached ^R _E		
APPROVE	tsaijw	DATE	20200710

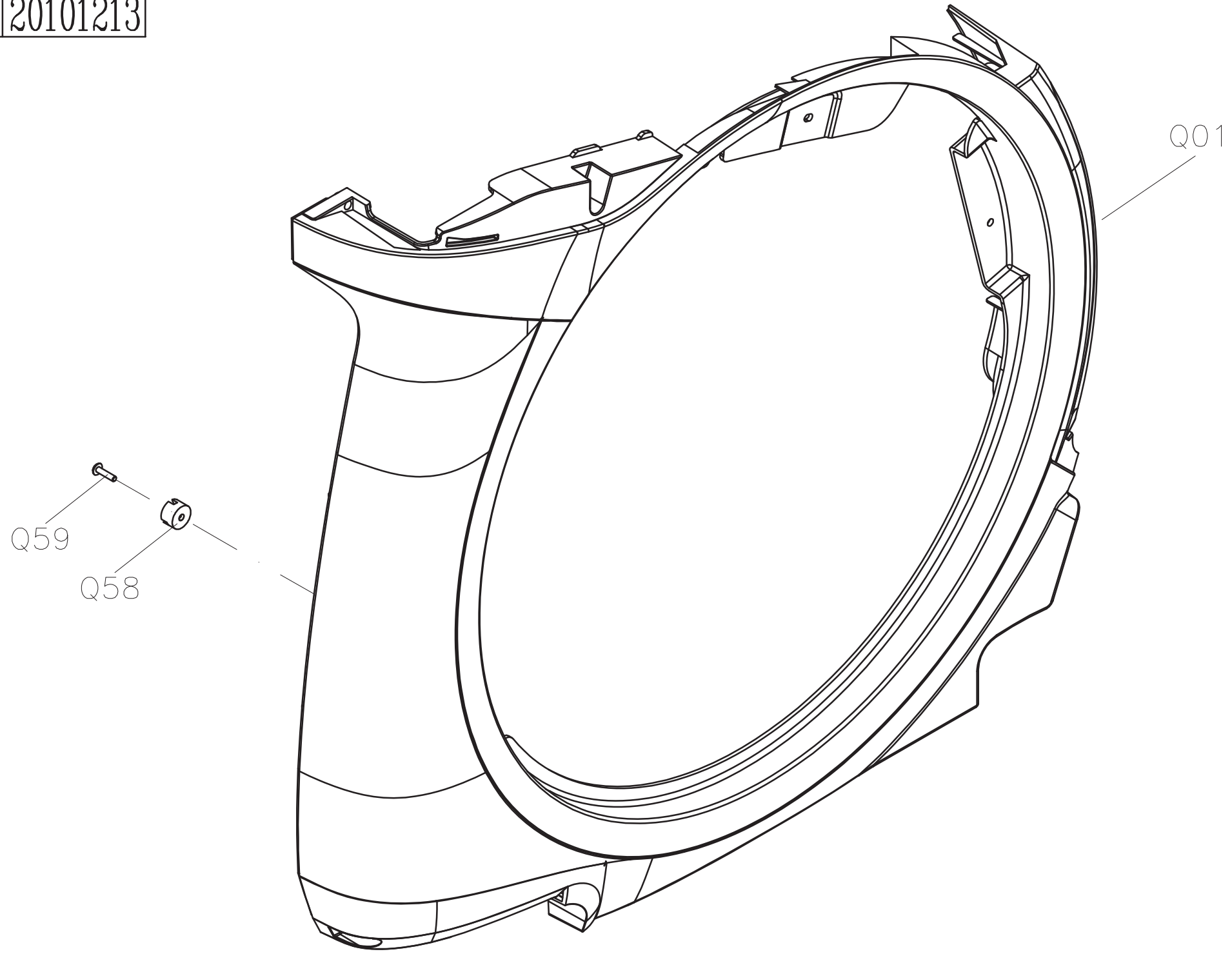
SAP No.	Description
0000095060	SLIVER
1000348929	BLACK MATTE(Fitness park)
1000349021	BLACK MATTE(Groupe moving)



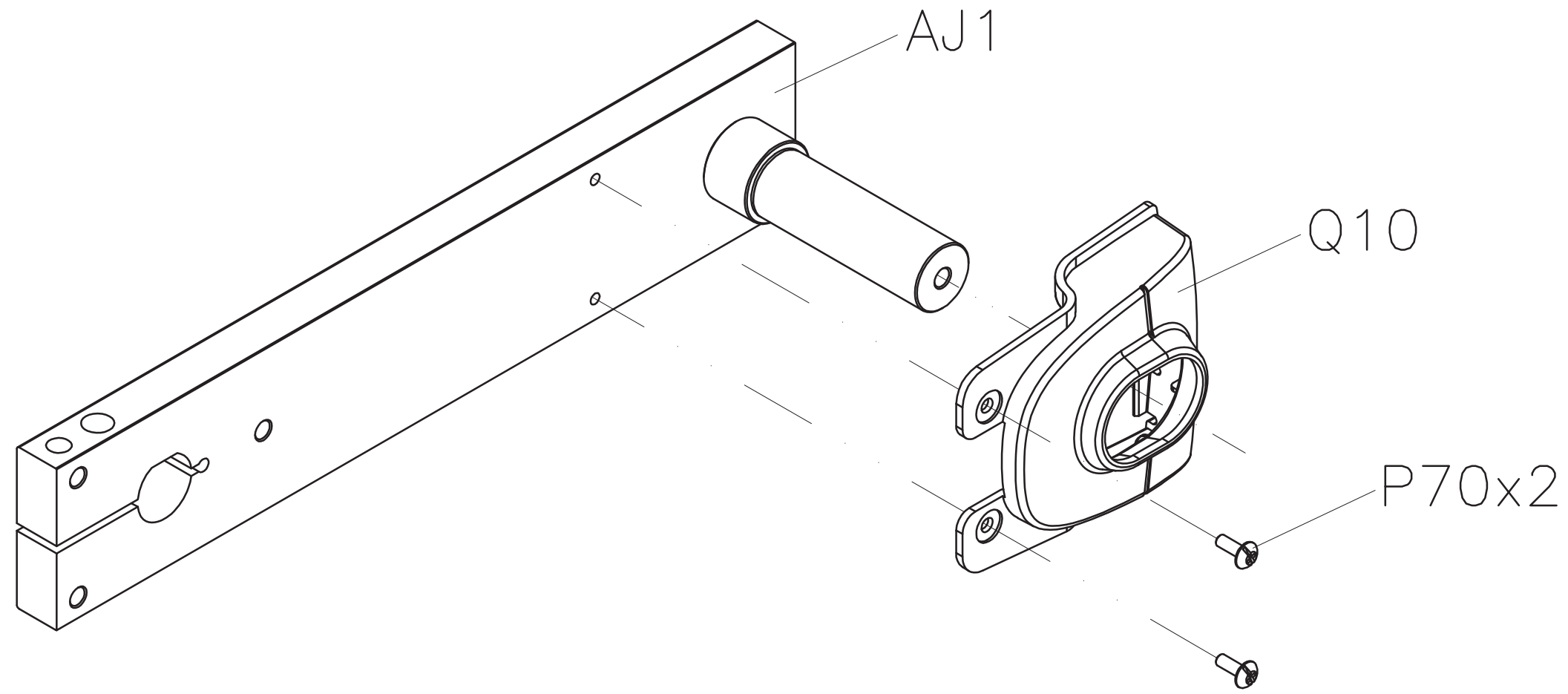
DRAWING NO	EP304-AQ11		
PART NAME	LEFT SIDE COVER SET		
PART NO	0000095068 ^R ₁ A		
APPROVE	tsaijw	DATE	20101213



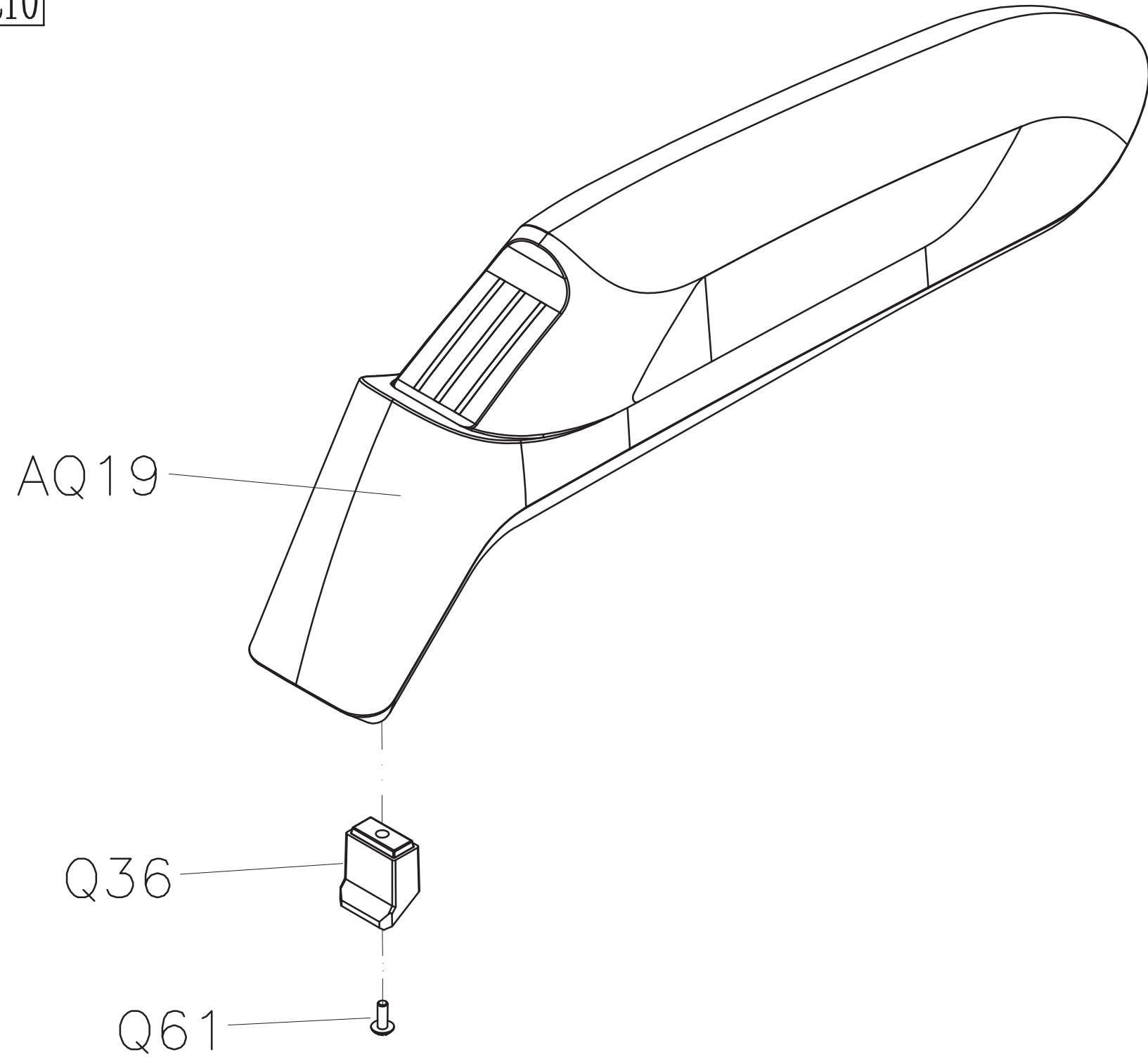
DRAWING NO	EP304-AQ12		
PART NAME	RIGHT SIDE COVER SET		
PART NO	0000095071 ^R _A		
APPROVE	tsaijw	DATE	20101213



DRAWING NO	EP304-AJ12		
PART NAME	CRANK SET		
PART NO	0000095121 ^R _B		
APPROVE	Tsaijw	DATE	20110909

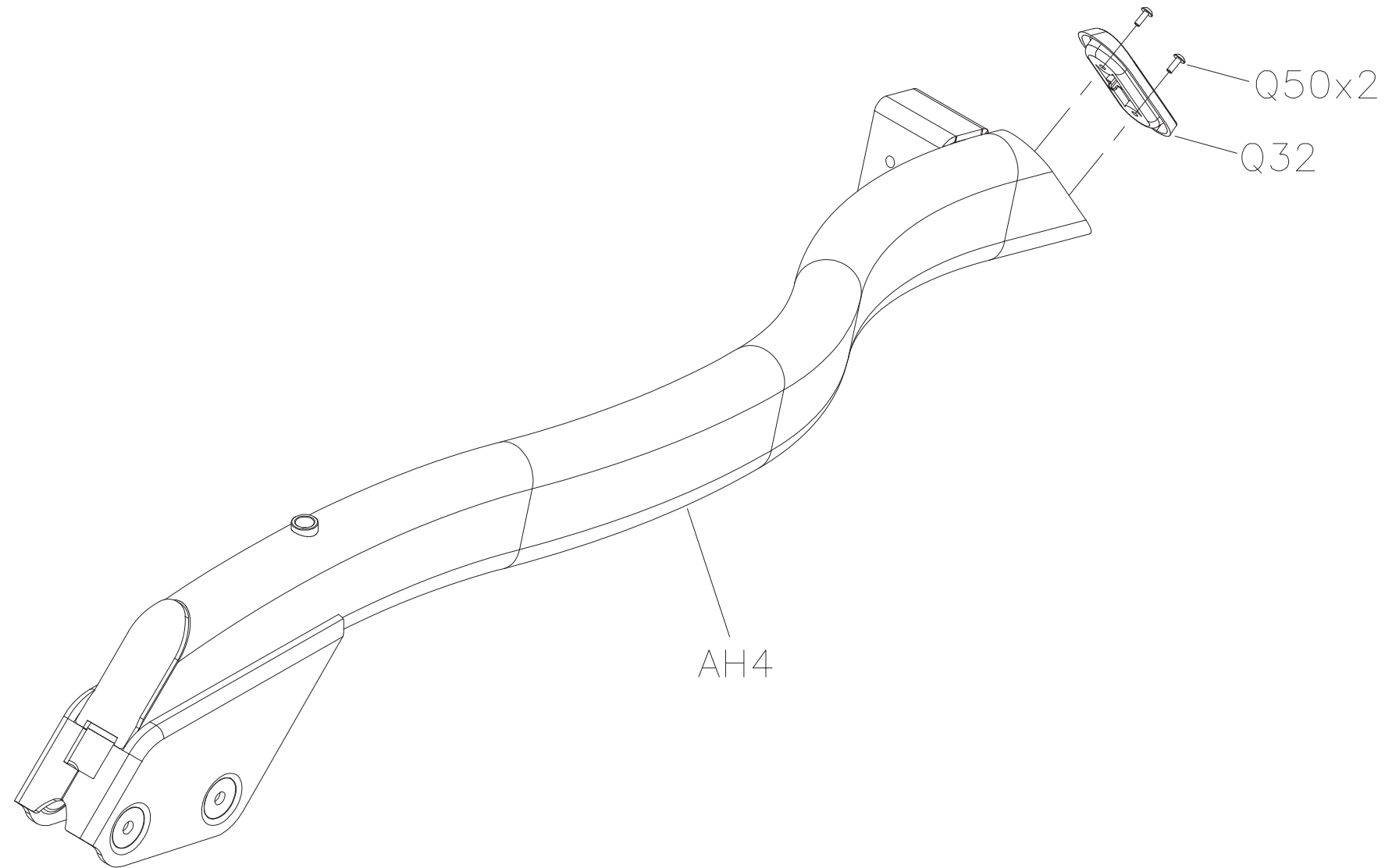


DRAWING NO	EP308-AQ21		
PART NAME	Incline arm cover		
PART NO	0000095212 ^R ₁ A		
APPROVE	MAX	DATE	20101210

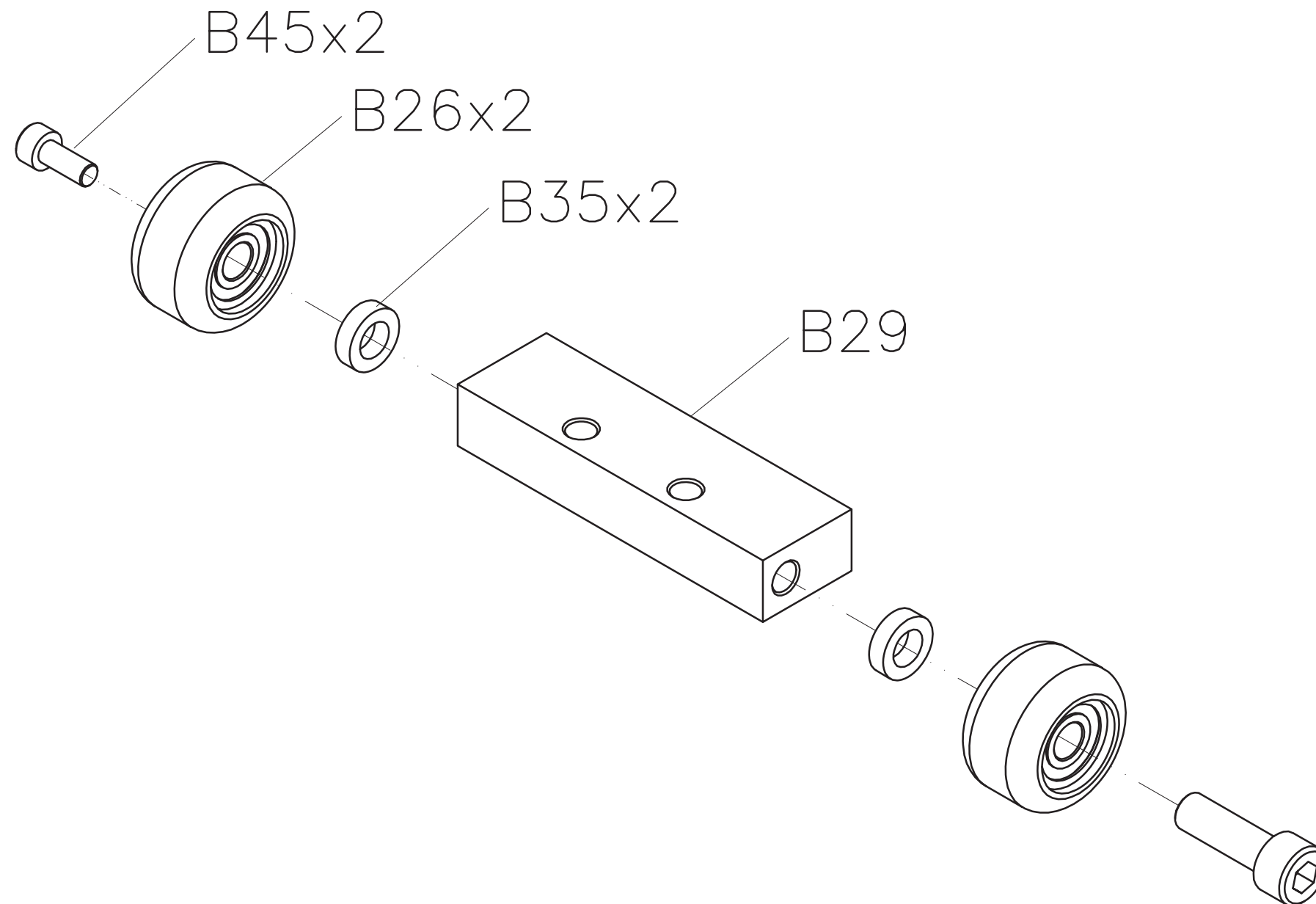


DRAWING NO	EP308-AH23		
PART NAME	RIGHT CONNECTION ARM SET		
PART NO	See attached ^{REV} E		
APPROVE	tsaijw	DATE	20200710

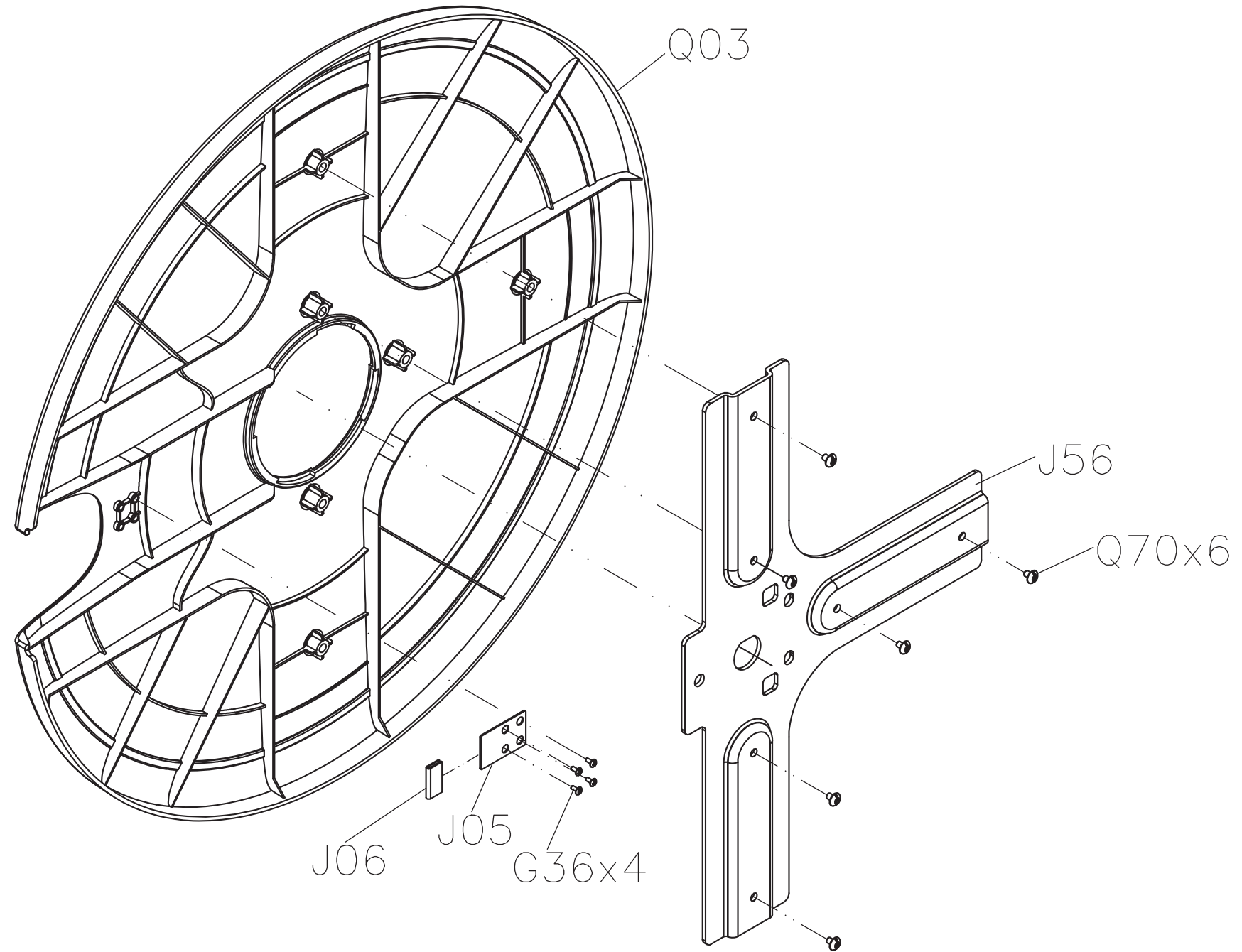
SAP No.	Description
0000095217	SLIVER
1000348928	BLACK MATTE(Fitness park)
1000349020	BLACK MATTE(Groupe moving)



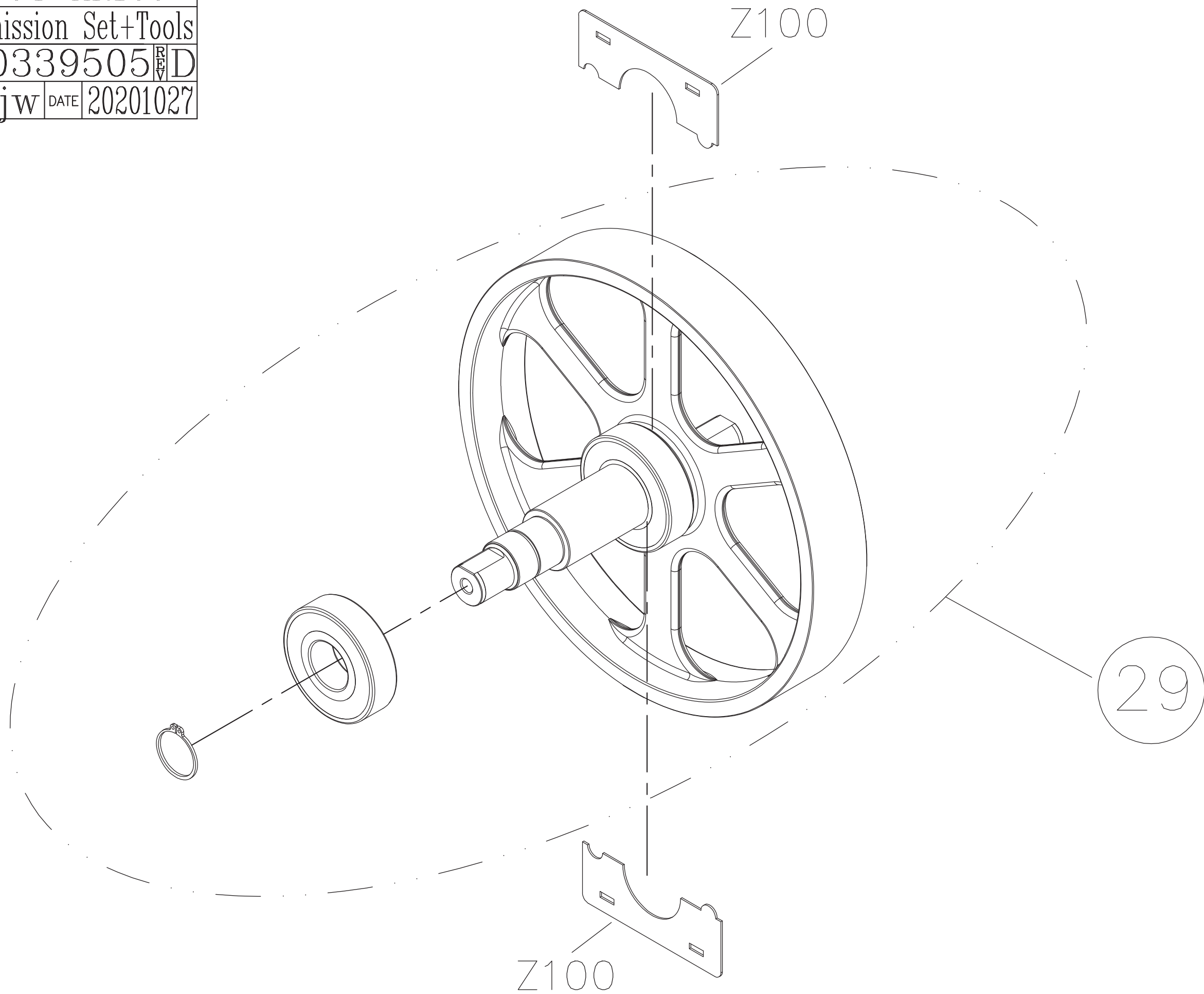
DRAWING NO	EP306-AB7		
PART NAME	ADJUST ROLLER SET		
PART NO	1000212320 ^R ₁ A		
APPROVE	MAX	DATE	20101210



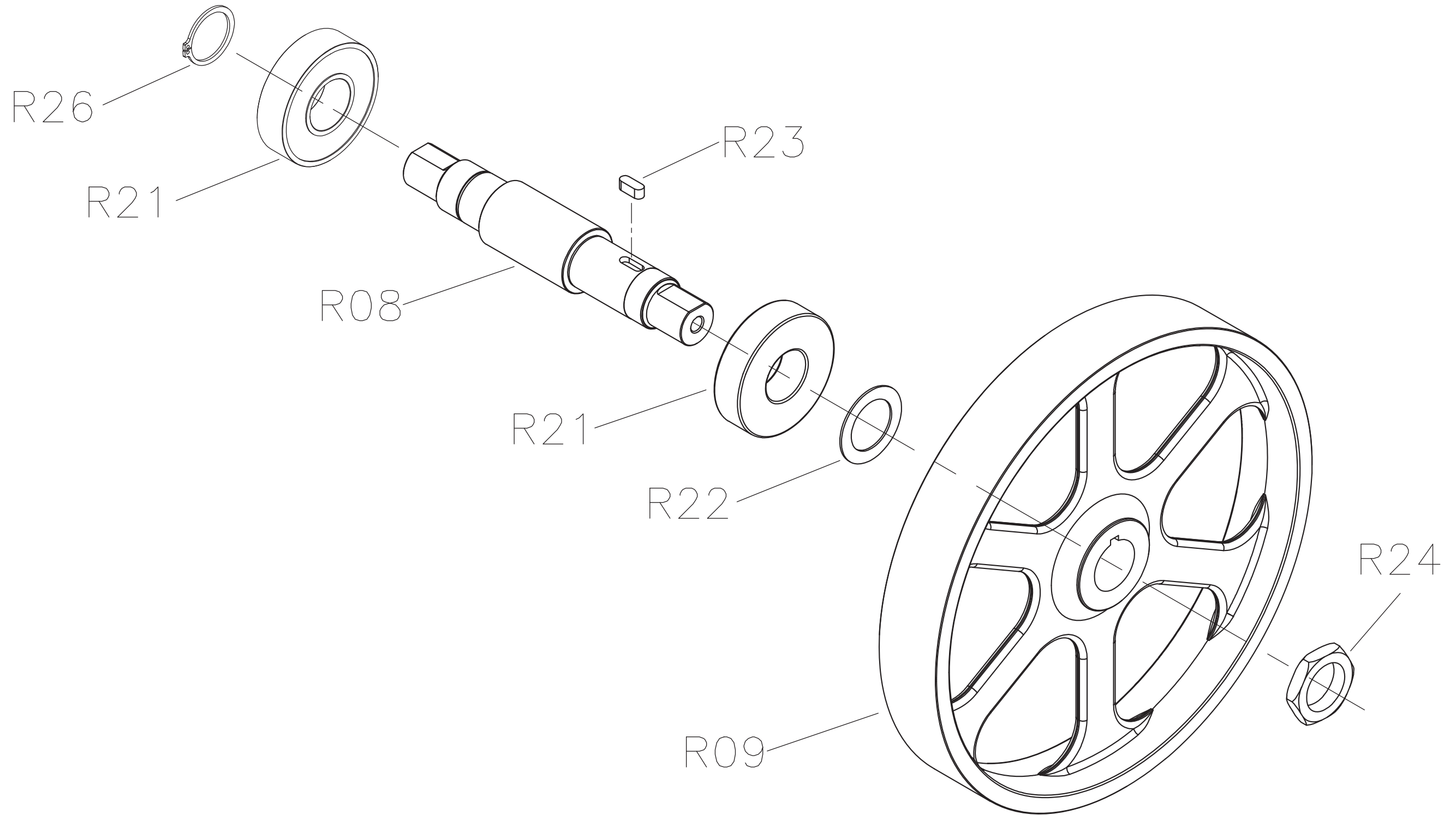
DRAWING NO	EP308-AJ13		
PART NAME	CRANK ROUND DISK SET		
PART NO	1000215874	REV	C
APPROVE	RICK	DATE	20220915



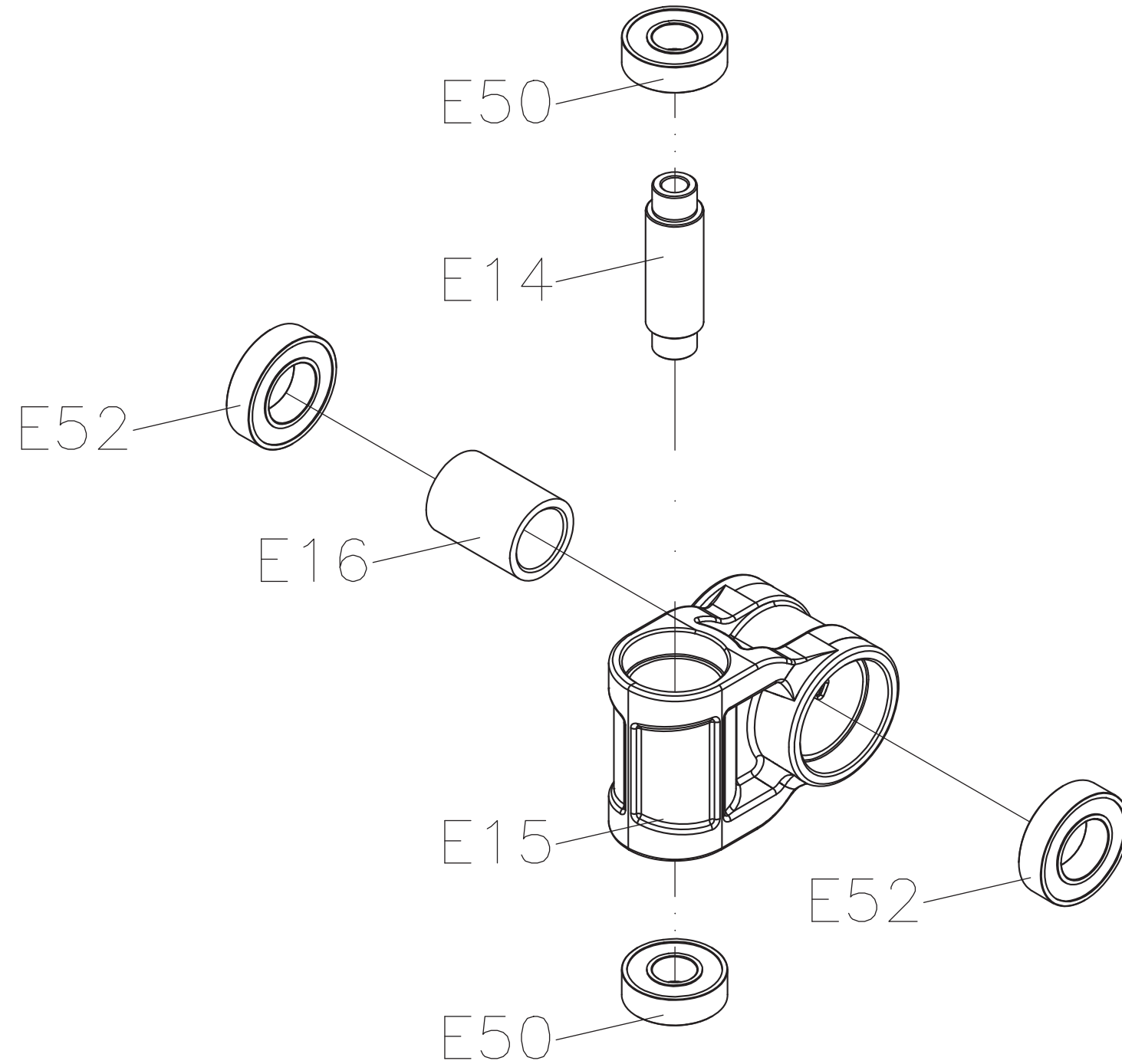
DRAWING NO	EP304-AR100		
PART NAME	Transmission Set+Tools		
PART NO	1000339505 <small>REV</small> D		
APPROVE	tsaijw	DATE	20201027



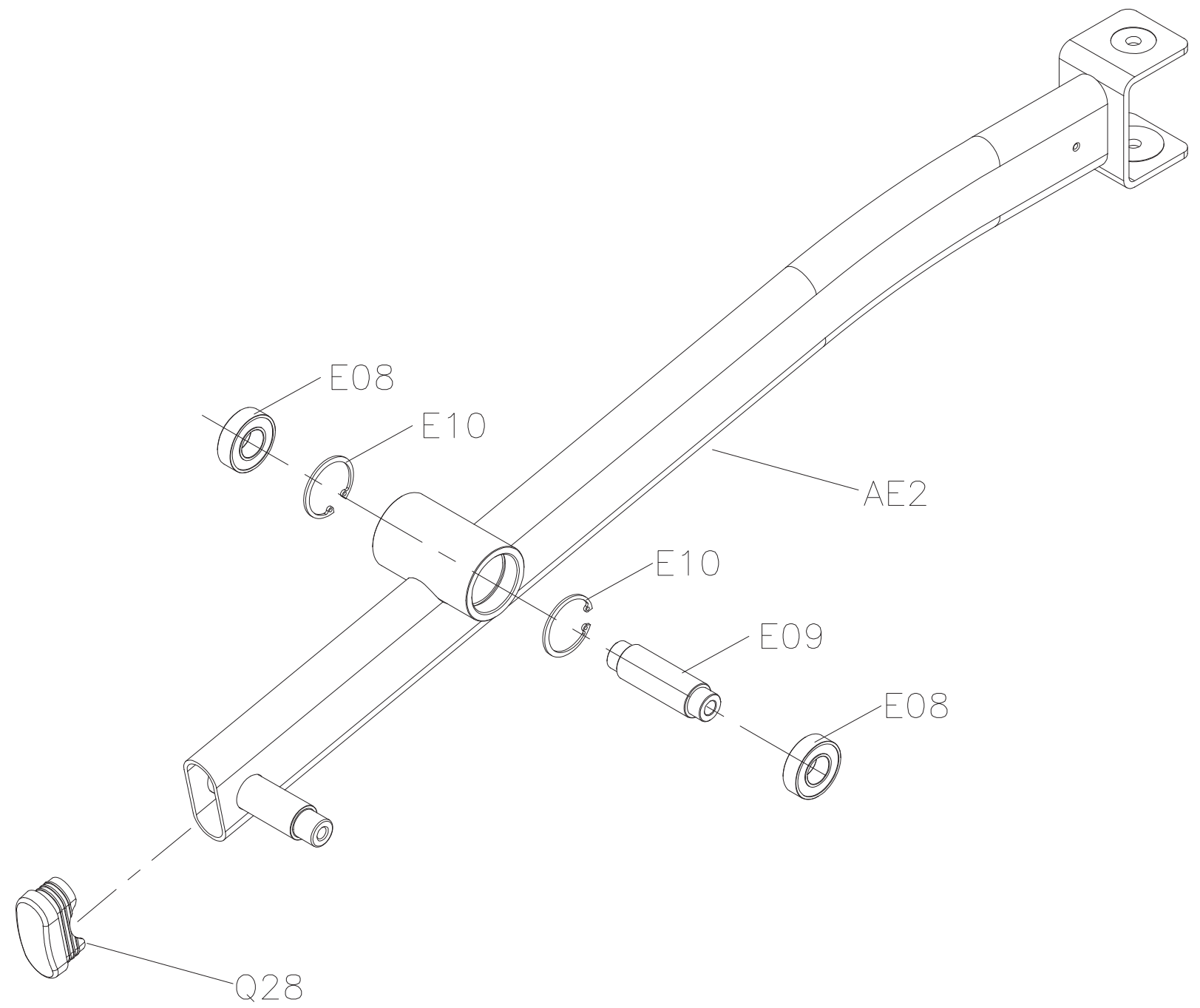
DRAWING NO	EP304-AR5		
PART NAME	DRIVE AXLE SET		
PART NO	1000206975	REV	B
APPROVE	tsaijw	DATE	20201027



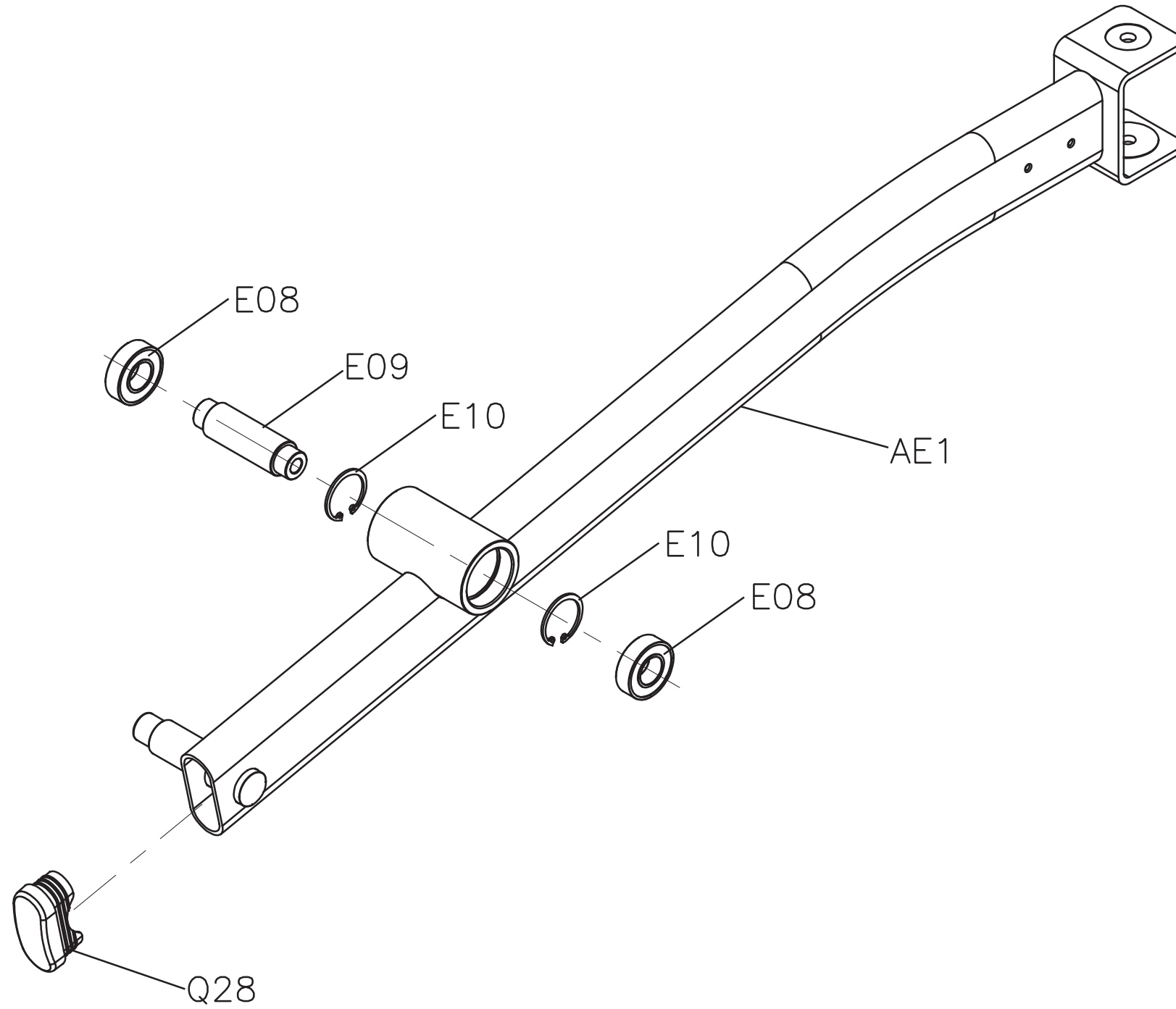
DRAWING NO	EP304B-AE5		
PART NAME	Crank Sleeve Set		
PART NO	1000347355	REV	C
APPROVE	RICK	DATE	073021



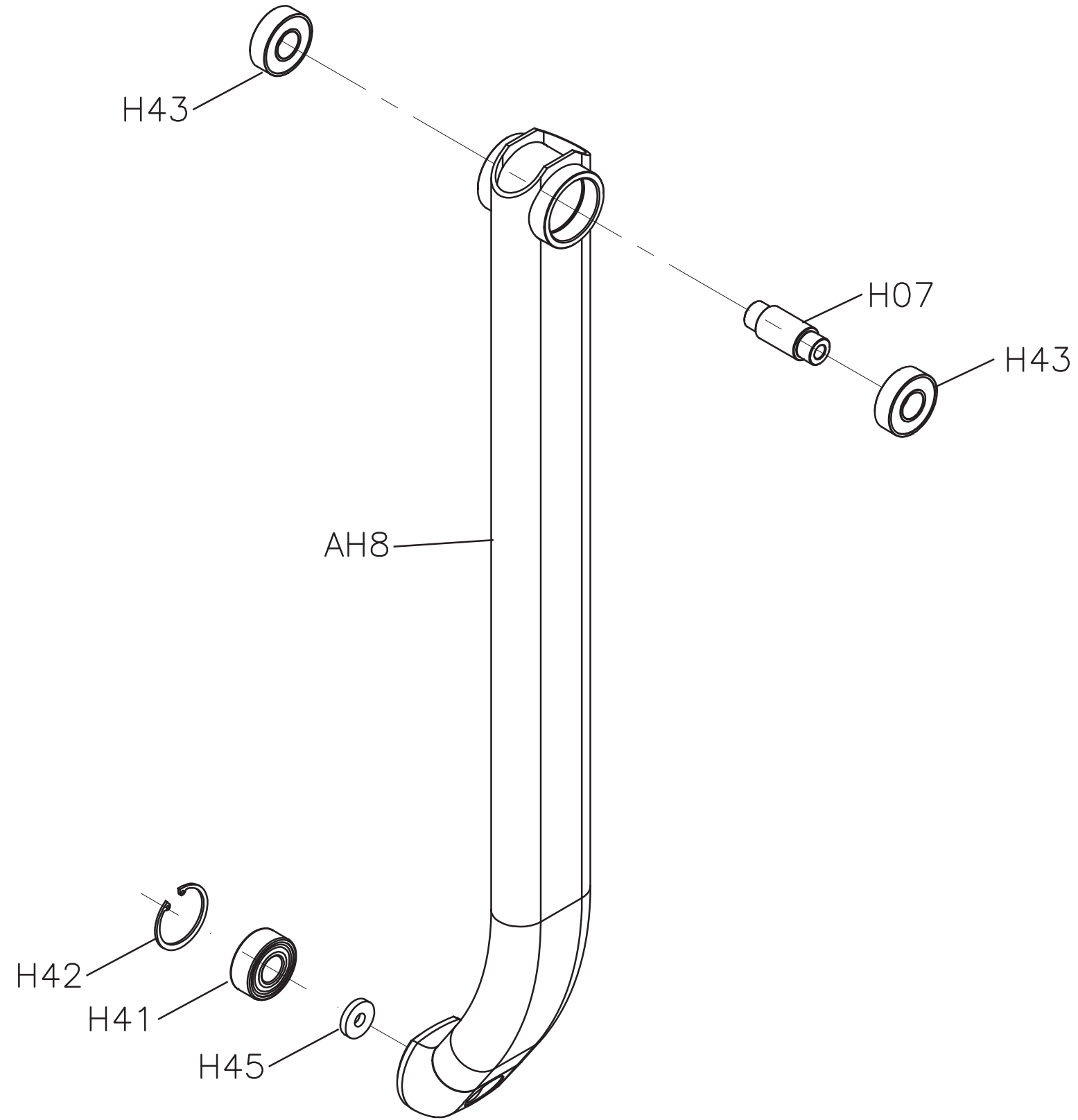
DRAWING NO	EP304M-AE11		
PART NAME	Pedal arm set;Right		
PART NO	1000417427	REV	A
APPROVE	AMELIE	DATE	20171130



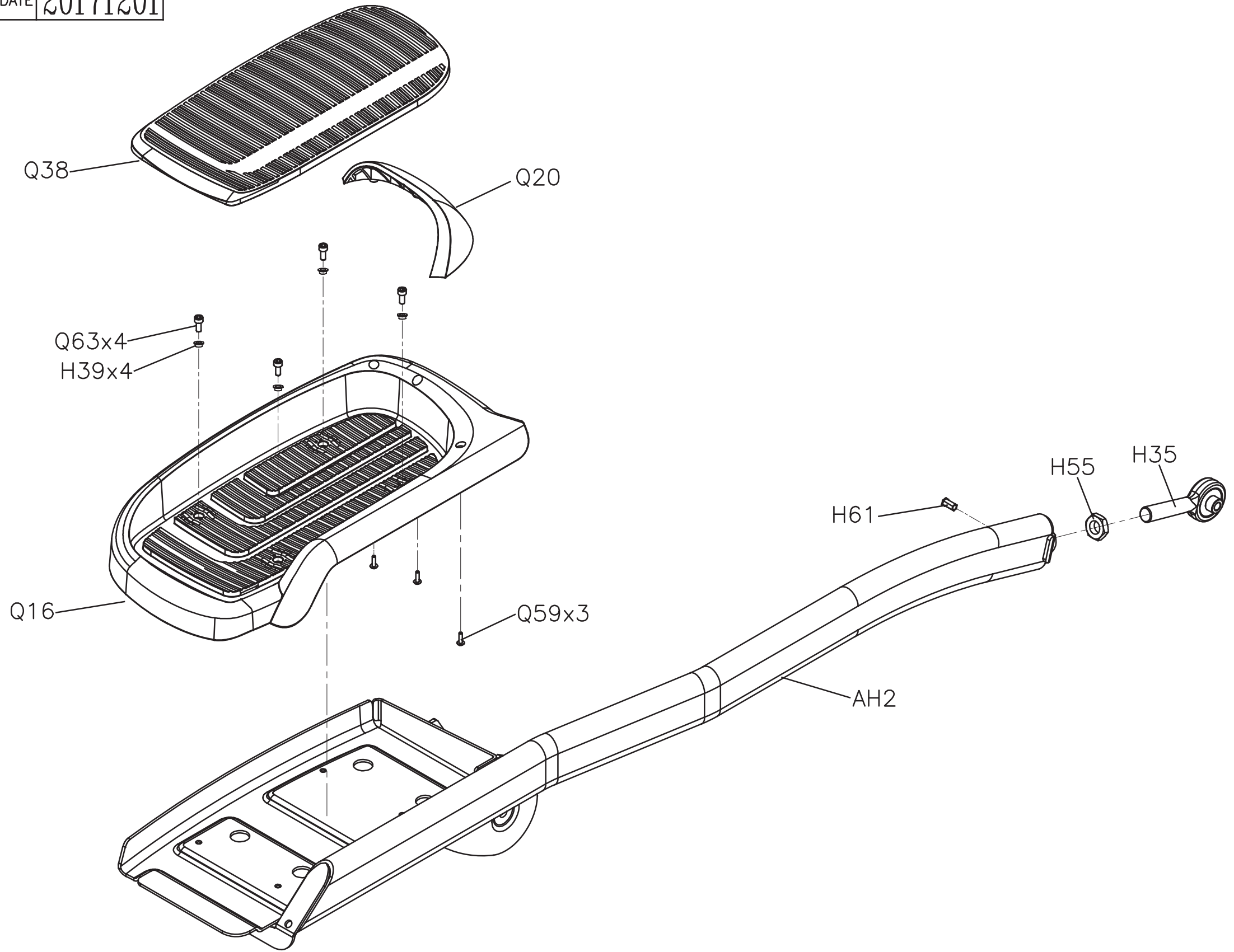
DRAWING NO	EP304M-AE12		
PART NAME	Pedal arm set;Left		
PART NO	1000417429 ^R _{REV} A		
APPROVE	AMELIE	DATE	20171130



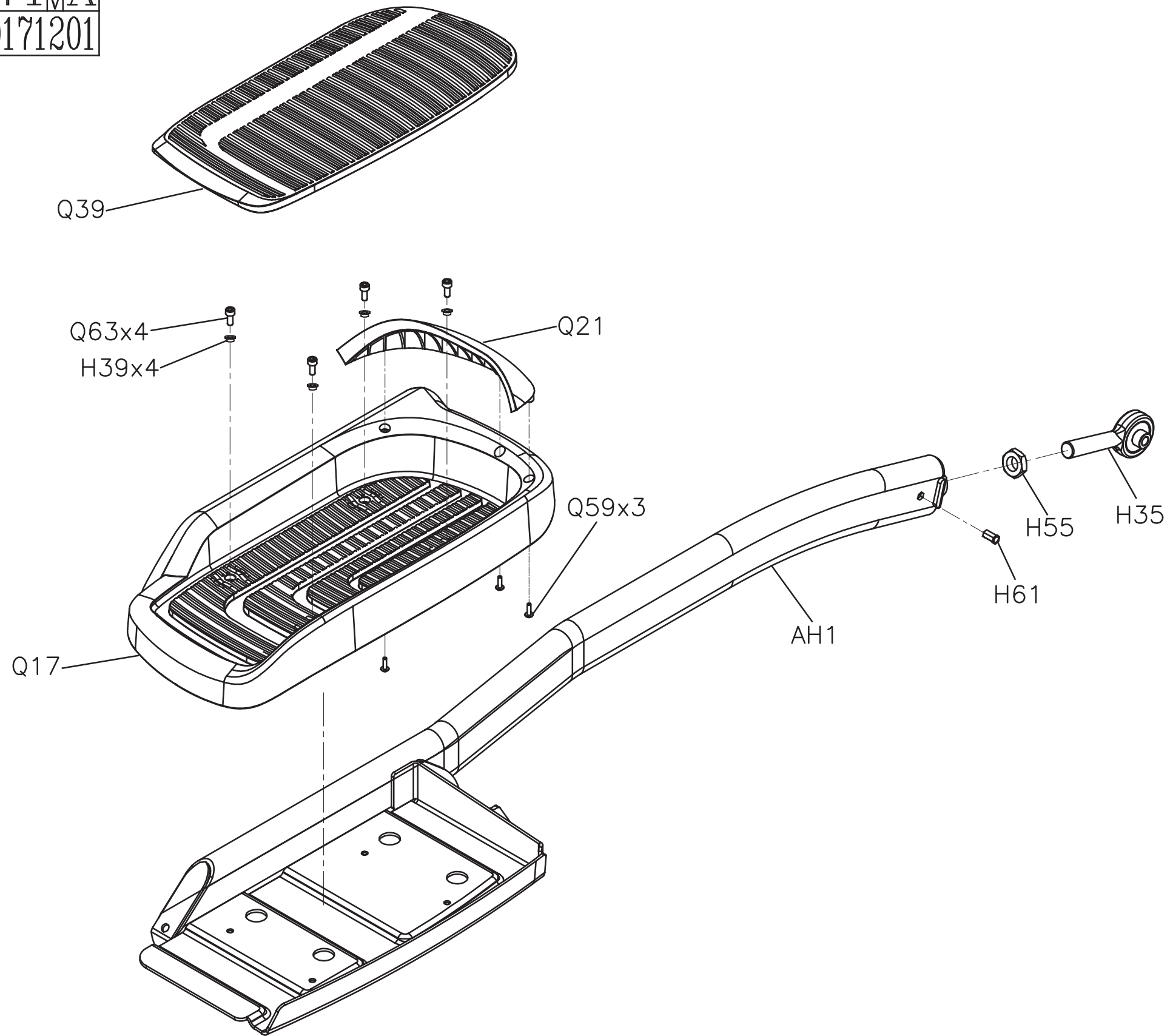
DRAWING NO	EP304M-AH25		
PART NAME	Swing Arm Set		
PART NO	1000417448 ^R ₁ ^E ₁ ^A		
APPROVE	AMELIE	DATE	20171201



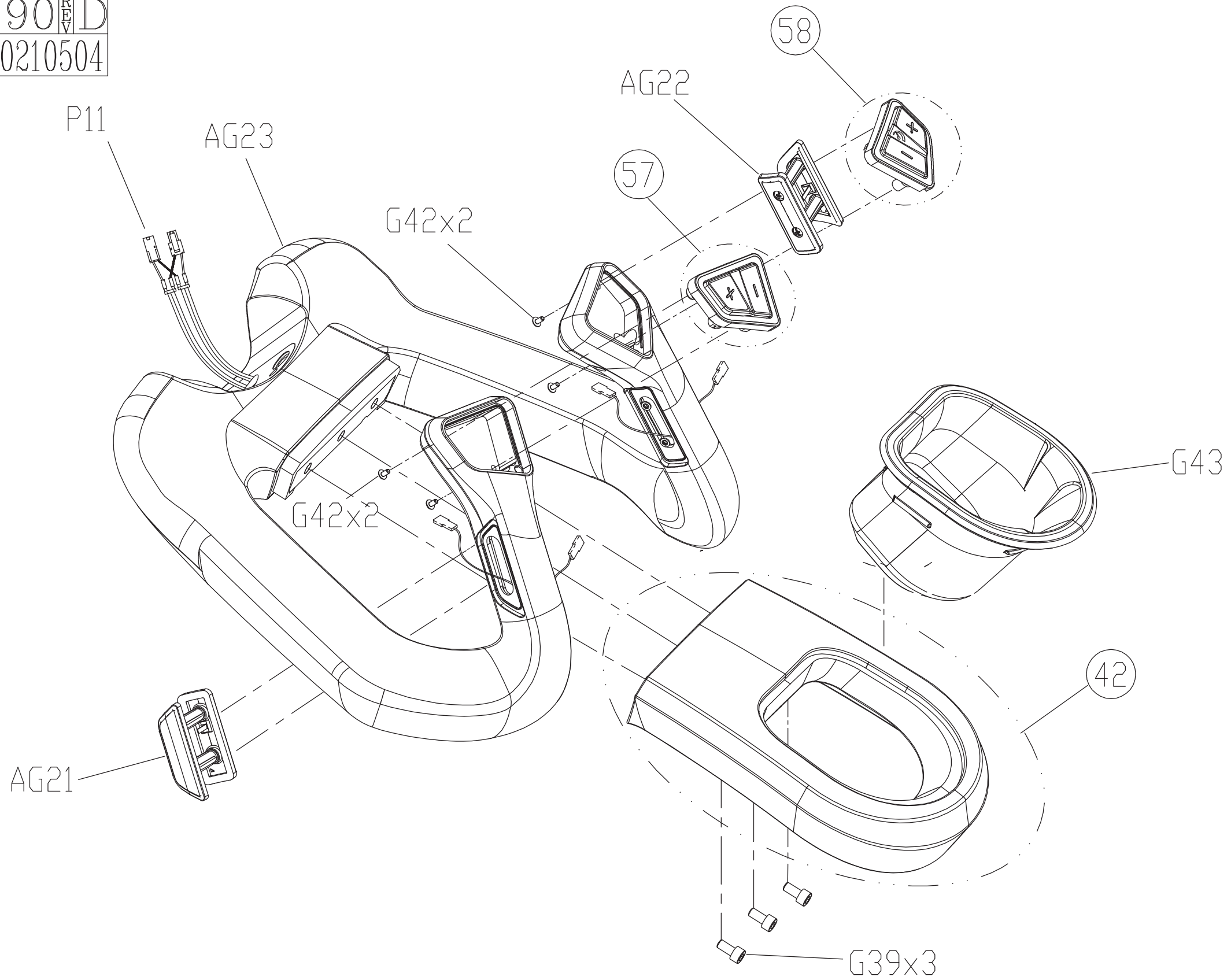
DRAWING NO	EP308L-AH21		
PART NAME	Link Arm;Right		
PART NO	1000417470	REV	A
APPROVE	AMELIE	DATE	20171201



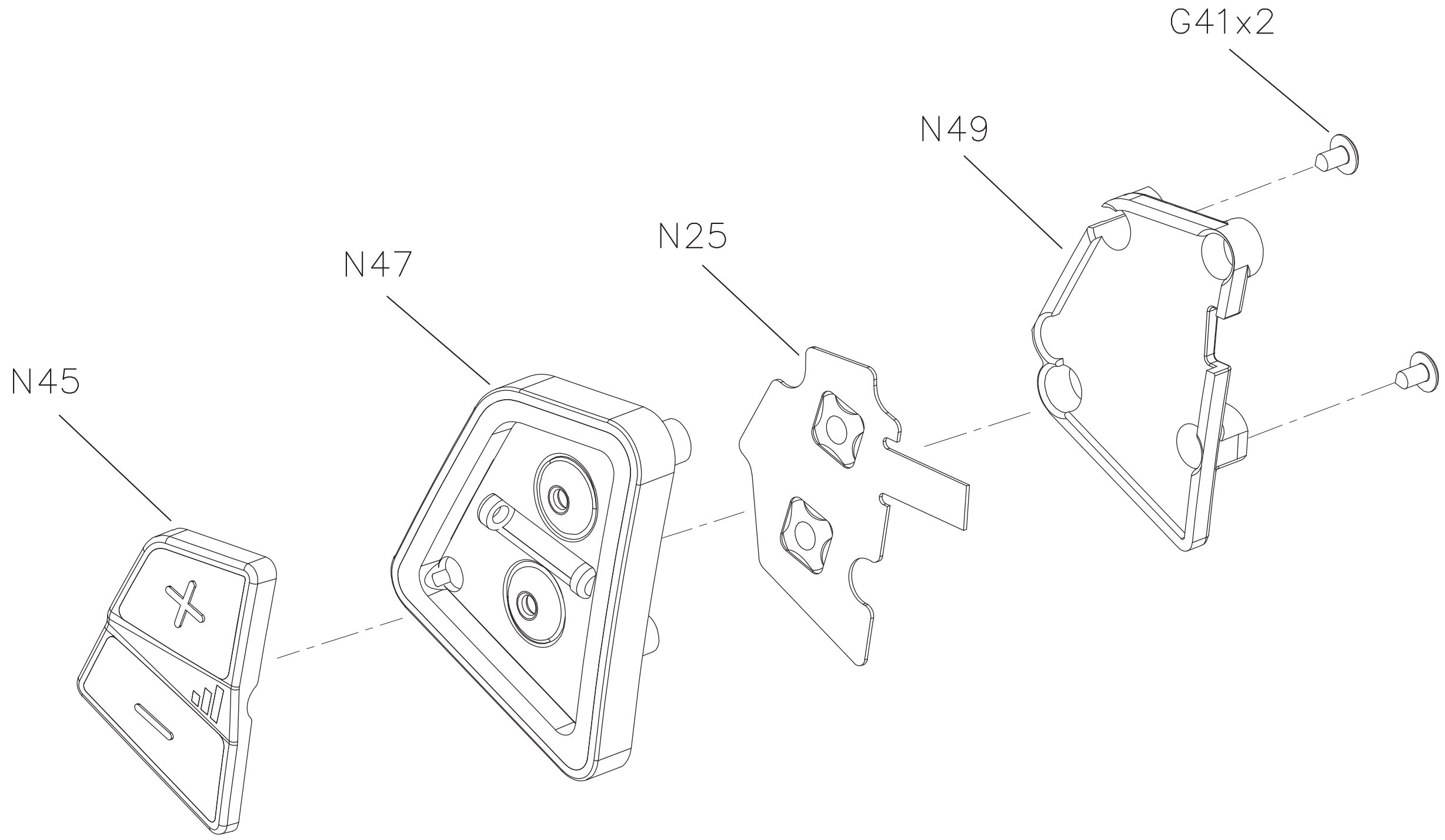
DRAWING NO	EP308L-AH22		
PART NAME	Link Arm;Left		
PART NO	1000417471 <small>REV</small> A		
APPROVE	AMELIE	DATE	20171201



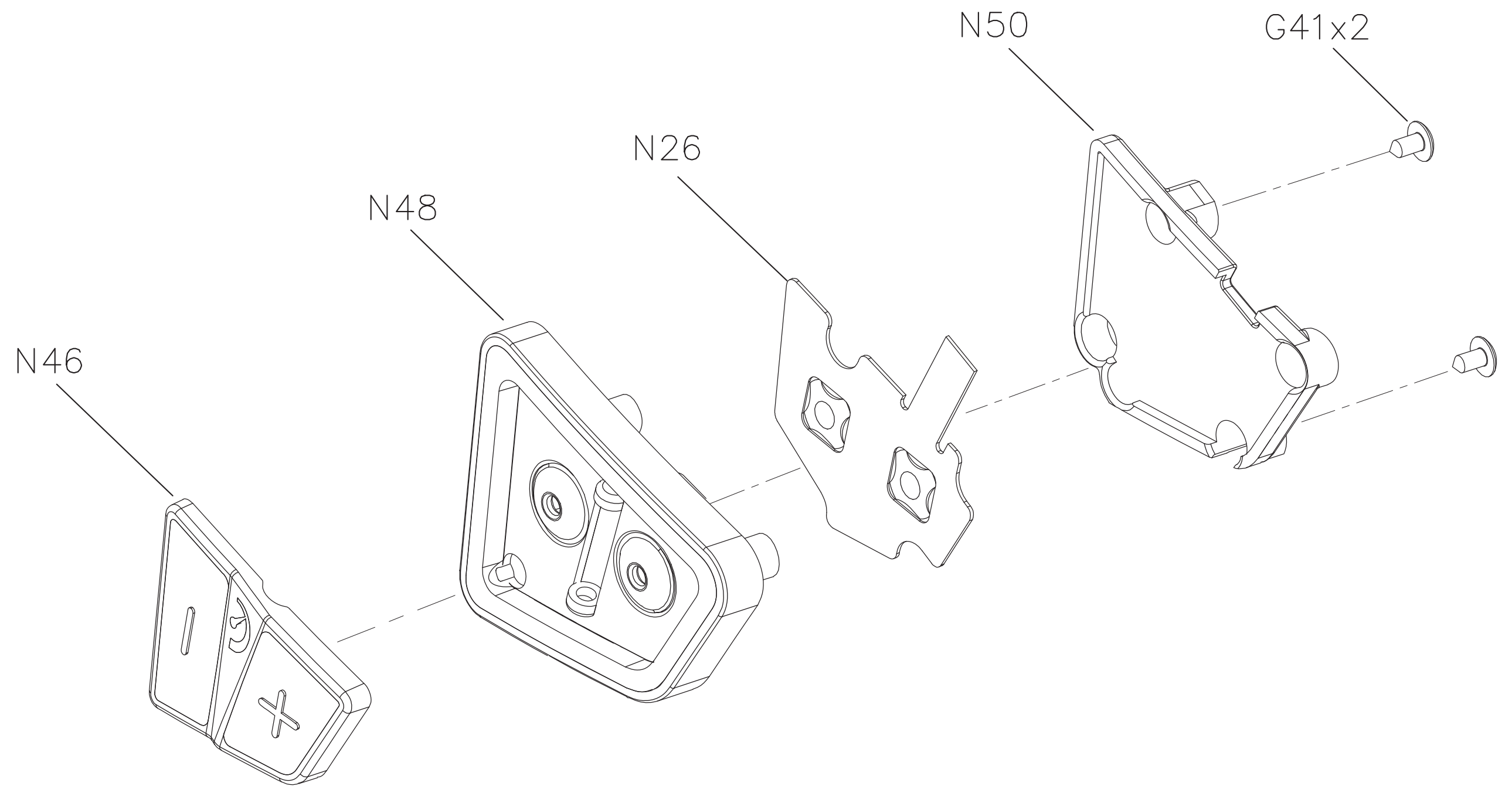
DRAWING NO	EP630-AG13		
PART NAME	Arm Rest set;front		
PART NO	1000433290 <small>REV D</small>		
APPROVE	SAM	DATE	20210504



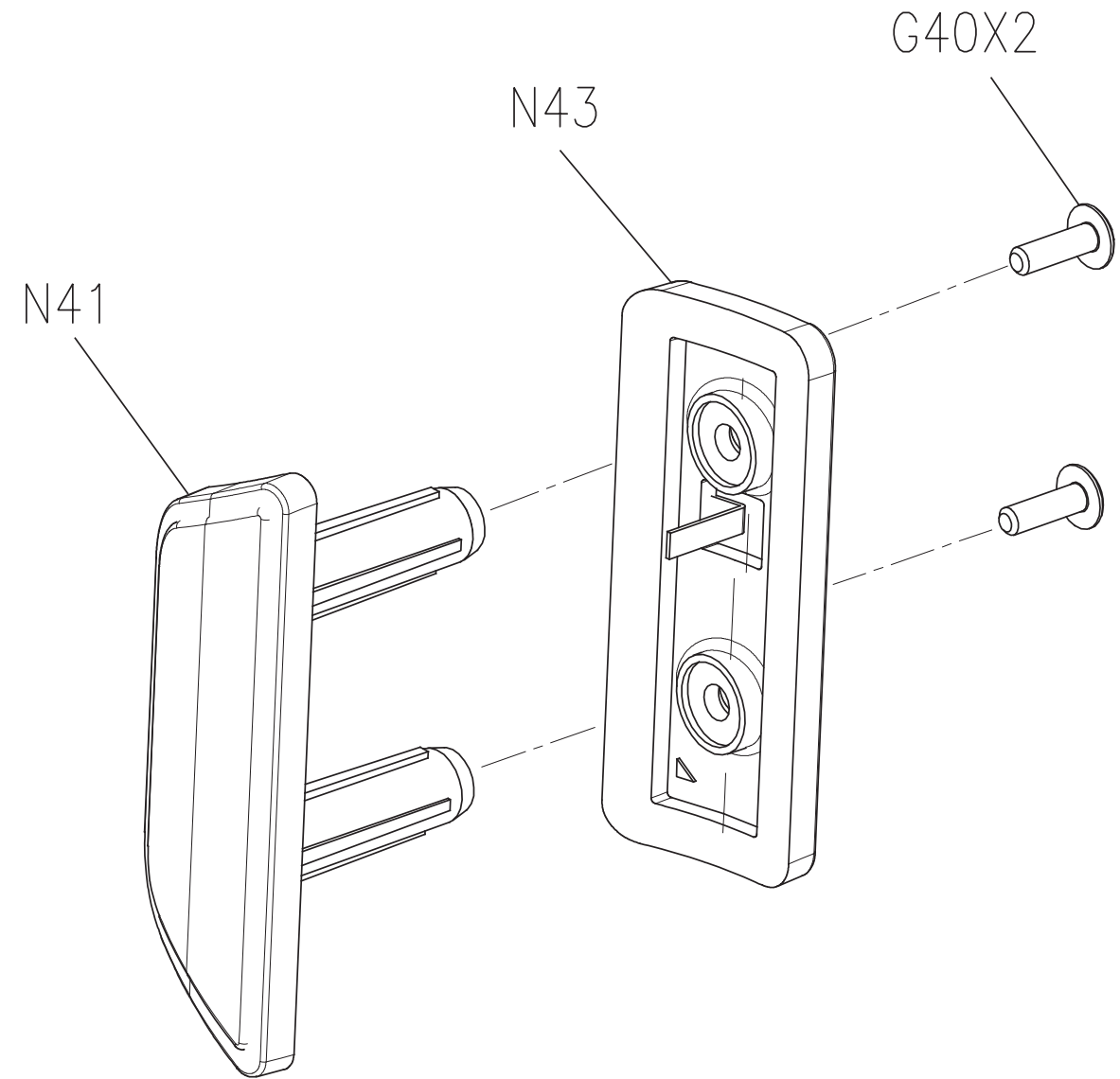
DRAWING NO	EP630-AG7		
PART NAME	Hand Pulse Set;Quickly Key;left		
PART NO	1000433324REV C		
APPROVE	Rainstop	DATE	230214



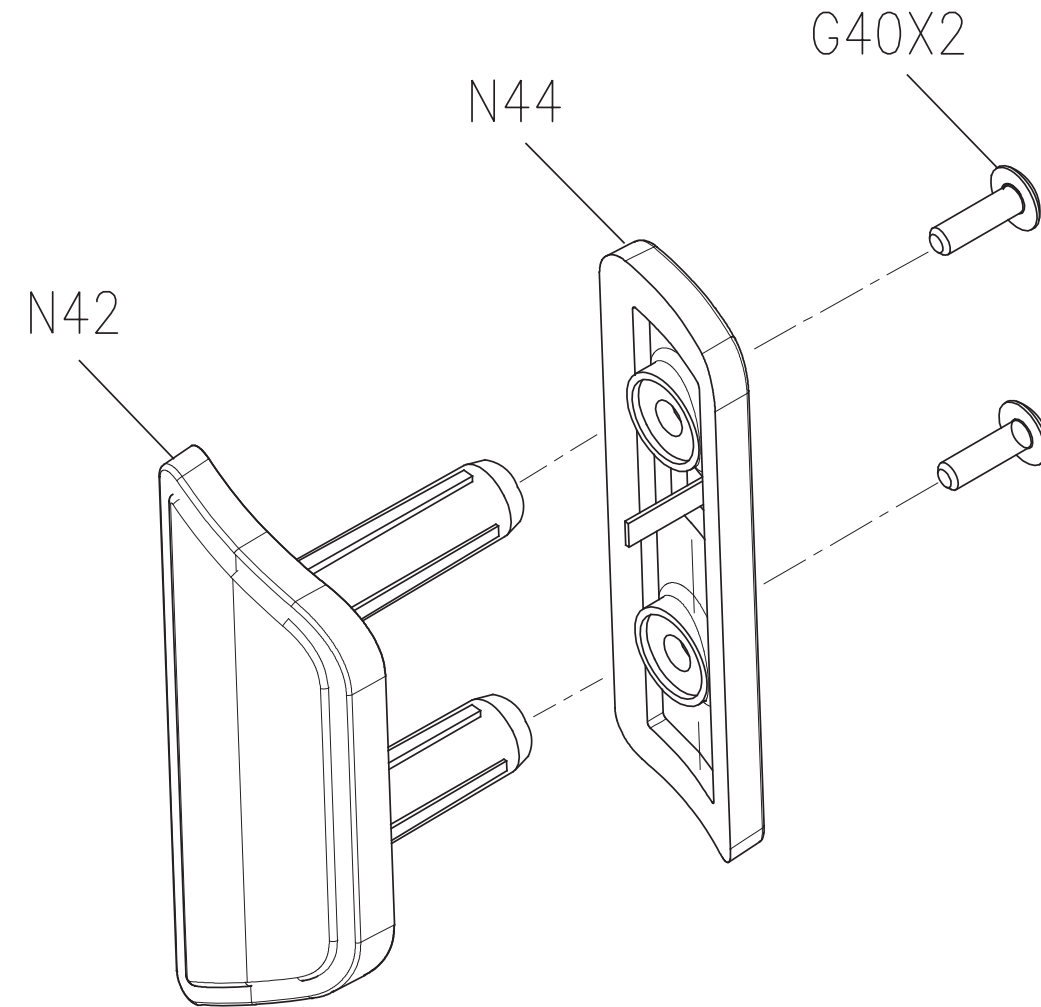
DRAWING NO	EP630-AG8		
PART NAME	Hand Pulse Set;Quickly Key:right		
PART NO	1000433325	REV	C
APPROVE	Rainstop	DATE	230214



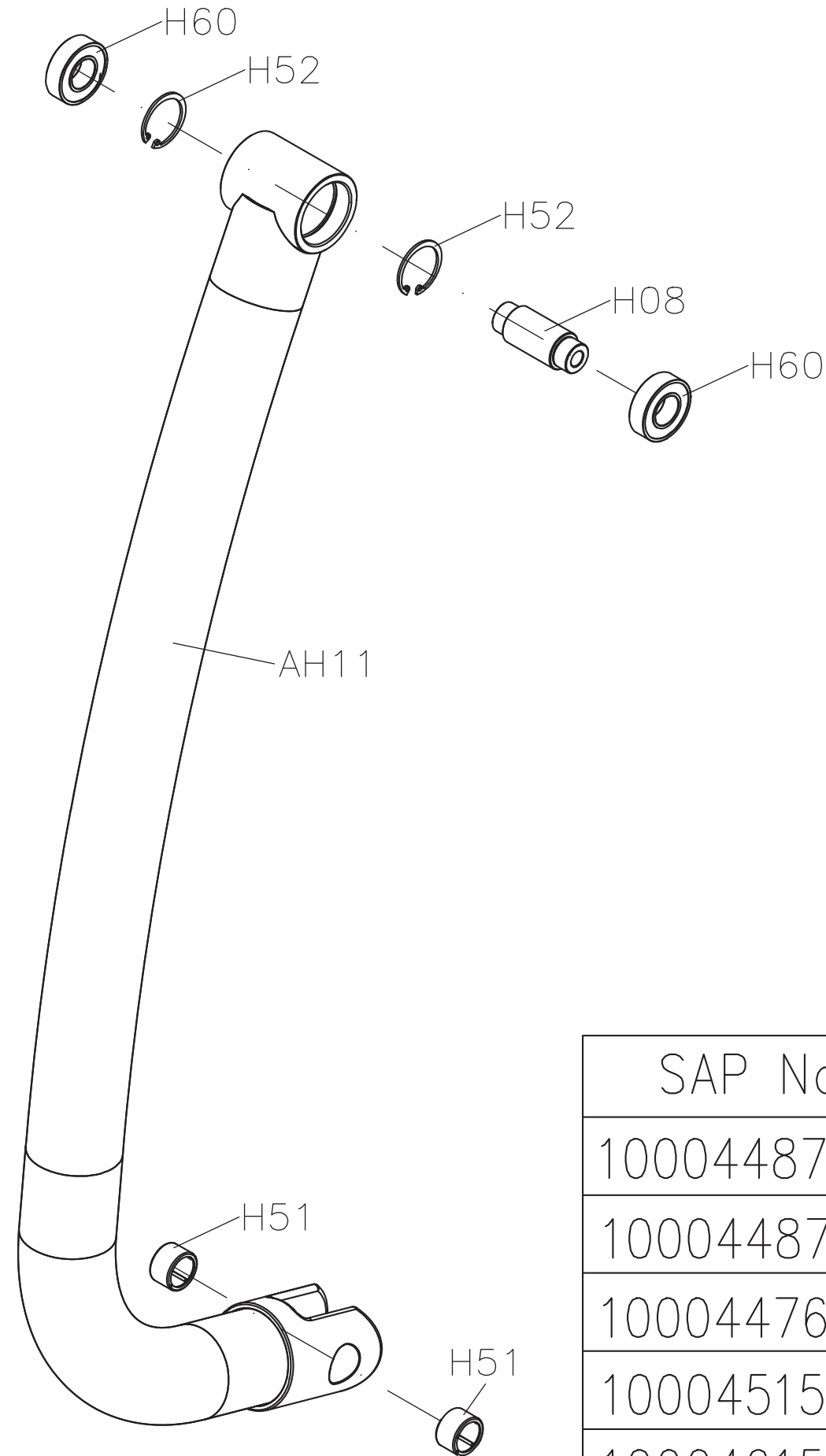
DRAWING NO	EP630-AG21		
PART NAME	Pulse Sensor Set;Grip;left		
PART NO	1000433330 <small>REV</small> B		
APPROVE	David	DATE	190508



DRAWING NO	EP630-AG22		
PART NAME	Pulse Sensor Set;Grip;right		
PART NO	1000433331REV B		
APPROVE	David	DATE	190508

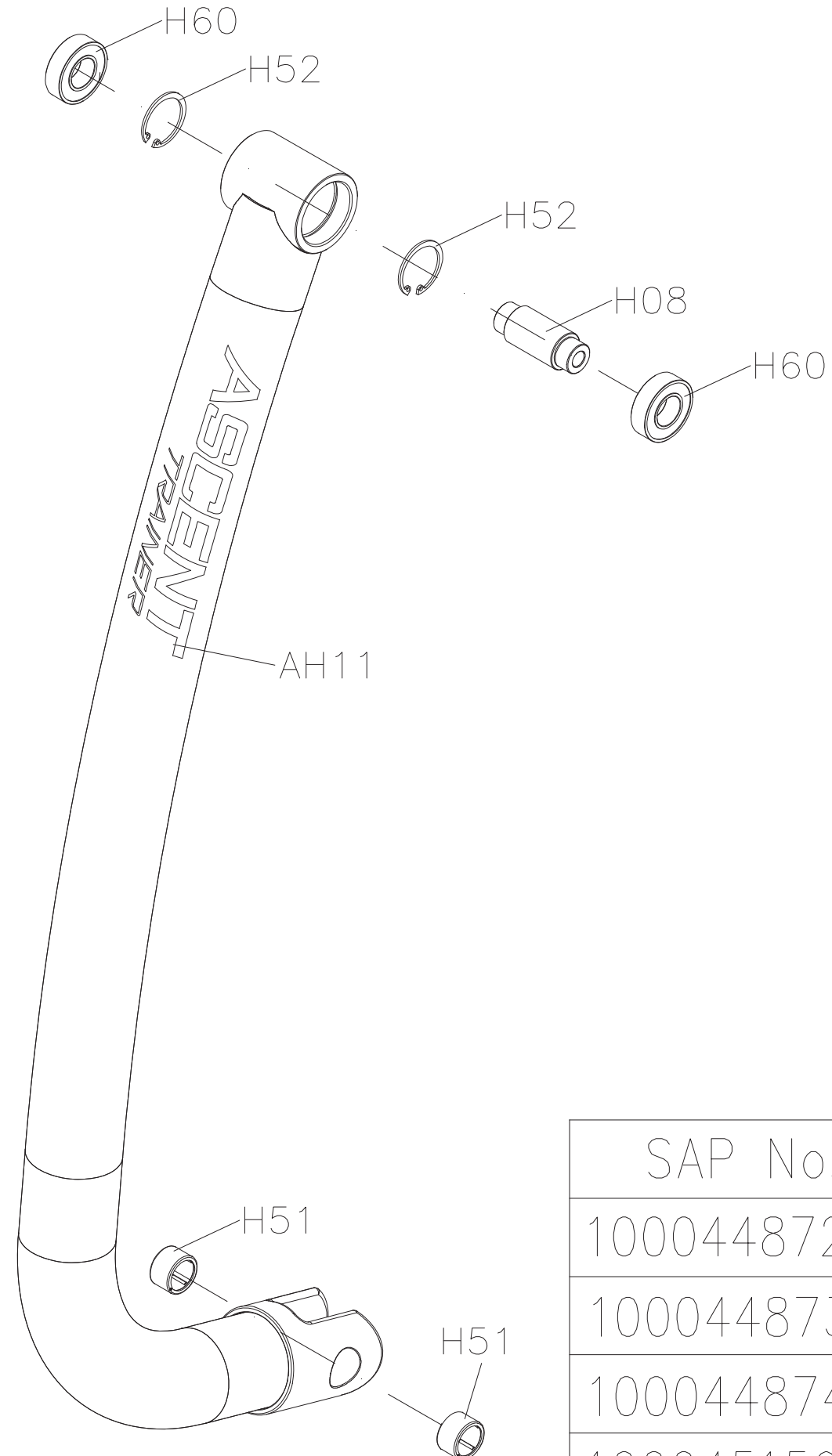


DRAWING NO	EP629-AH26		
PART NAME	ADJUSTMENT ARM SET		
PART NO	See attached chart ^R / _V D		
APPROVE	Blazer	DATE	20201230



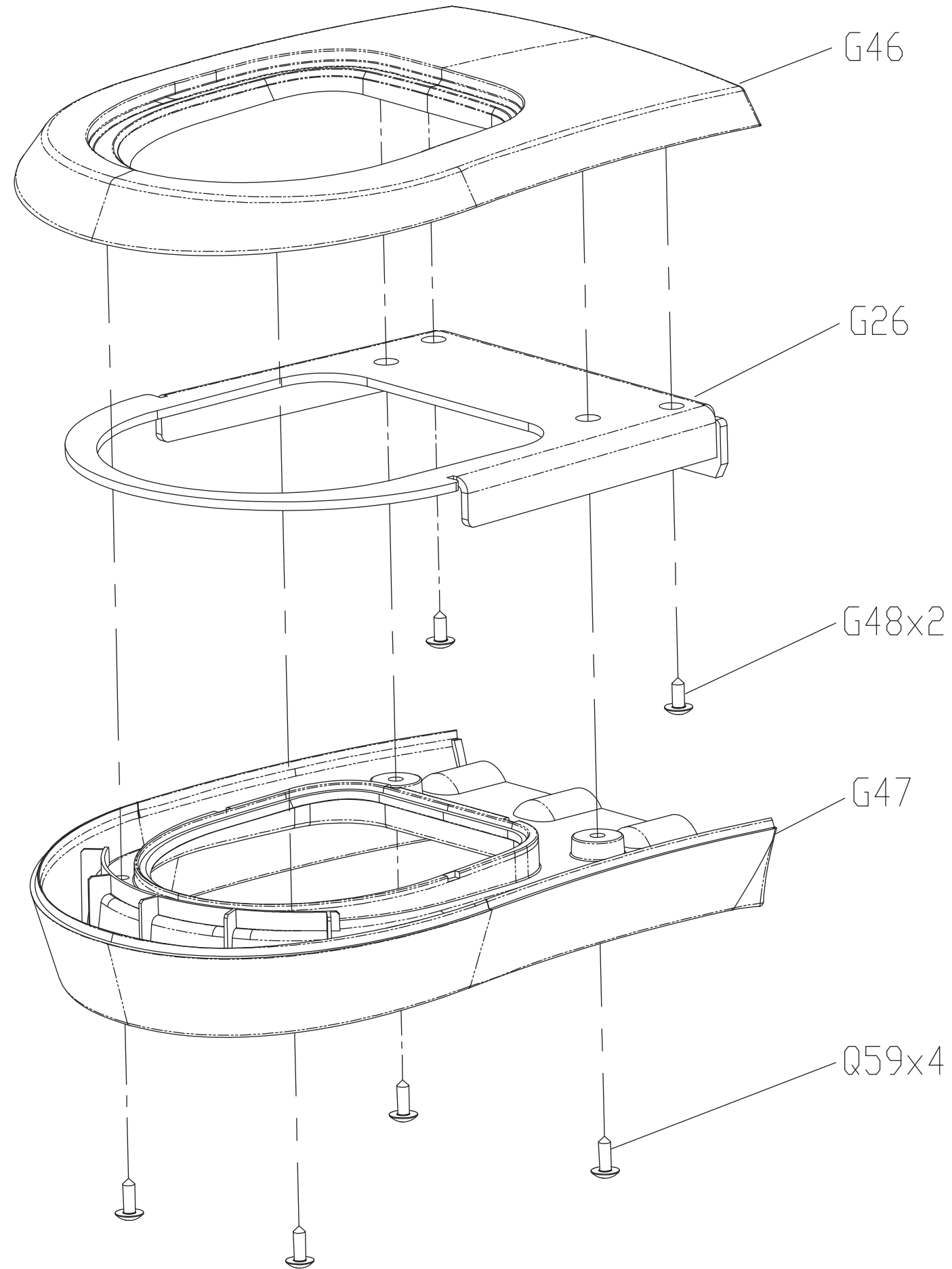
SAP No.	Description
1000448717	SILVER
1000448720	DOUBLE BLACK MATTE
1000447622	DOUBLE GRAPHITE GREY 202020
1000451588	Lace White
1000461538	Sun Orange


DRAWING NO	EP630-AH29		
PART NAME	ADJUSTMENT ARM SET		
PART NO	See attached chart REC		
APPROVE	Amelie	DATE	20200701



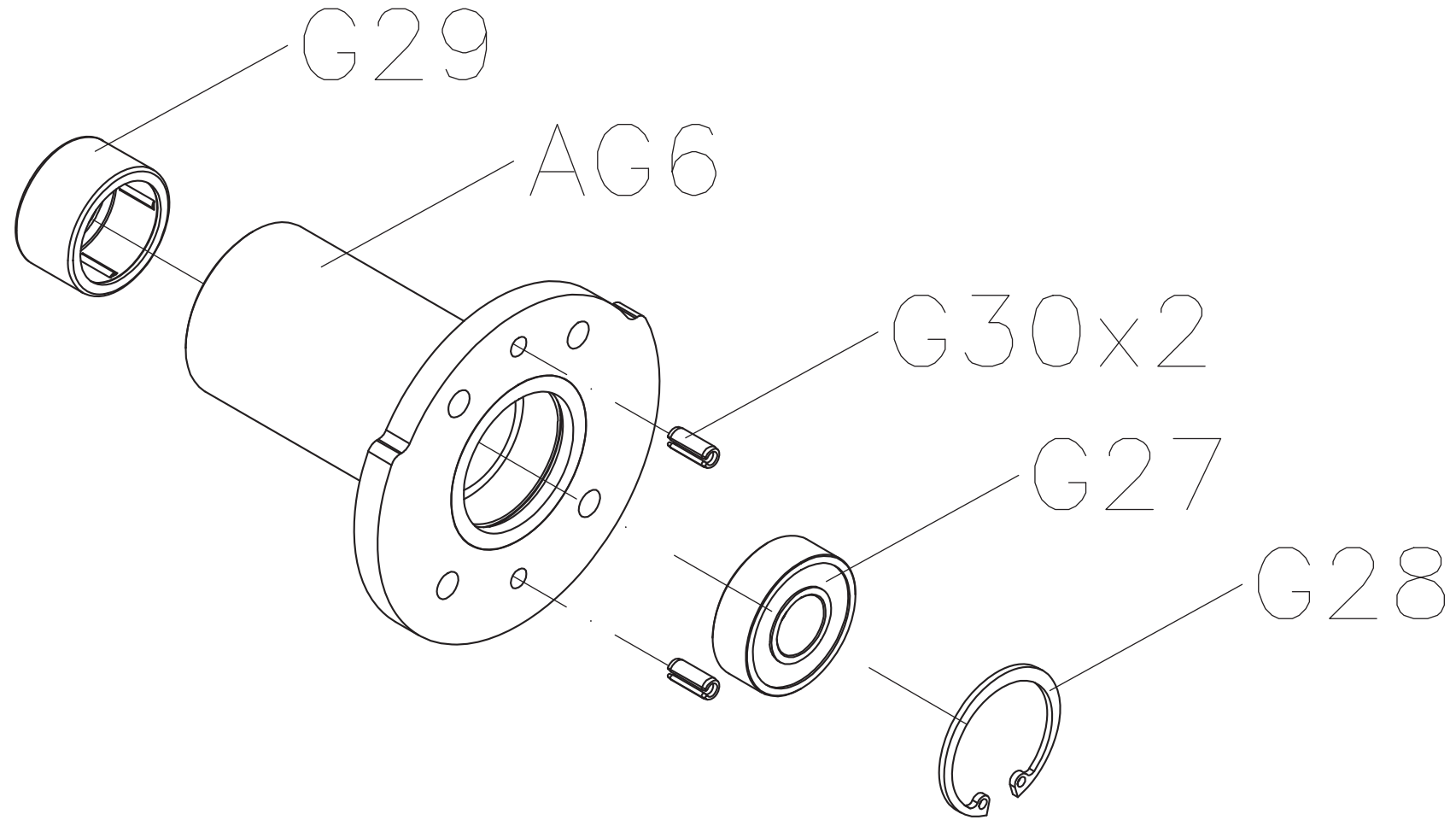
SAP No.	Description
1000448727	SILVER
1000448735	DOUBLE BLACK MATTE
1000448740	DOUBLE GRAPHITE GREY 202020
1000451595	Lace White

DRAWING NO	EP629-AG15		
PART NAME	Cup Holder Set		
PART NO	1000466065	REV	C
APPROVE	RICK	DATE	20220812



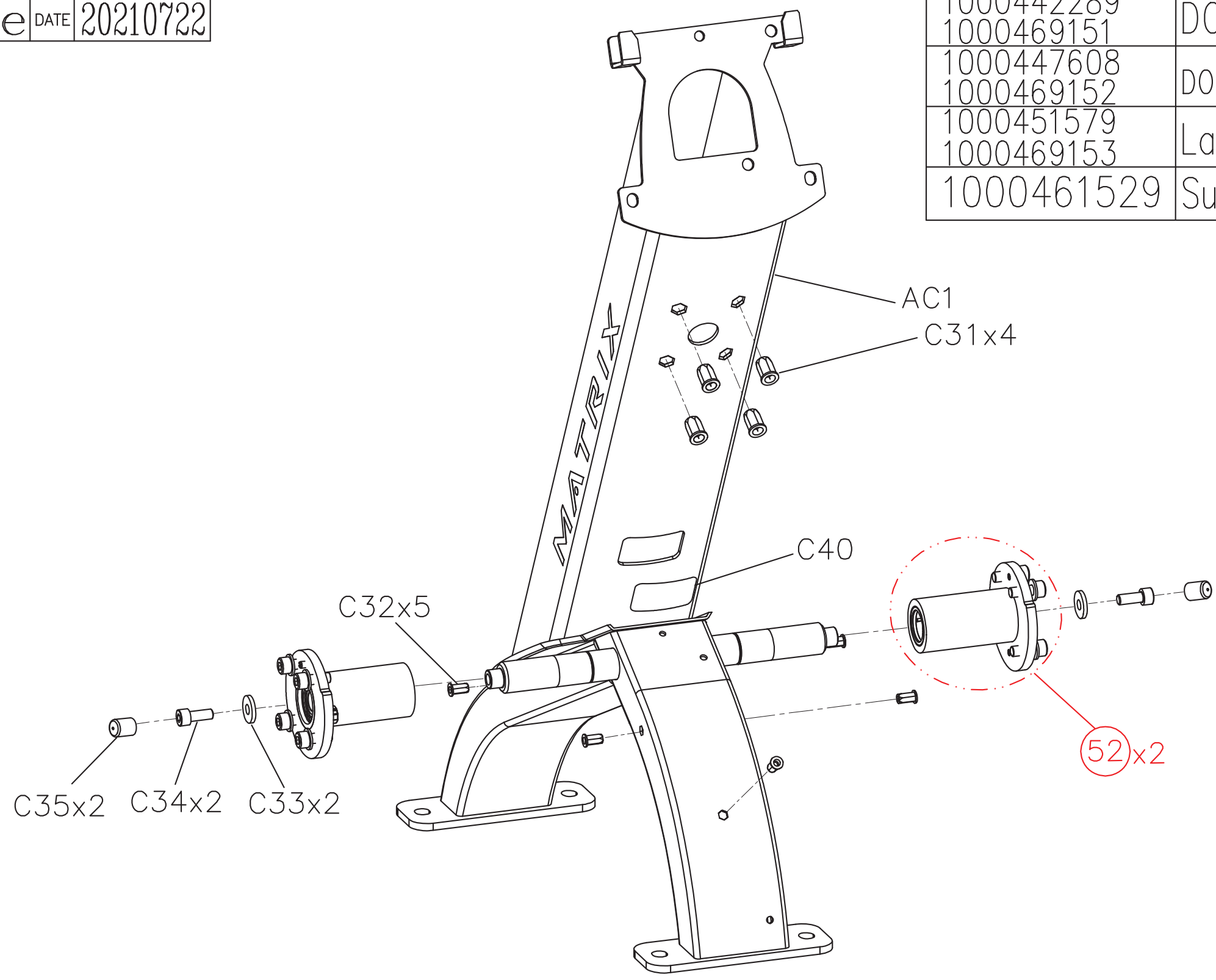
DRAWING NO	EP304-AG15		
PART NAME	ROTATION HOUSING ASSEMBLY SET		
PART NO	See attached chart  D		
APPROVE	Addie	DATE	20210722

SAP No.	Description
0000094951	BAN
1000469139	Paint

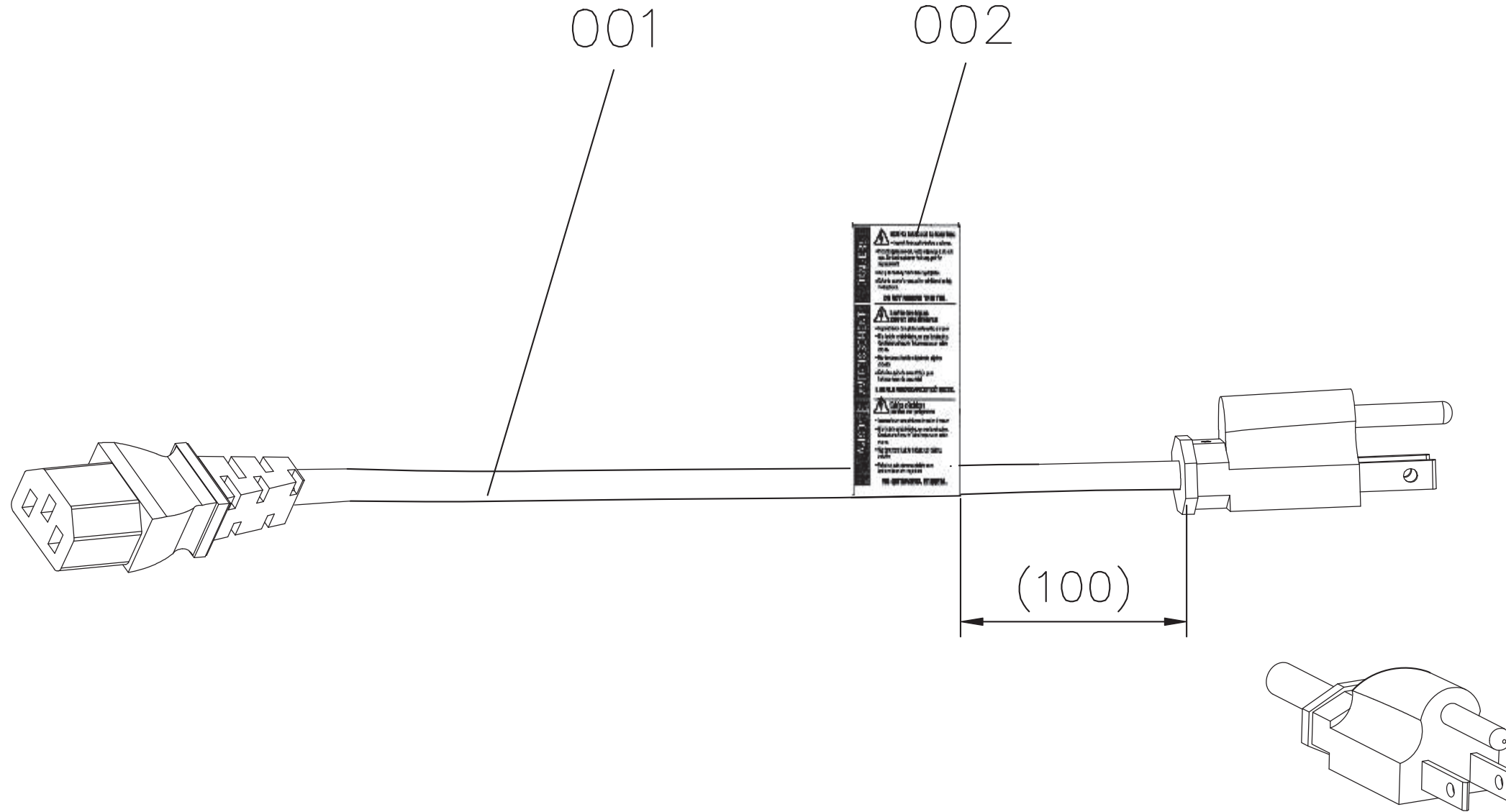


DRAWING NO	EP629-AC11		
PART NAME	CONSOLE MAST SET		
PART NO	See attached chart REG		
APPROVE	Addie	DATE	20210722

SAP No.	Description
1000433240	SLIVER
1000469150	
1000442289	DOUBLE BLACK MATTE
1000469151	
1000447608	DOUBLE Graphite Grey 202020
1000469152	
1000451579	Lace White
1000469153	
1000461529	Sun Orange

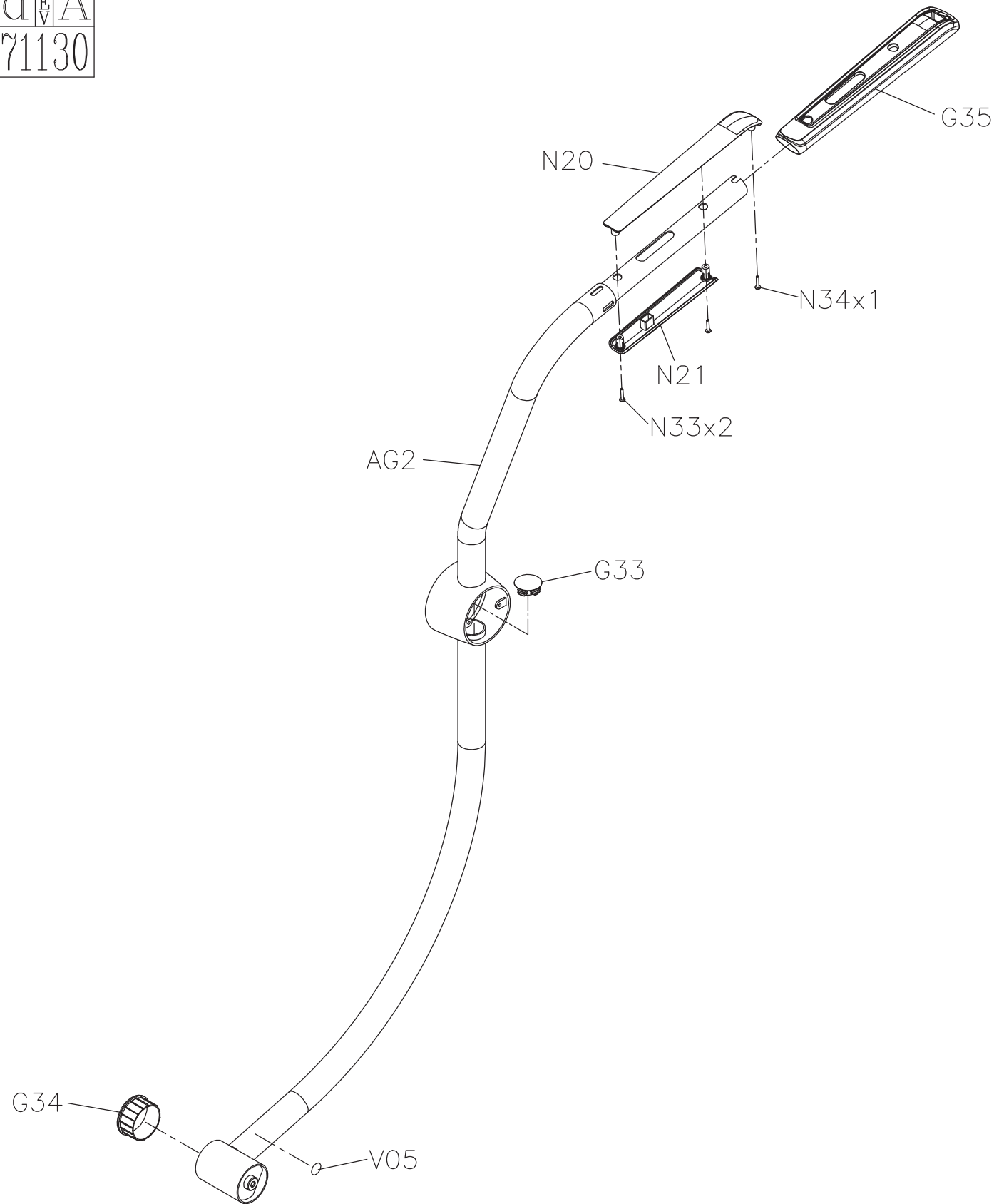


DRAWING NO	CORD-P216		
PART NAME	POWERCORD SET		
PART NO	10000473321	REV	B
APPROVE	Sunny	DATE	112322



DRAWING NO	EP304M-AG11		
PART NAME	Arm Rest set;Right		
PART NO	As attached		
APPROVE	AMELIE	DATE	20171130

Part No.
1000417433
1000473397



DRAWING NO	EP304M-AG12		
PART NAME	Arm Rest set;Left		
PART NO	As attached ^R / _E A		
APPROVE	AMELIE	DATE	20171130

Part No.
1000417435
1000473402

