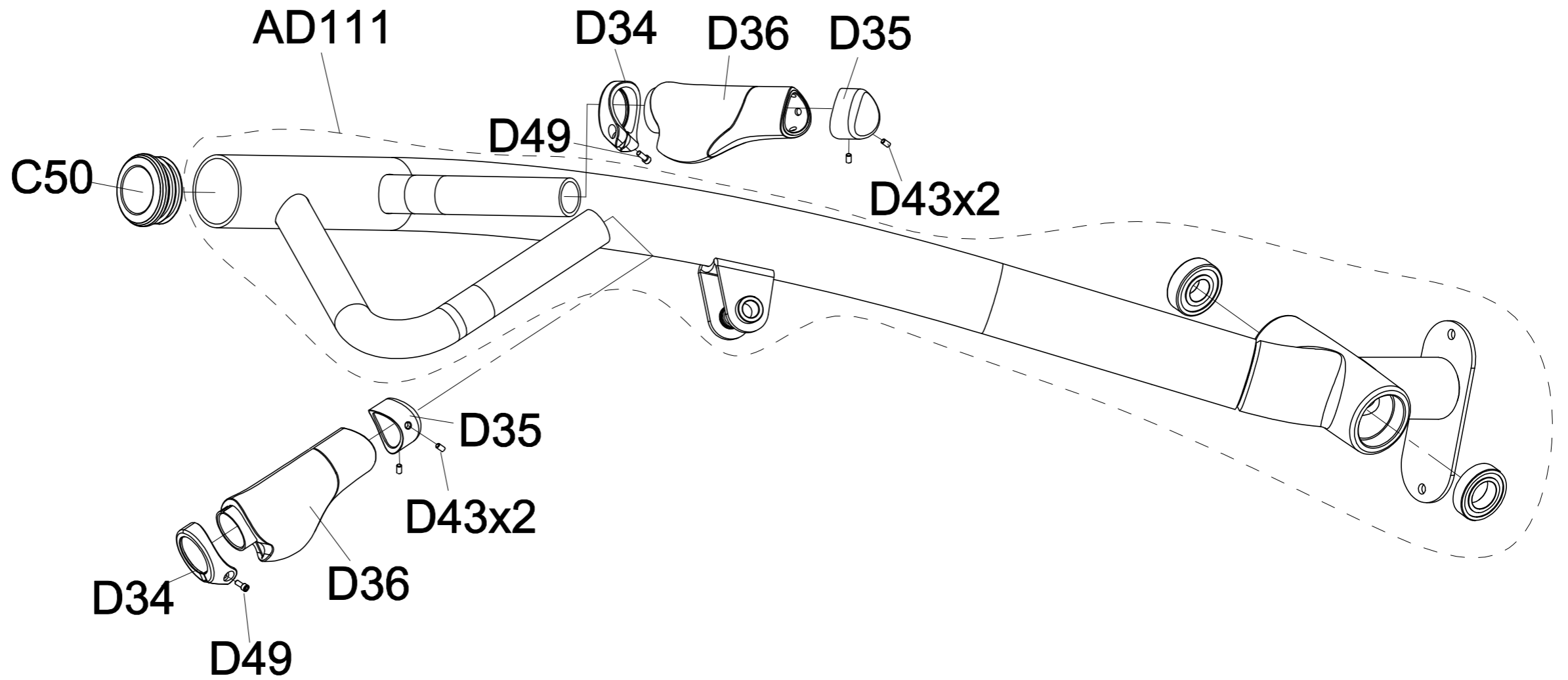




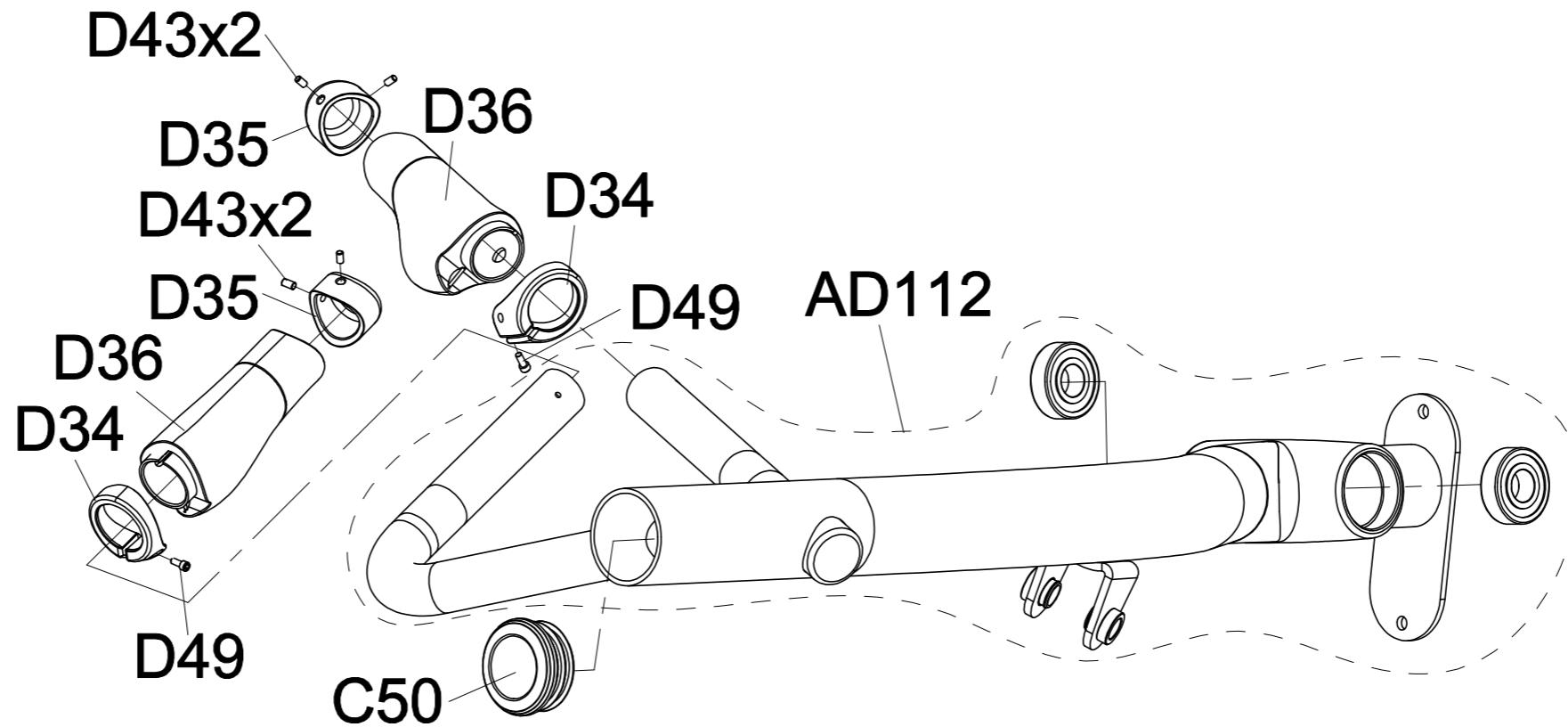
|            |                                  |      |            |
|------------|----------------------------------|------|------------|
| DRAWING NO | GM117F-SF01                      |      |            |
| PART NAME  | Pedal Arm set;right ; Assembling |      |            |
| PART NO    | See Chart                        | REV  | A          |
| APPROVE    | DU ZUOHAO                        | DATE | 2024.03.22 |

| Part NO.   | Color              |
|------------|--------------------|
| 1000507981 | Iced Sliver        |
| 1000507985 | Platinum           |
| 1000507987 | Polarized Titanium |
| 1000507990 | Lace White         |
| 1000507682 | Graphite gray      |
| 1000507993 | Mat Black          |
| 1000507994 | Black Glossy       |
| 1000516939 | O-PF Purple        |

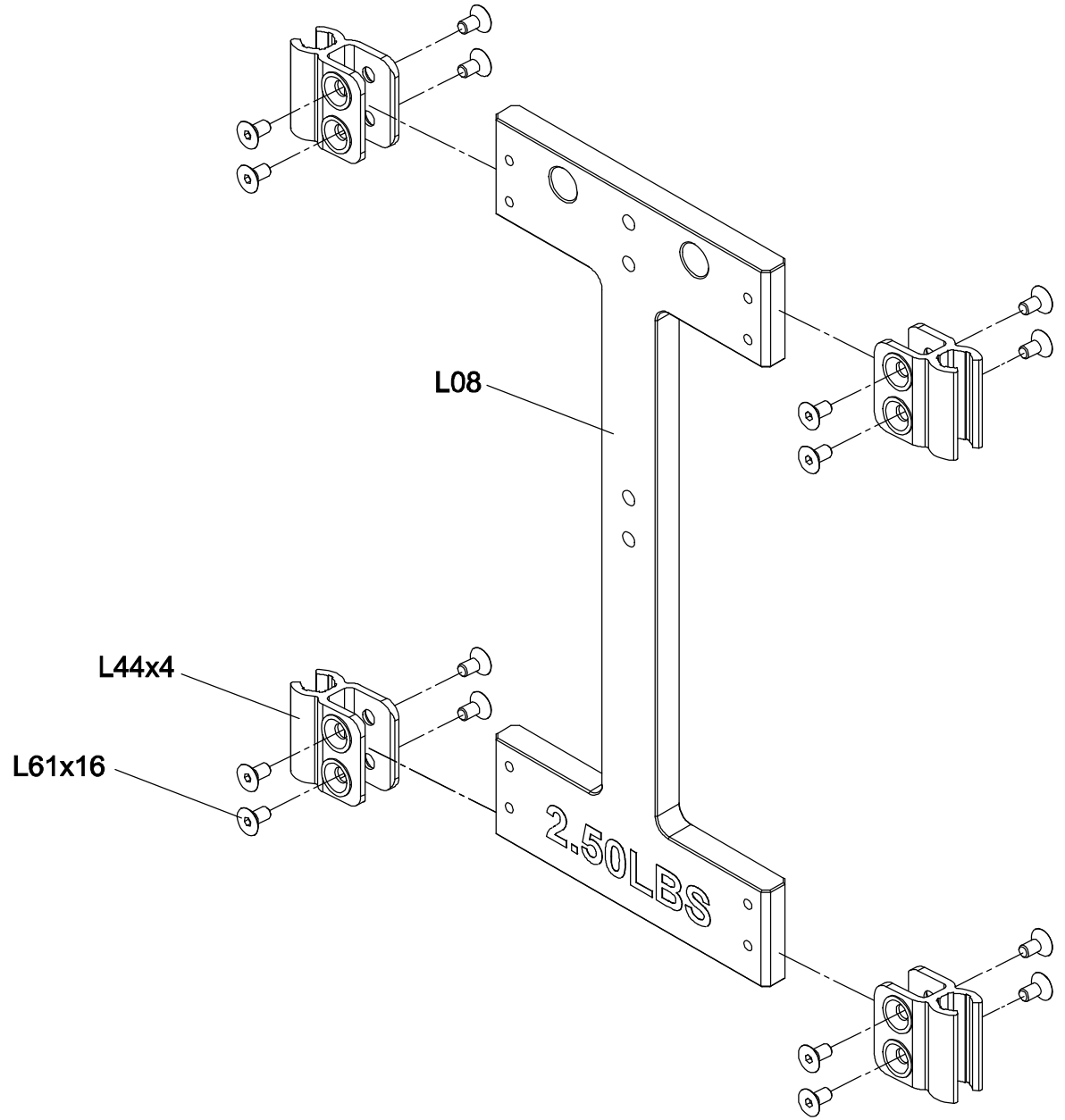


|            |                                   |      |            |
|------------|-----------------------------------|------|------------|
| DRAWING NO | GM117F-SF02                       |      |            |
| PART NAME  | Pedal Arm set ; Left ; Assembling |      |            |
| PART NO    | See Chart                         | REV  | A          |
| APPROVE    | DU ZUOHAO                         | DATE | 2024.03.22 |

| Part NO.   | Color              |
|------------|--------------------|
| 1000507995 | Iced Sliver        |
| 1000507996 | Platinum           |
| 1000507997 | Polarized Titanium |
| 1000507998 | Lace White         |
| 1000507684 | Graphite gray      |
| 1000507999 | Mat Black          |
| 1000508000 | Black Glossy       |
| 1000516941 | O-PF Purple        |



|            |                              |      |            |
|------------|------------------------------|------|------------|
| DRAWING NO | GM121F-AL2                   |      |            |
| PART NAME  | Incremental Weight Plate Set |      |            |
| PART NO    | 1000504336                   | REV  | A          |
| APPROVE    | Xugang                       | DATE | 2024.01.23 |



|            |                              |      |            |
|------------|------------------------------|------|------------|
| DRAWING NO | GM121F-AL3                   |      |            |
| PART NAME  | Incremental Weight Plate Set |      |            |
| PART NO    | 1000504347                   | REV  | A          |
| APPROVE    | Xugang                       | DATE | 2024.01.23 |

