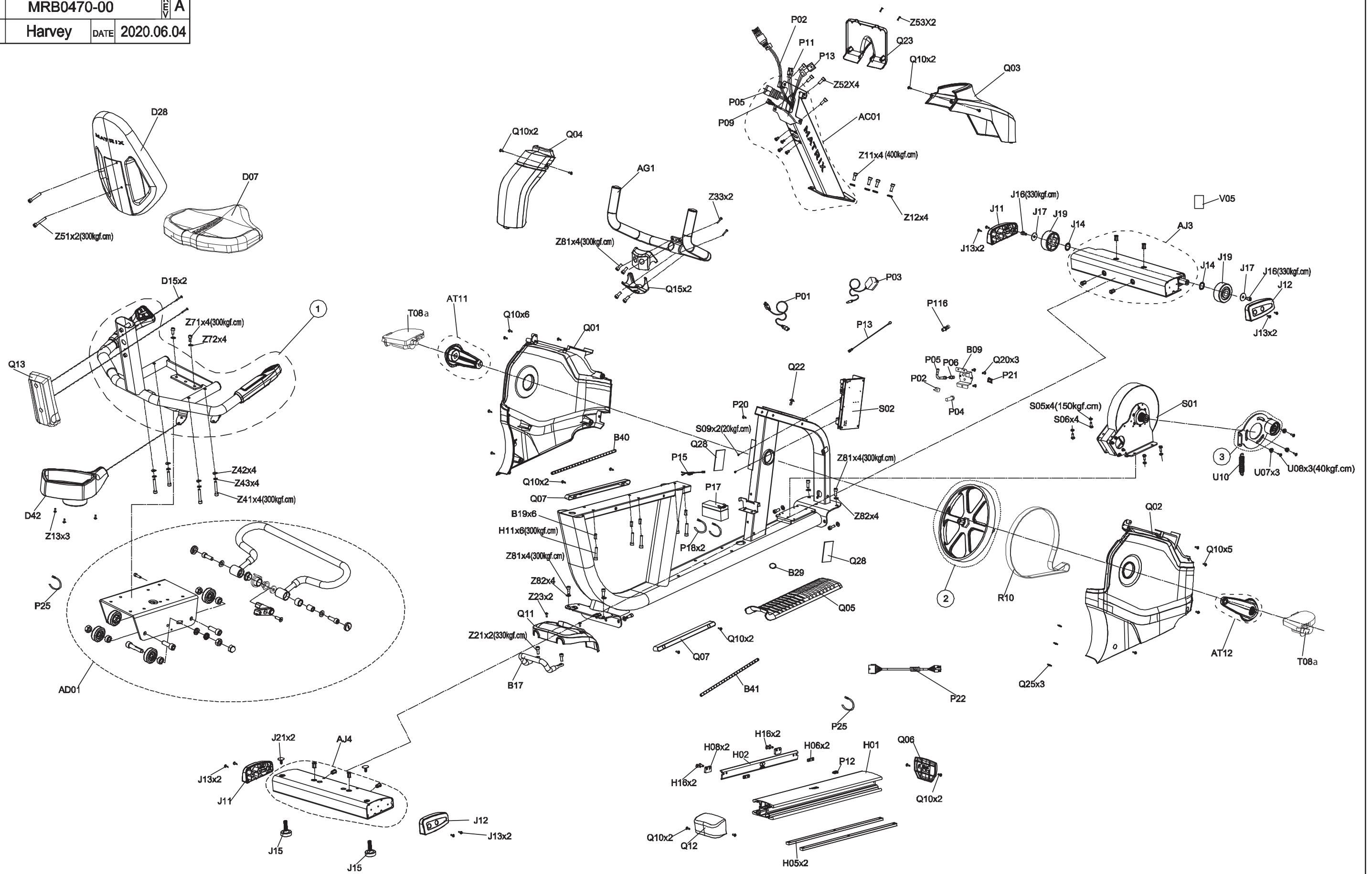
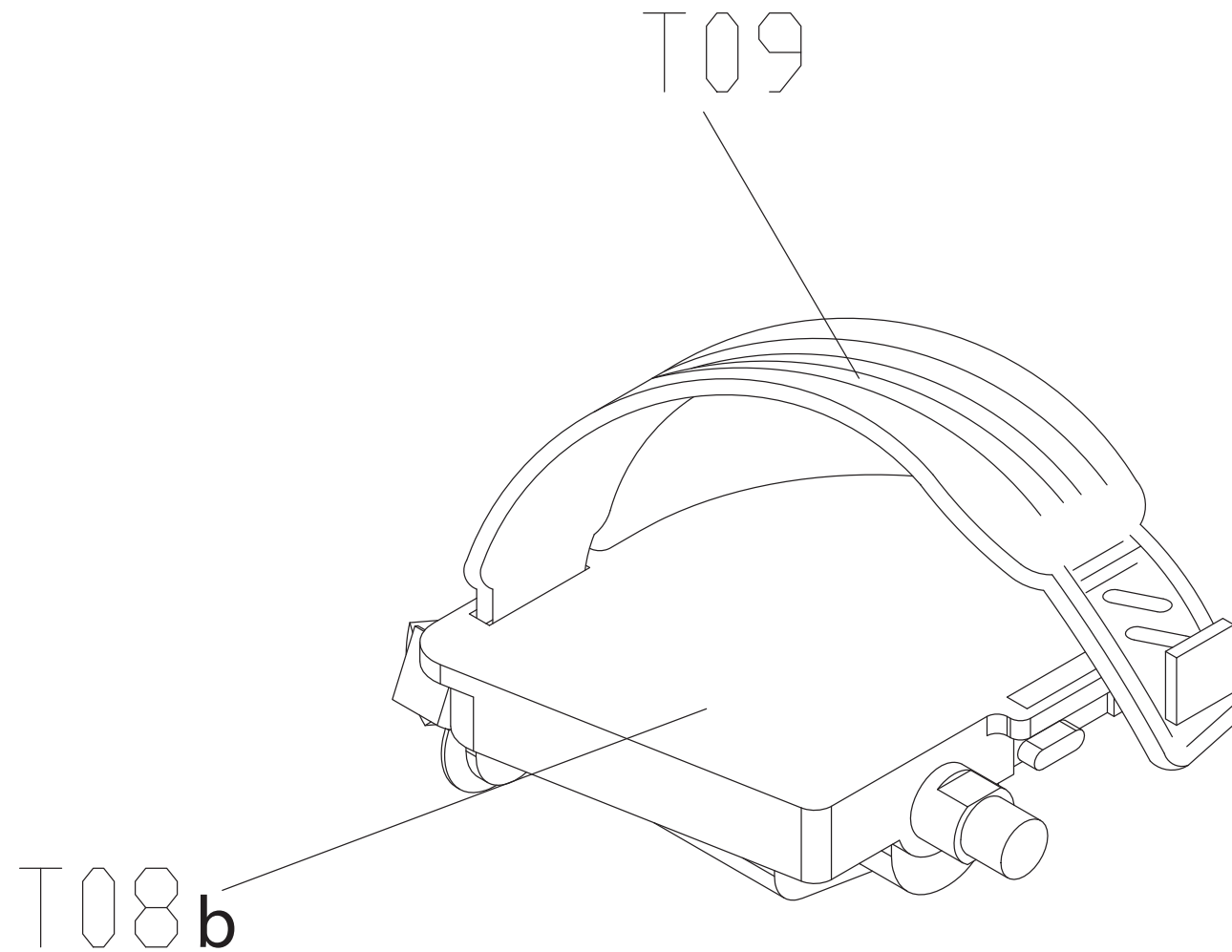


DRAWING NO	PRB209B-US/KM-F		
PART NAME	Explosive Drawing		
PART NO	MRB0470-00	REV	A
APPROVE	Harvey	DATE	2020.06.04

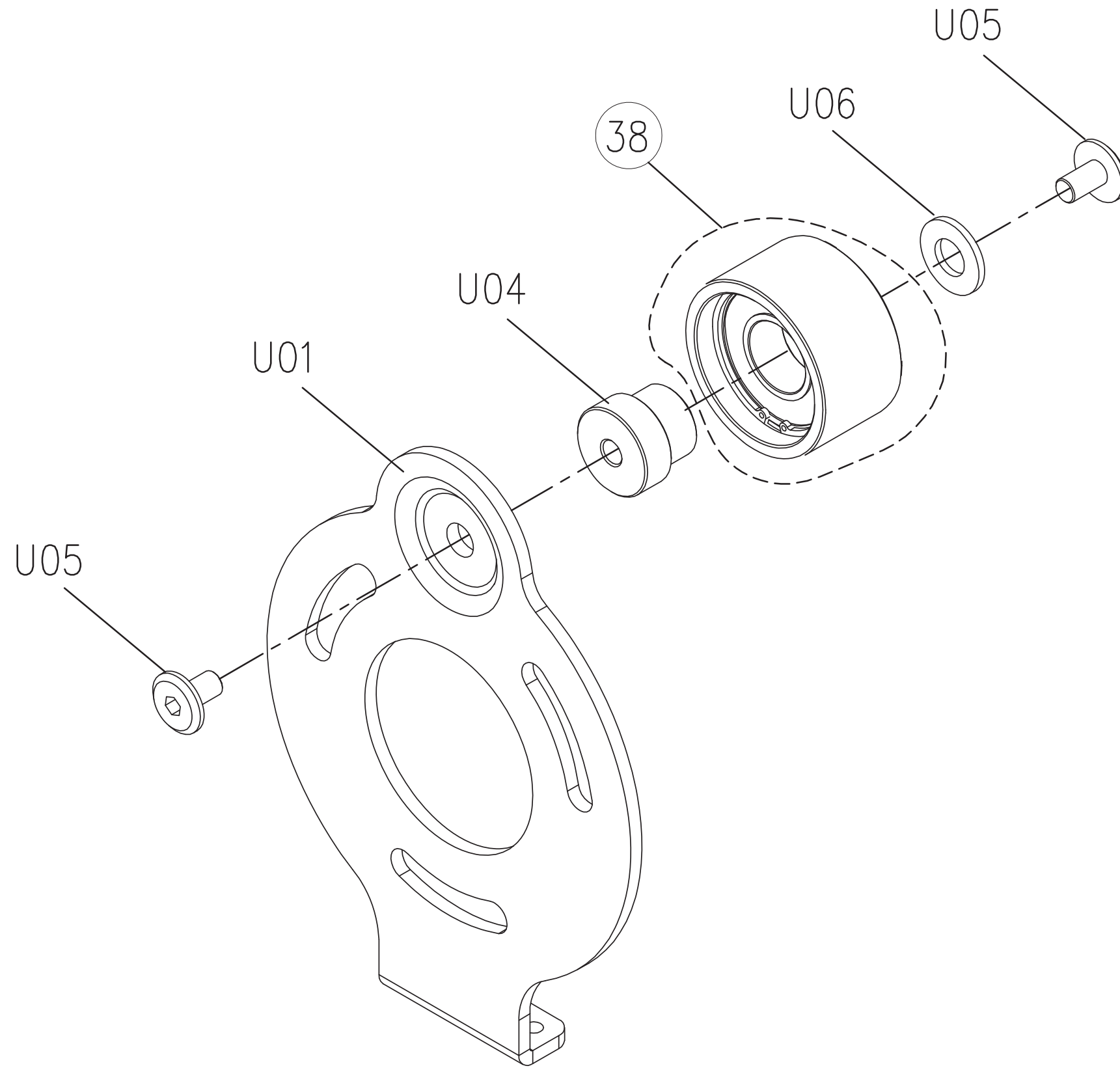


DRAWING NO	RB302-AT2		
PART NAME	PEDAL SET		
PART NO	0000090518	REV	A
APPROVE	JohnWU	DATE	20100819

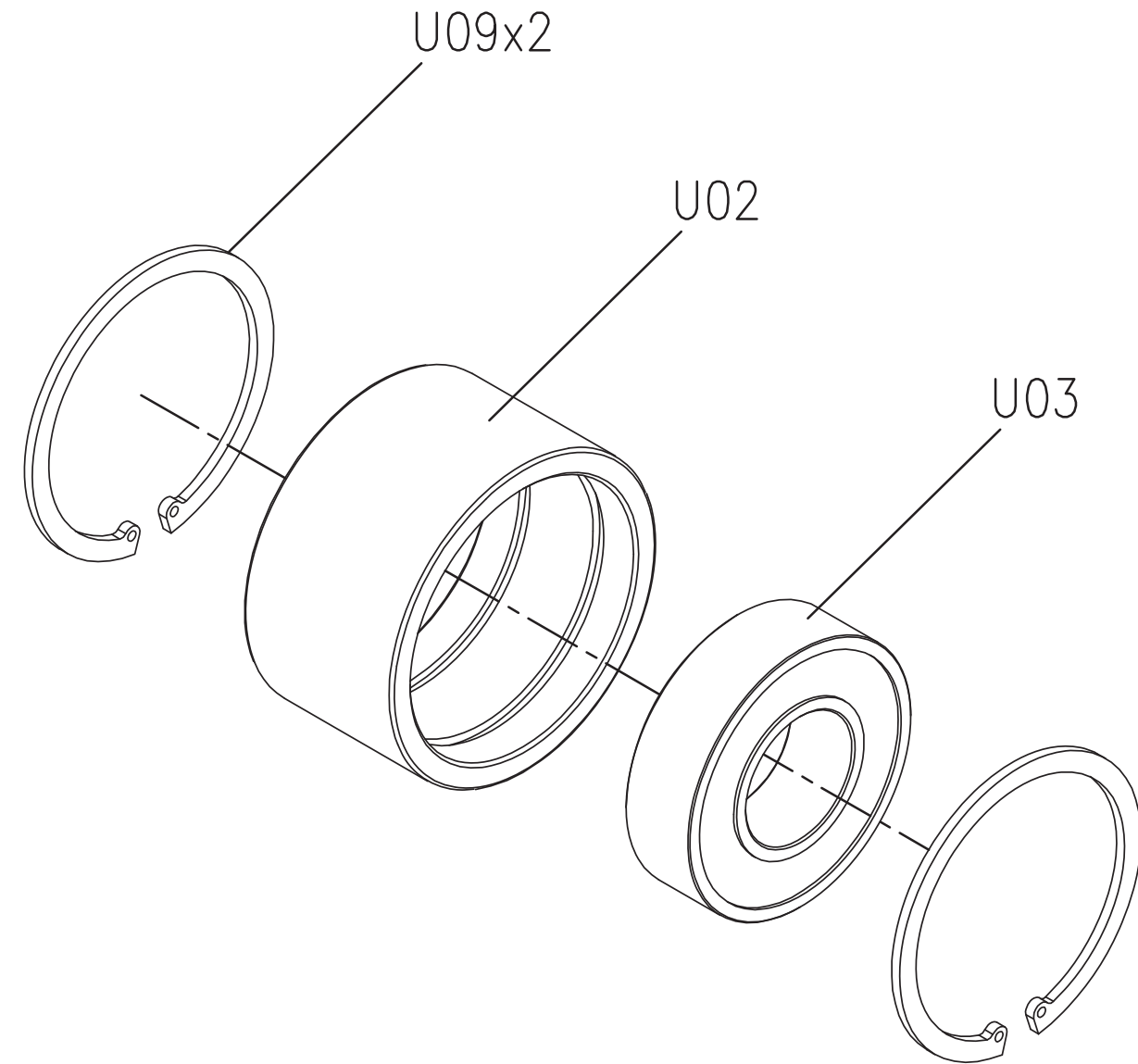
Note:One Set(Include Riget and Left)



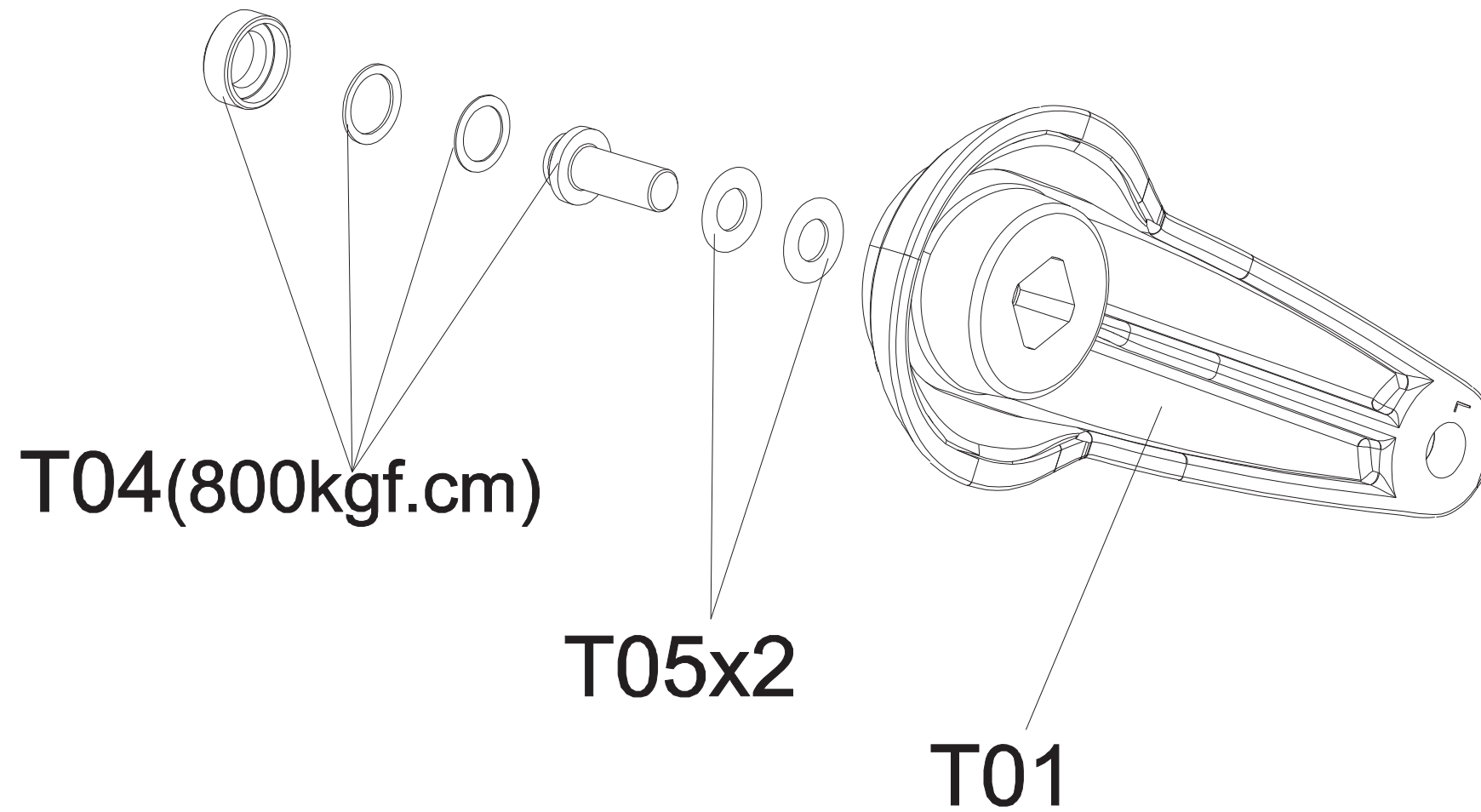
DRAWING NO	CB92-AU3		
PART NAME	Idler Fix Plate Set		
PART NO	1000230354 ^R _B		
APPROVE	KEN	DATE	20121217



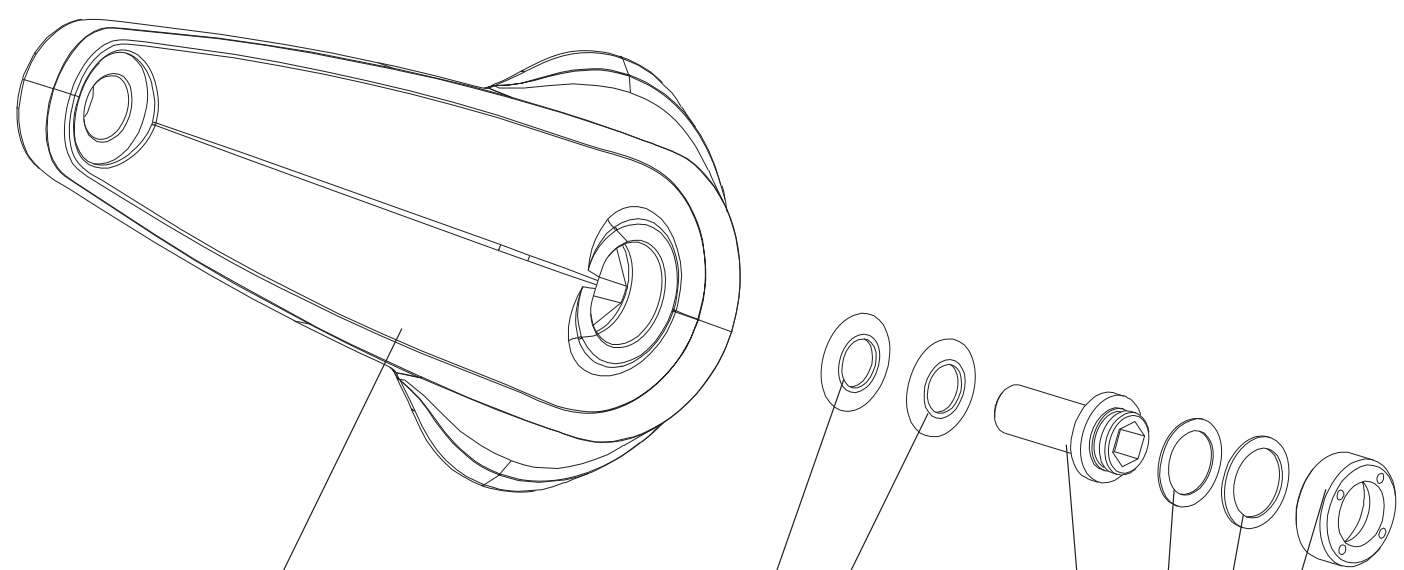
DRAWING NO	CB92-AU4		
PART NAME	Idler Set		
PART NO	1000307358	REV	B
APPROVE	KEN	DATE	20130116



DRAWING NO	RB162-AT11		PART NO.	Describes
PART NAME	Left Crank Set		1000345278	Left Crank set;Grey;RB162
PART NO		REV	1000393624	Left Crank set;Red;RB162D
APPROVE	Xiaokaicong	DATE	20161018	



DRAWING NO	RB162-AT12	PART NO.	Describes
PART NAME	Right Crank Set	1000345280	Right Crank set;Grey;RB162
PART NO		1000393627	Right Crank set;Red;RB162D
APPROVE	Kaicong Xiao	DATE	20161018

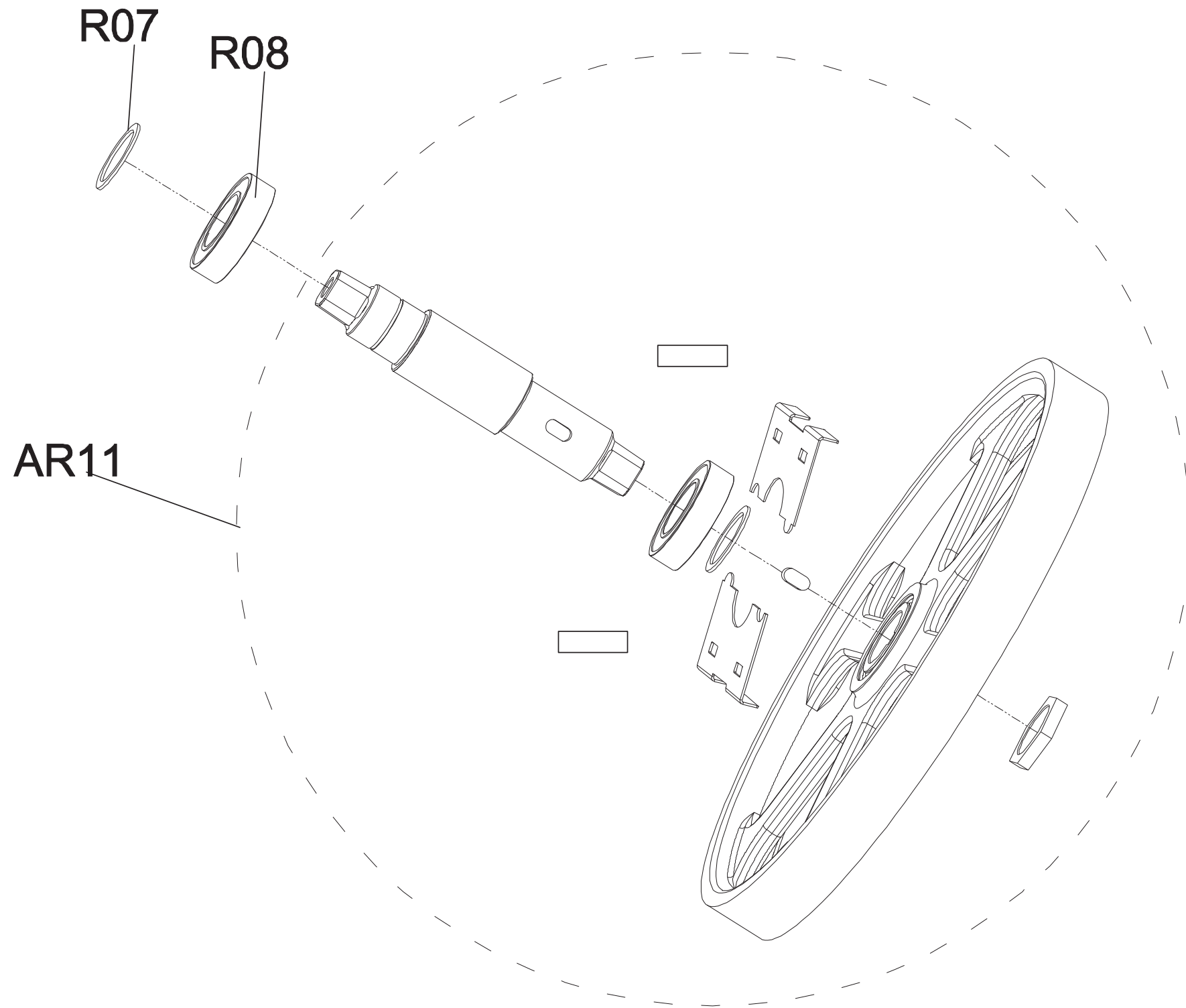


T02

T05x2

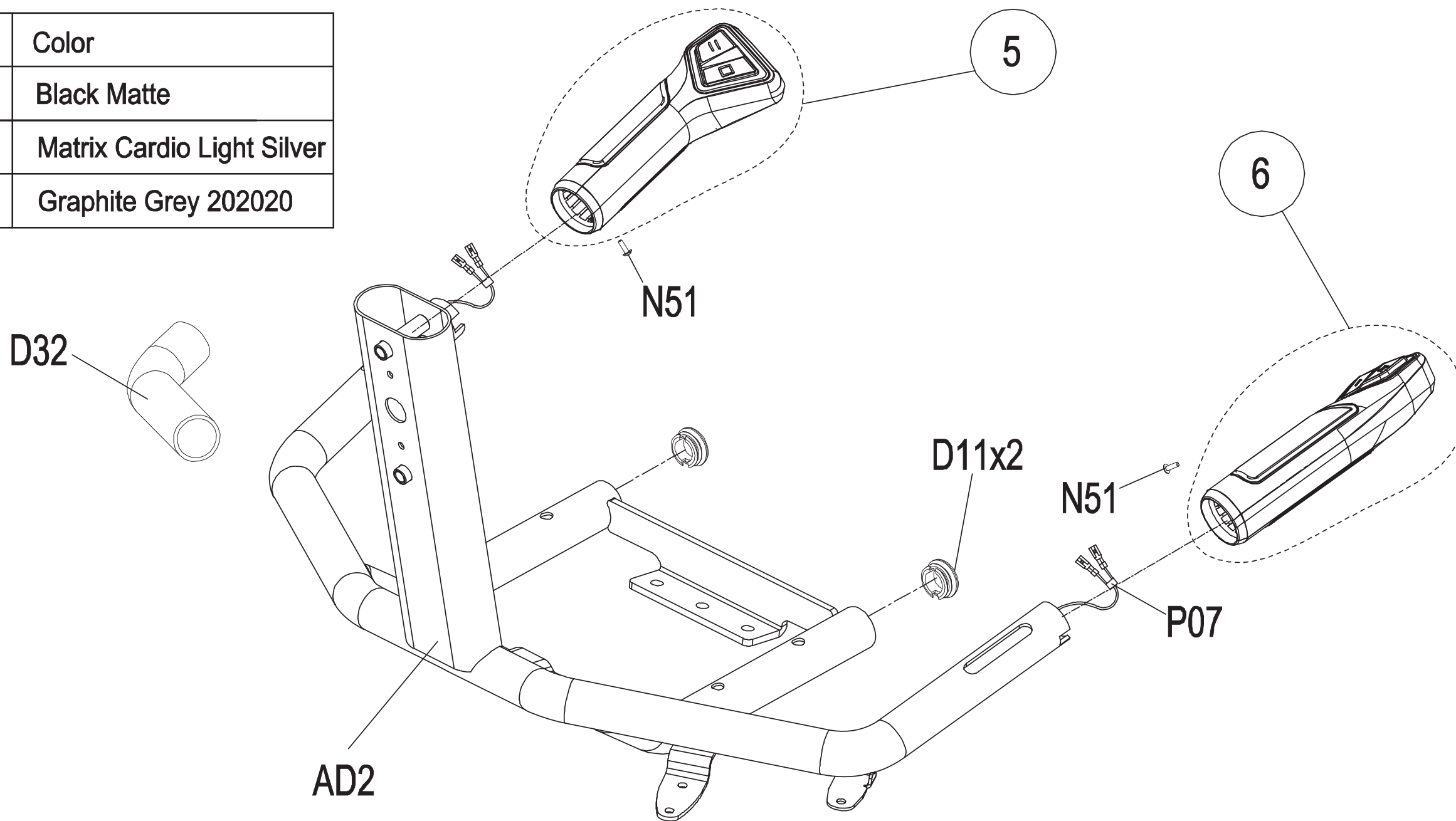
T04(800kgf.cm)

DRAWING NO	RB162-AR11		
PART NAME	Transmission Set		
PART NO	1000381731	REV	A
APPROVE	Xiaokaicong	DATE	2016.08.27

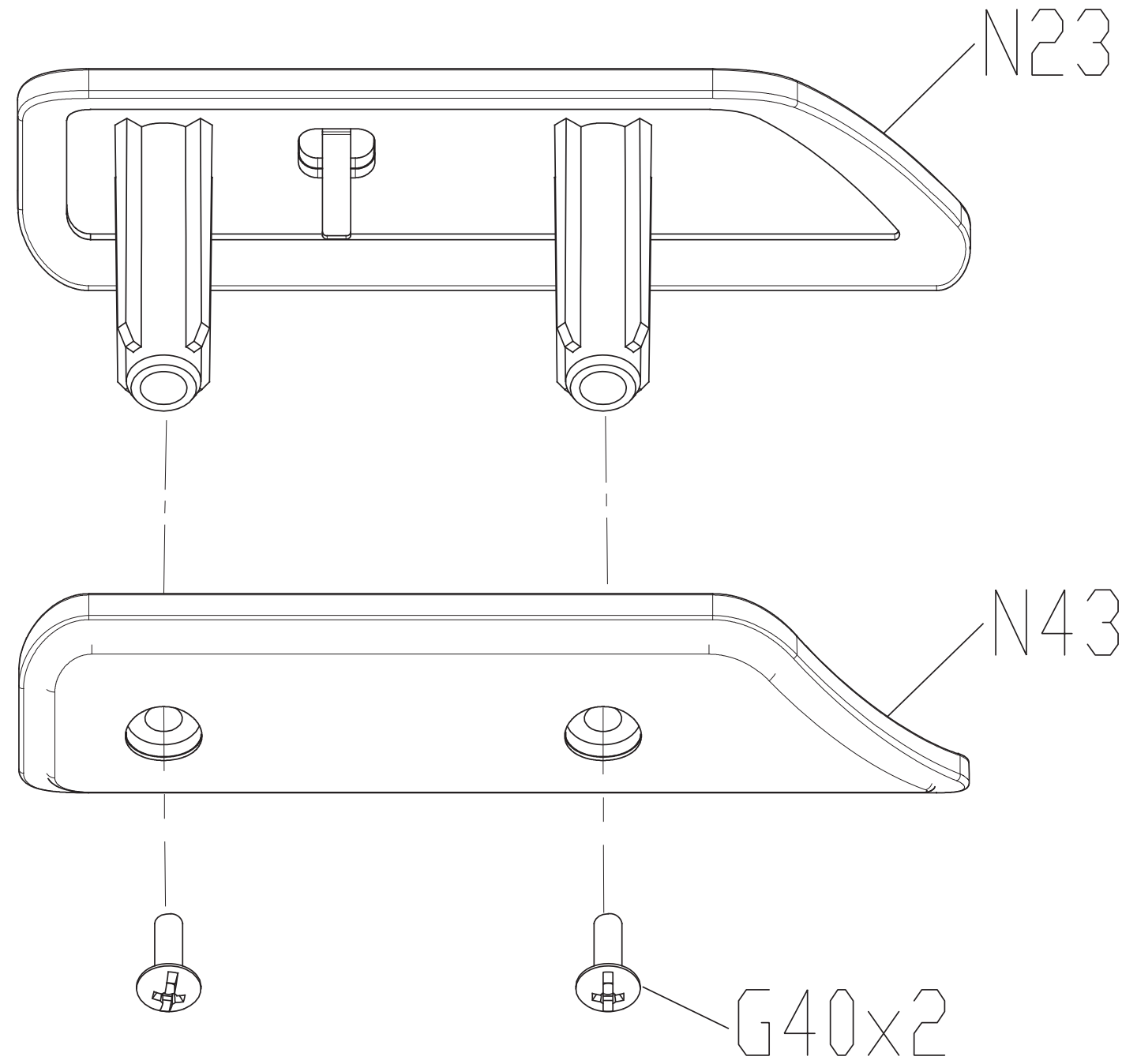


DRAWING NO	RB209-AD01		
PART NAME	Seat set		
PART NO	See Chart	REV	A
APPROVE	Harvey	DATE	2019.12.27

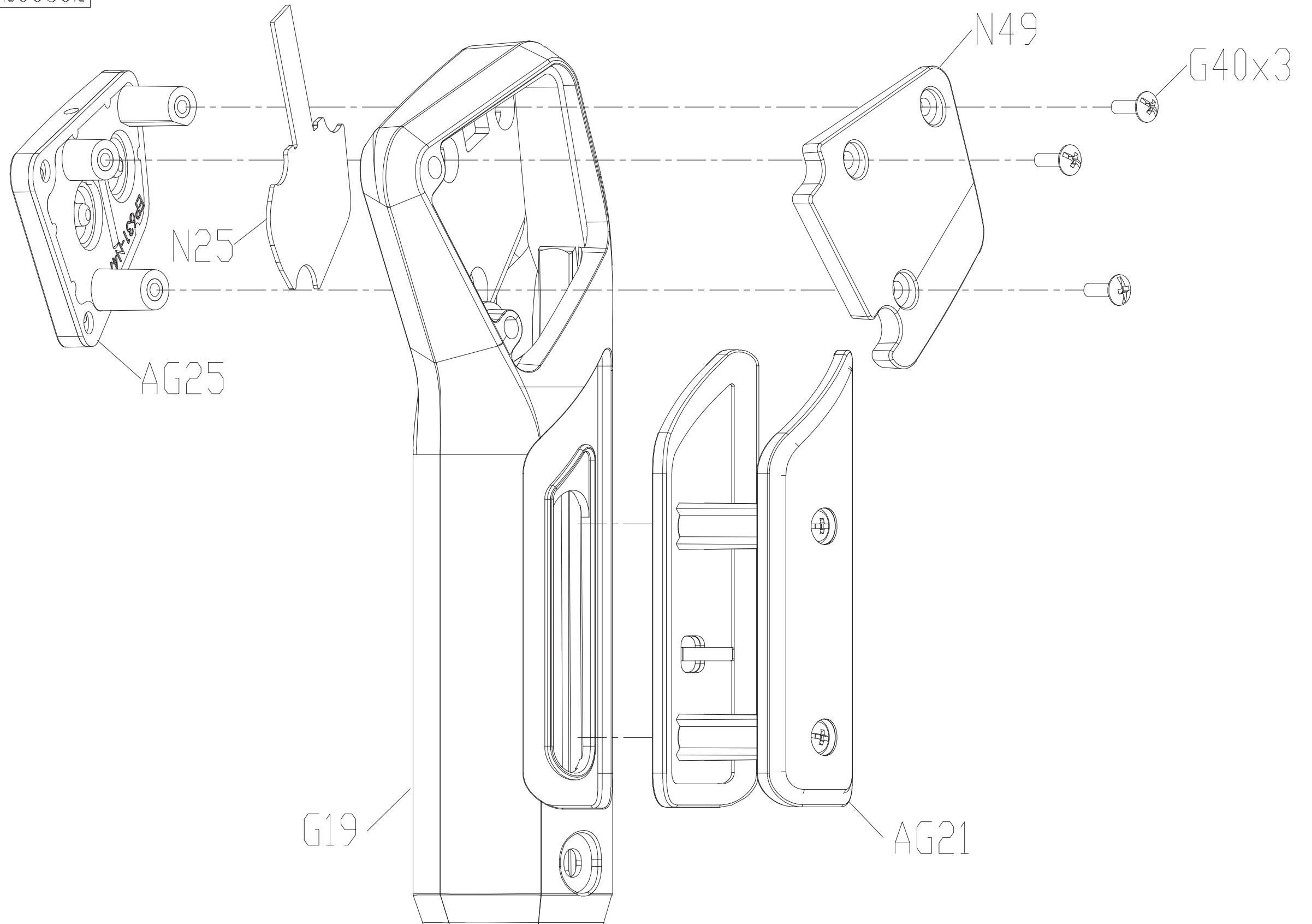
Part NO.	Color
1000446596	Black Matte
1000448209	Matrix Cardio Light Silver
1000444520	Graphite Grey 202020



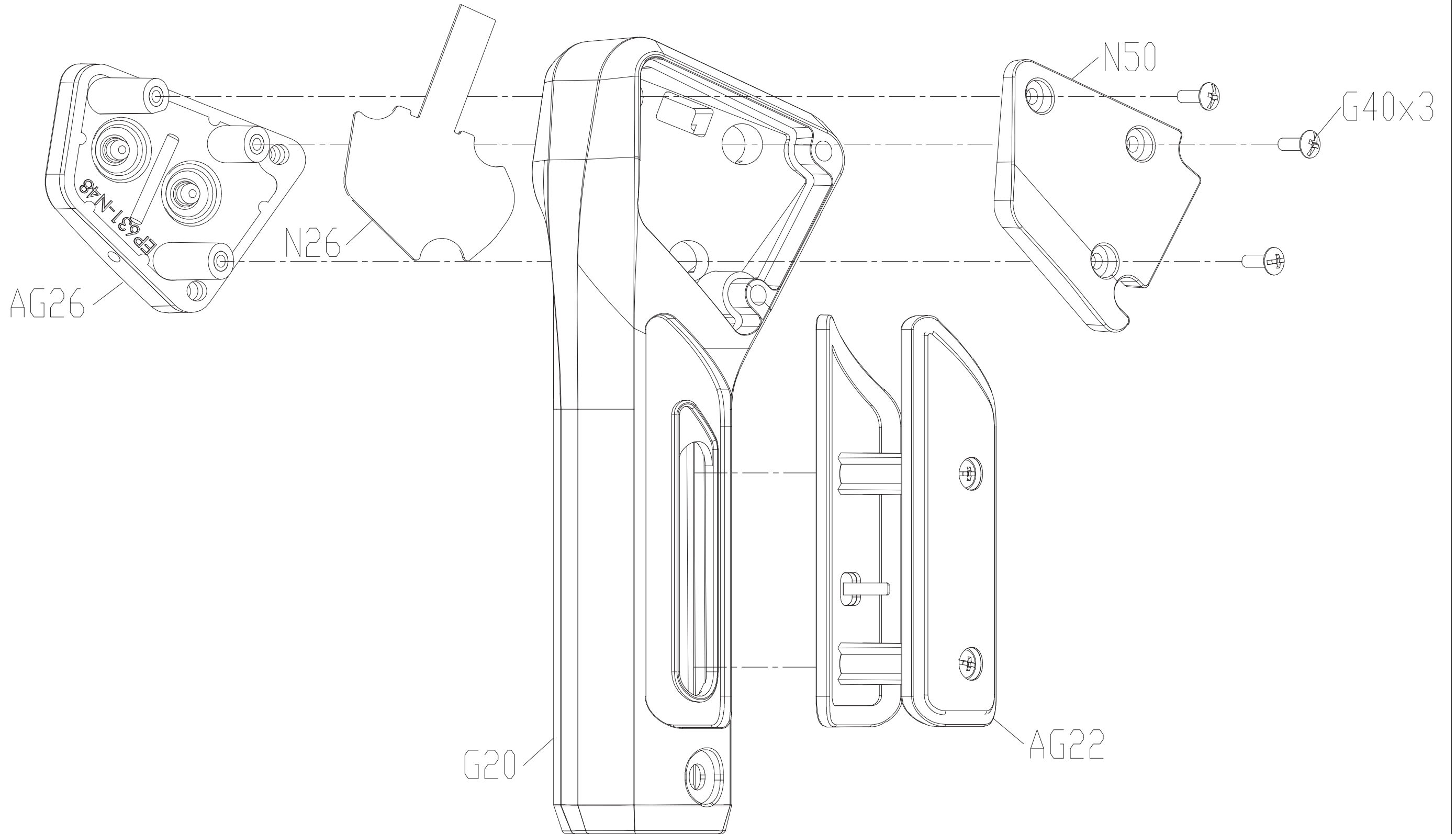
DRAWING NO	CS33-AG21		
PART NAME	Pulse Sensor Set;Grip;left		
PART NO	1000433339 ^R _B		
APPROVE	BROOK	DATE	20190514



DRAWING NO	CS33-AG7		
PART NAME	Hand Pulse Set;Quickly Key;left		
PART NO	1000437064		
APPROVE	BROOK	DATE	20200302



DRAWING NO	CS33-AG8		
PART NAME	Hand Pulse Set;Quickly Key,right		
PART NO	1000437065	REV	D
APPROVE	BROOK	DATE	20200302



DRAWING NO	RB162-AD03		
PART NAME	Seat Slide Set		
PART NO	1000344817	REV	A
APPROVE	Harvey	DATE	2022.02.07

