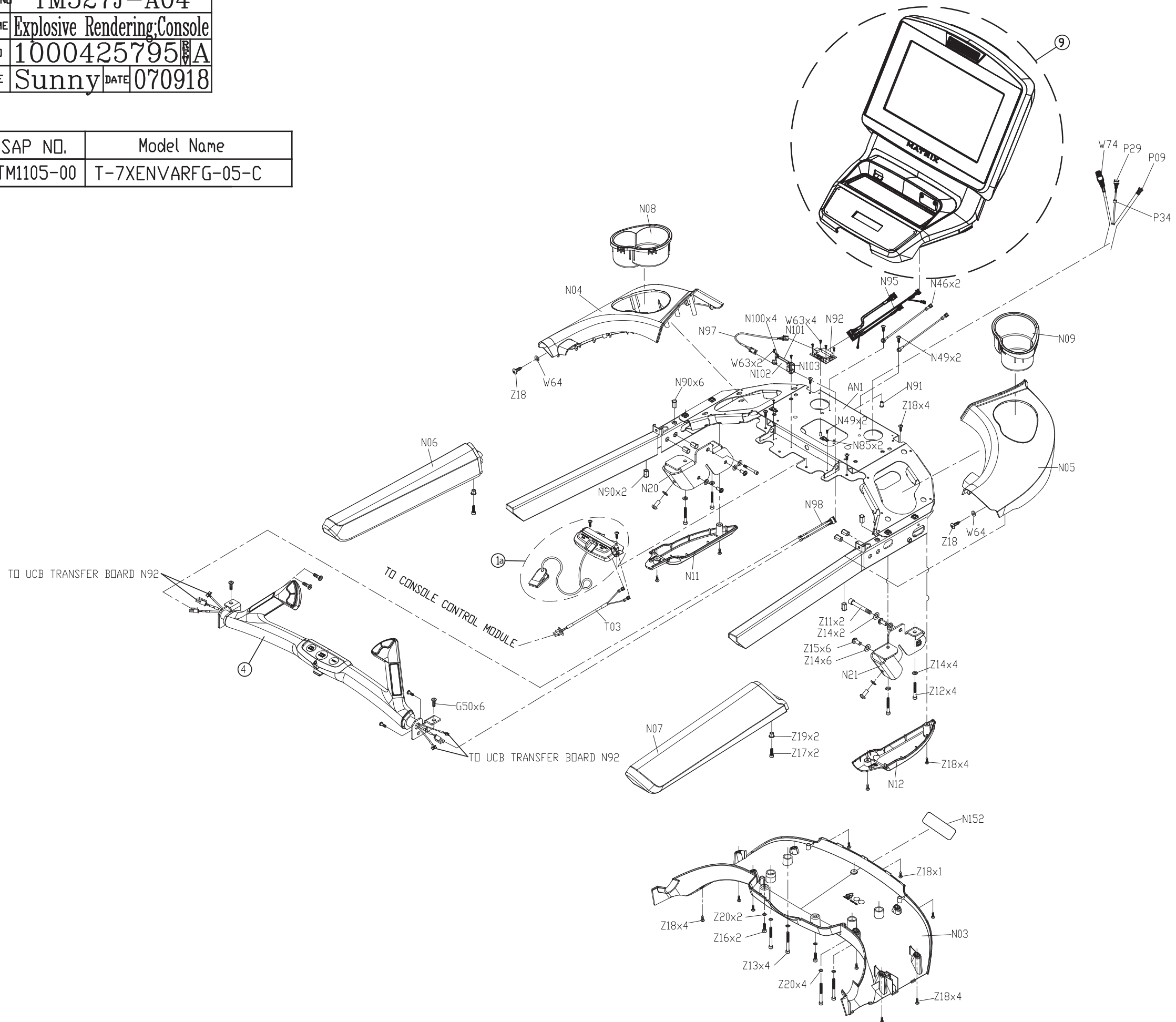


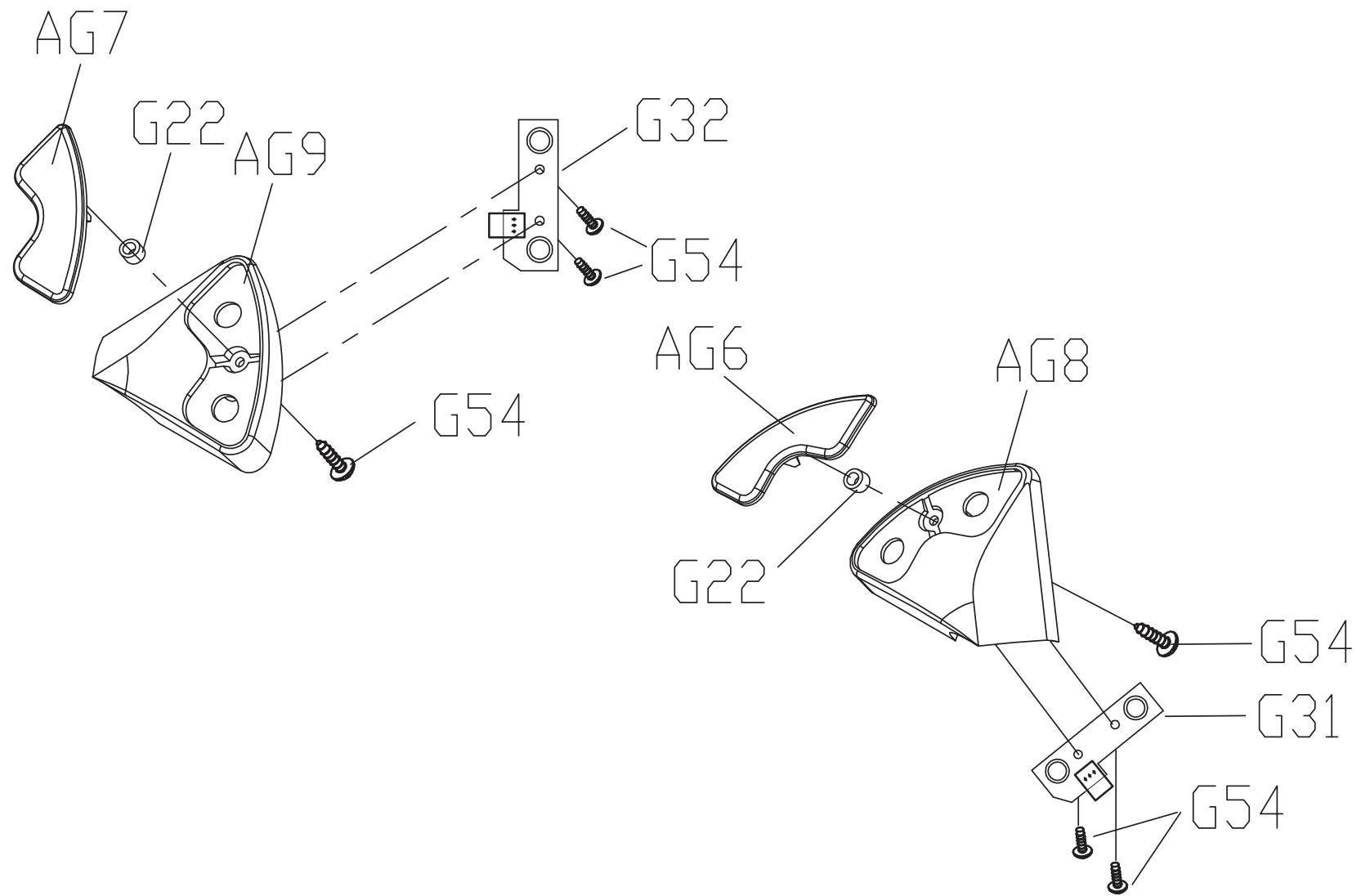
|            |                             |      |        |
|------------|-----------------------------|------|--------|
| DRAWING NO | TM527J-A04                  |      |        |
| PART NAME  | Explosive Rendering Console |      |        |
| PART NO    | 1000425795/A                |      |        |
| APPROVE    | Sunny                       | DATE | 070918 |

|            |                  |
|------------|------------------|
| SAP NO.    | Model Name       |
| MTM1105-00 | T-7XENVARFG-05-C |





|            |  |      |        |
|------------|--|------|--------|
| DRAWING NO | TM502-AG12                               |      |        |
| PART NAME  | Quick Key Set                            |      |        |
| PART NO    | 0000089687 <sup>R</sup> <sub>REV</sub> B |      |        |
| APPROVE    | SHUYI                                    | DATE | 101211 |

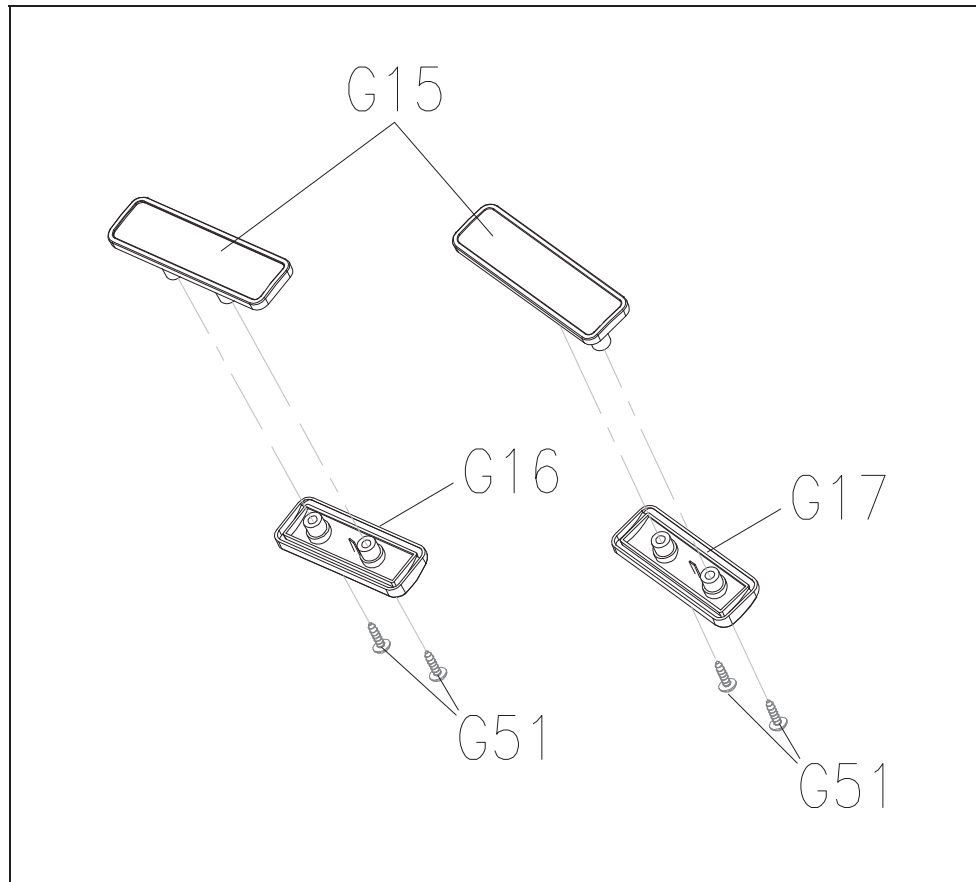




# T7x-01-C

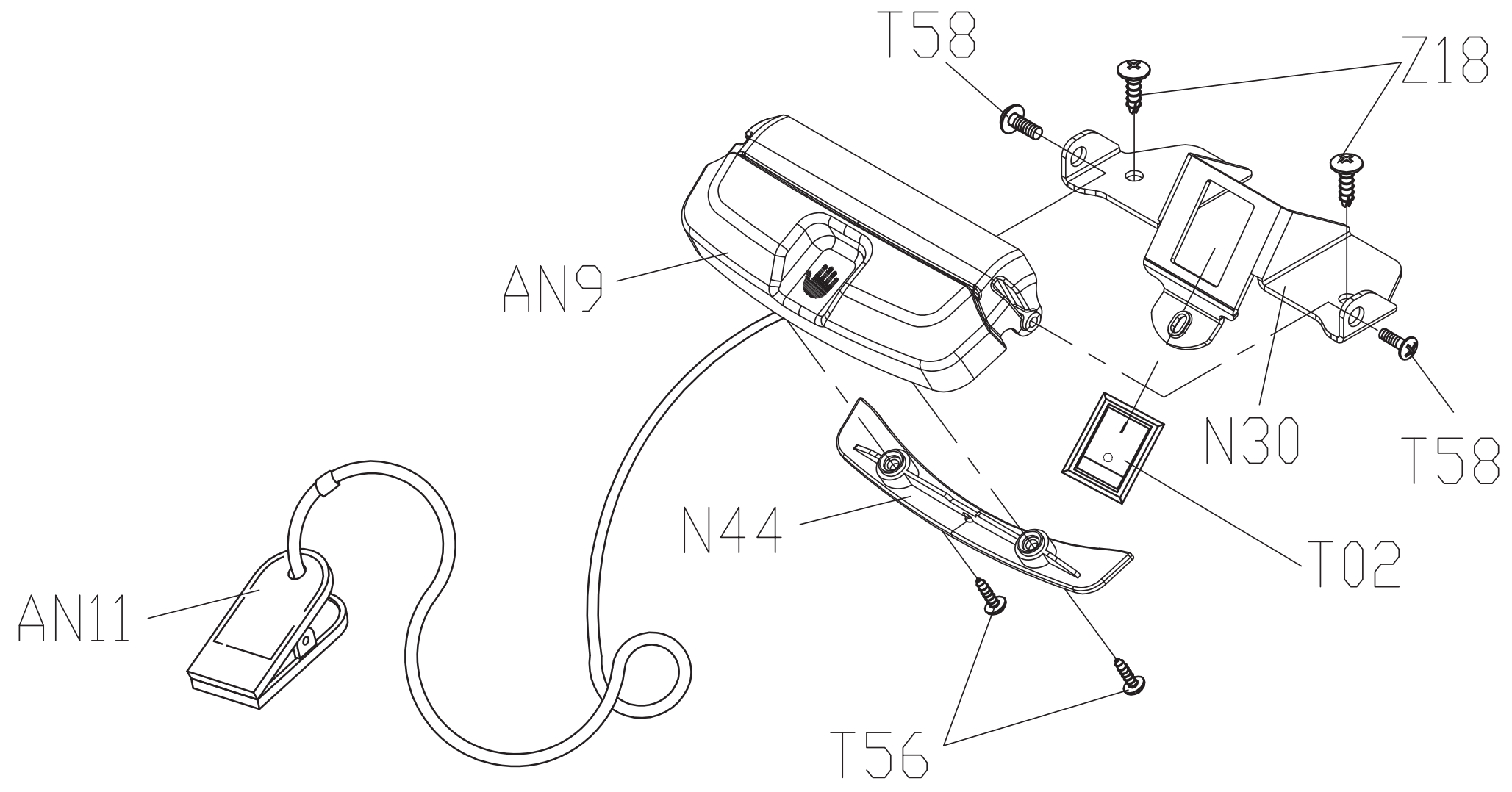
## 0000091816

### HR GRIP COVER SET

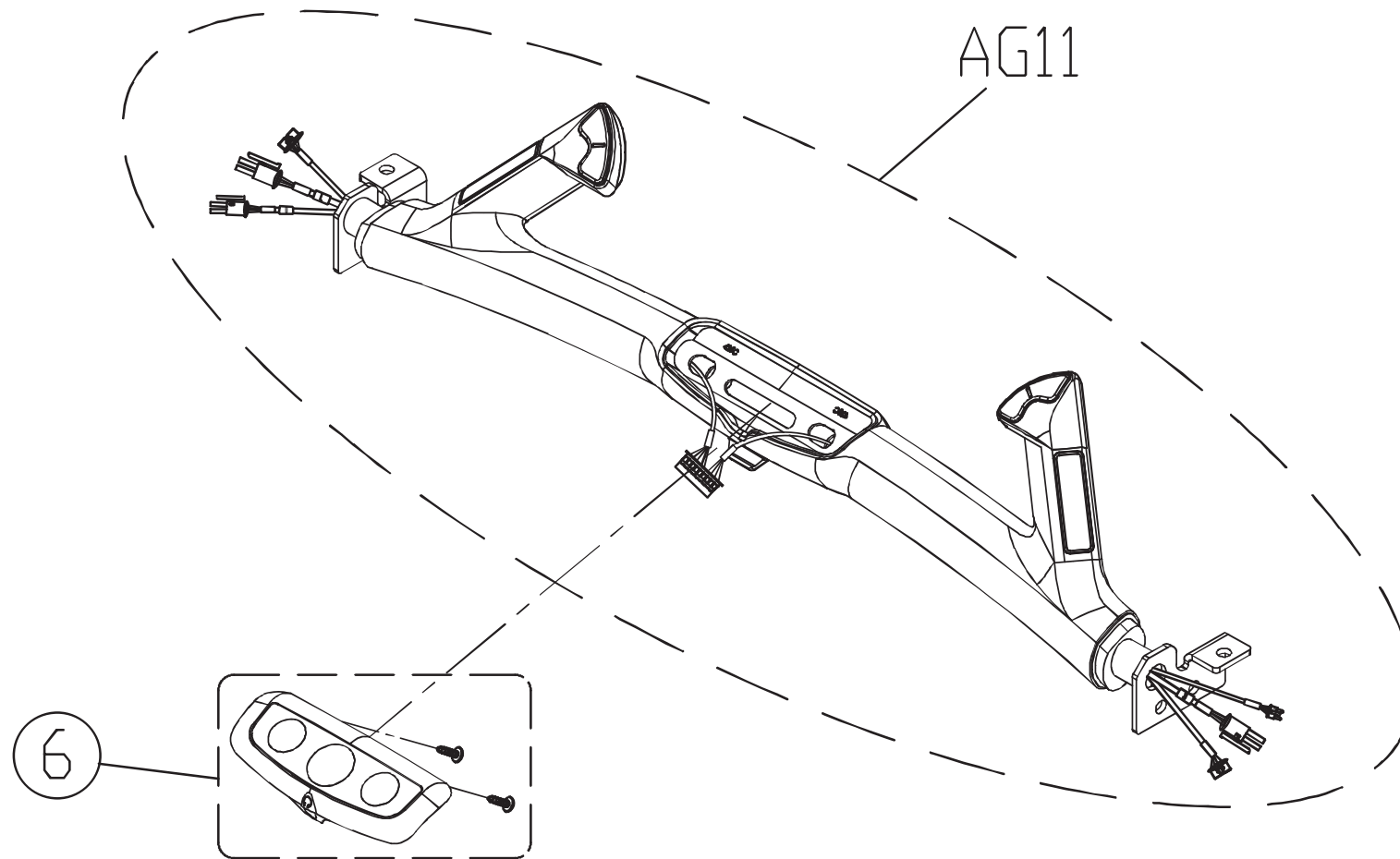


| Item No. | SAP Part NO | Description            | QTY |
|----------|-------------|------------------------|-----|
| G15      | 0000086068  | COVER; SENSOR; UPPER   | 2   |
| G16      | 0000086092  | COVER; SENSOR; LEFT;   | 1   |
| G17      | 0000086271  | COVER; SENSOR; RIGHT;  | 1   |
| G51      | 0000087858  | SCREW; PHILLIP; ROUND; | 4   |

|            |                                      |      |        |
|------------|--------------------------------------|------|--------|
| DRAWING NO | TM501-AT6                            |      |        |
| PART NAME  | SAFETY KEY SET                       |      |        |
| PART NO    | 1000233602 <sup>R</sup> <sub>B</sub> |      |        |
| APPROVE    | S.T.C                                | DATE | 083112 |

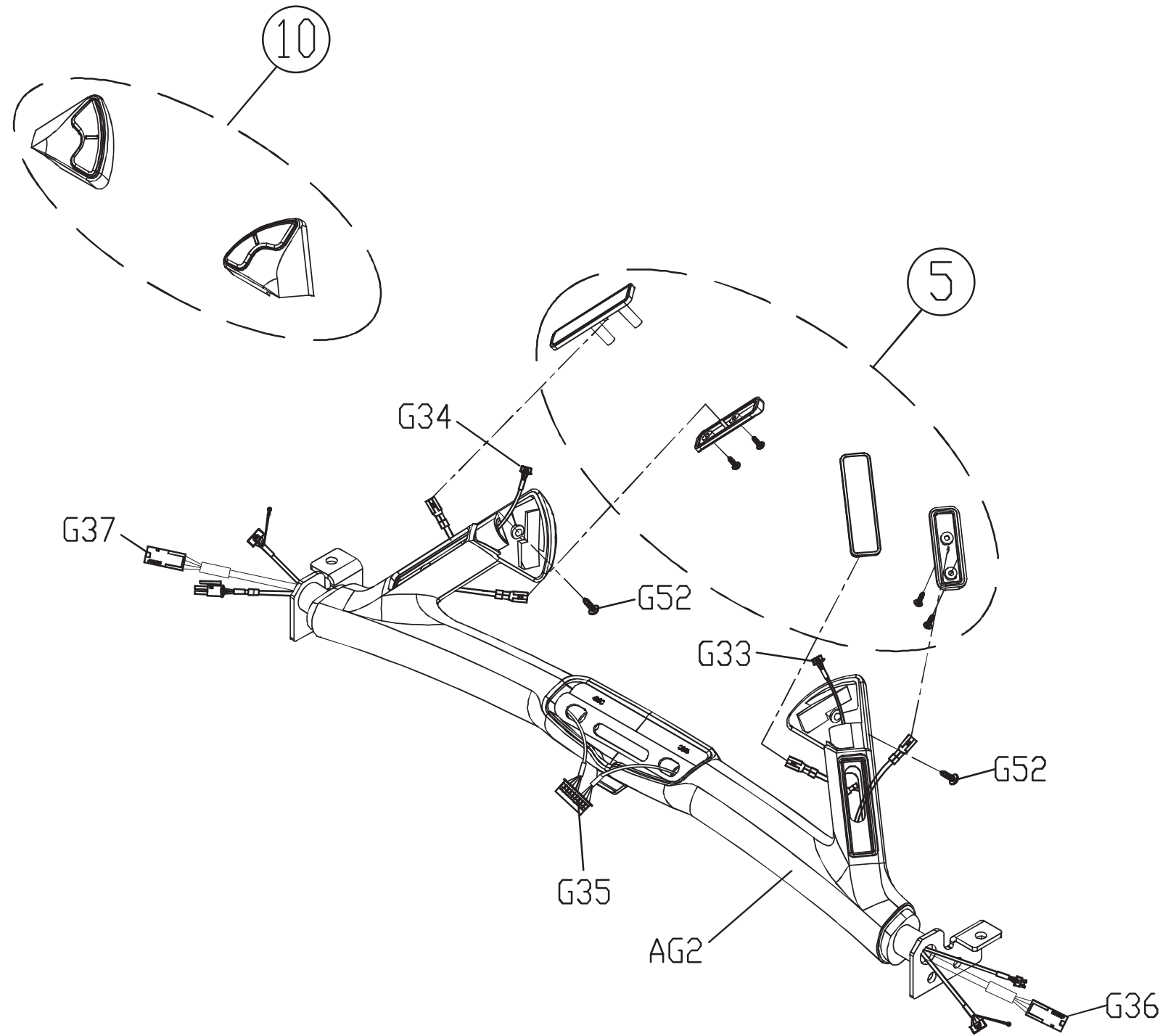


|            |                                |      |        |
|------------|--------------------------------|------|--------|
| DRAWING NO | TM527-AG21                     |      |        |
| PART NAME  | Handlebar Set                  |      |        |
| PART NO    | As Attachment <sup>REV</sup> B |      |        |
| APPROVE    | SHUYI                          | DATE | 052115 |

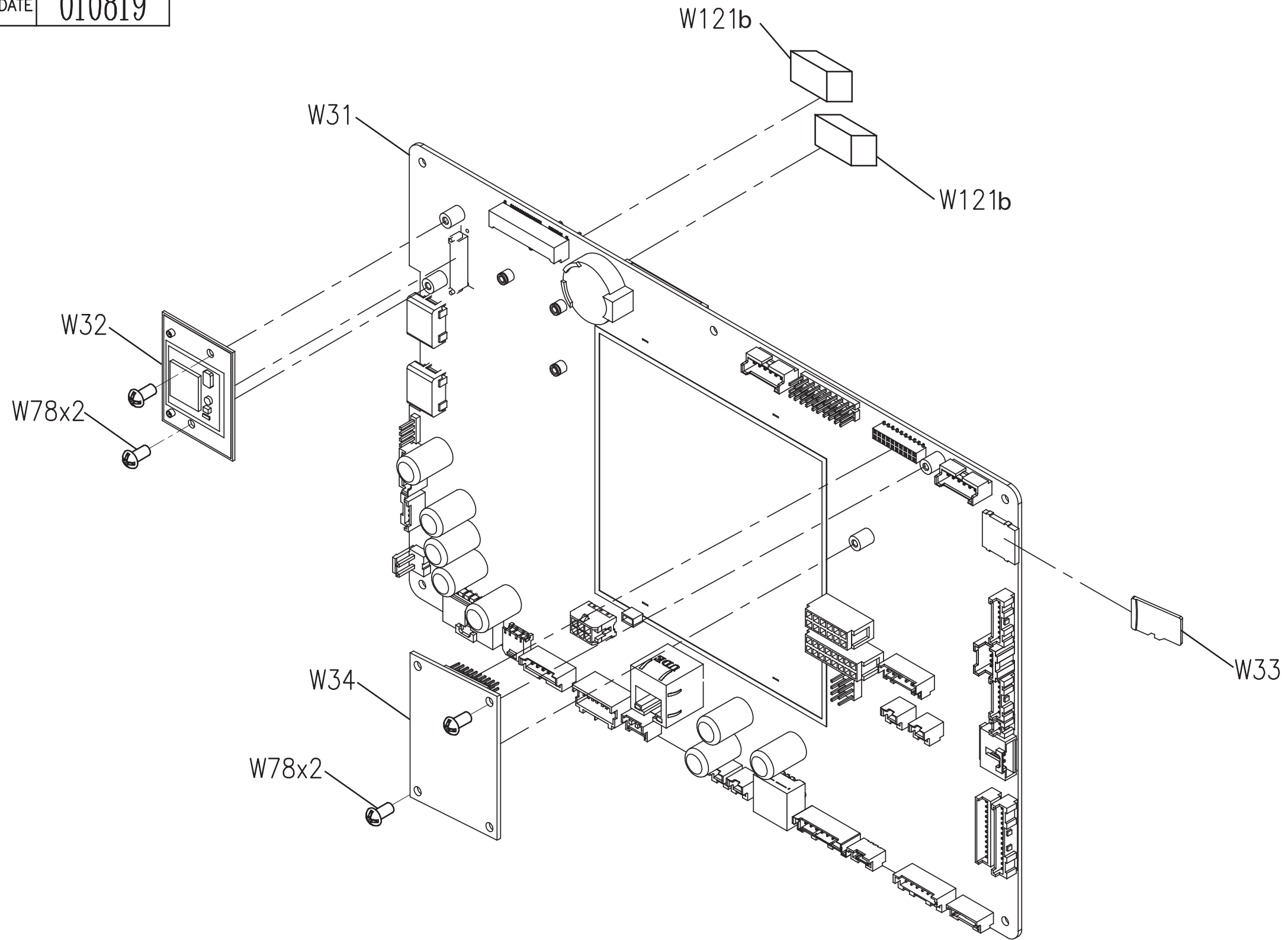


| Part NO    | Description              |
|------------|--------------------------|
| 1000356217 | Handlebar Set;English    |
| 1000361041 | Handlebar Set;German     |
| 1000361043 | Handlebar Set;Spanish    |
| 1000361045 | Handlebar Set;Italian    |
| 1000361047 | Handlebar Set;French     |
| 1000361050 | Handlebar Set;Dutch      |
| 1000361052 | Handlebar Set;Polish     |
| 1000361054 | Handlebar Set;Portuguese |
| 1000356360 | Handlebar Set;Japan      |

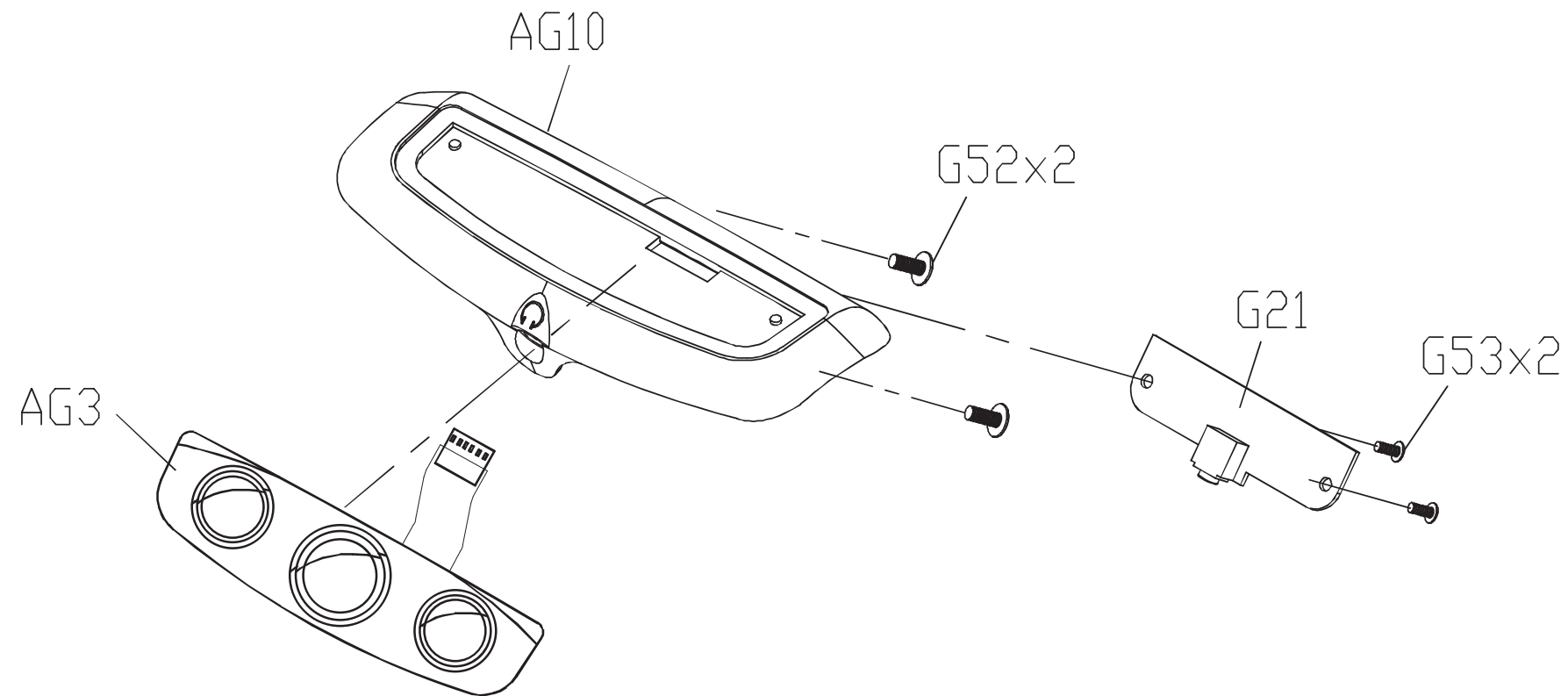
|            |               |      |        |
|------------|---------------|------|--------|
| DRAWING NO | TM527-AG11    |      |        |
| PART NAME  | Handlebar Set |      |        |
| PART NO    | 1000356383    | REV  | C      |
| APPROVE    | Hsinyen       | DATE | 030915 |



|            |                   |      |        |
|------------|-------------------|------|--------|
| DRAWING NO | TM527D-AW31       |      |        |
| PART NAME  | Control Board Set |      |        |
| PART NO    | 1000382032        | REV  | K      |
| APPROVE    | SHUYI             | DATE | 010819 |



|            |  |      |        |
|------------|--|------|--------|
| DRAWING NO | TM527-AG22   |      |        |
| PART NAME  | Quick Start Overlay Set                                  |      |        |
| PART NO    | As Attachment <sup>R</sup> / <sub>E</sub> / <sub>D</sub> |      |        |
| APPROVE    | Heady  | DATE | 060116 |



| Part NO    | Description              |
|------------|--------------------------|
| 1000385846 | ES/MS;English;T-7xe-05-C |
| 1000385847 | MS;German;T-7xe-05-C     |
| 1000385848 | MS;Spanish;T-7xe-05-C    |
| 1000385849 | MS;Italian;T-7xe-05-C    |
| 1000385850 | MS;French;T-7xe-05-C     |
| 1000385851 | MS;Dutch;T-7xe-05-C      |
| 1000385852 | MS;Polish;T-7xe-05-C     |
| 1000385853 | MS;Portuguese;T-7xe-05-C |
| 1000385854 | MS;Japan;T-7xe-05-C      |

|            |               |      |        |
|------------|---------------|------|--------|
| DRAWING NO | TM527K-AW32   |      |        |
| PART NAME  | Gymkit;TM527K |      |        |
| PART NO    | 1000421640    | REV  | C      |
| APPROVE    | Allen         | DATE | 062018 |

