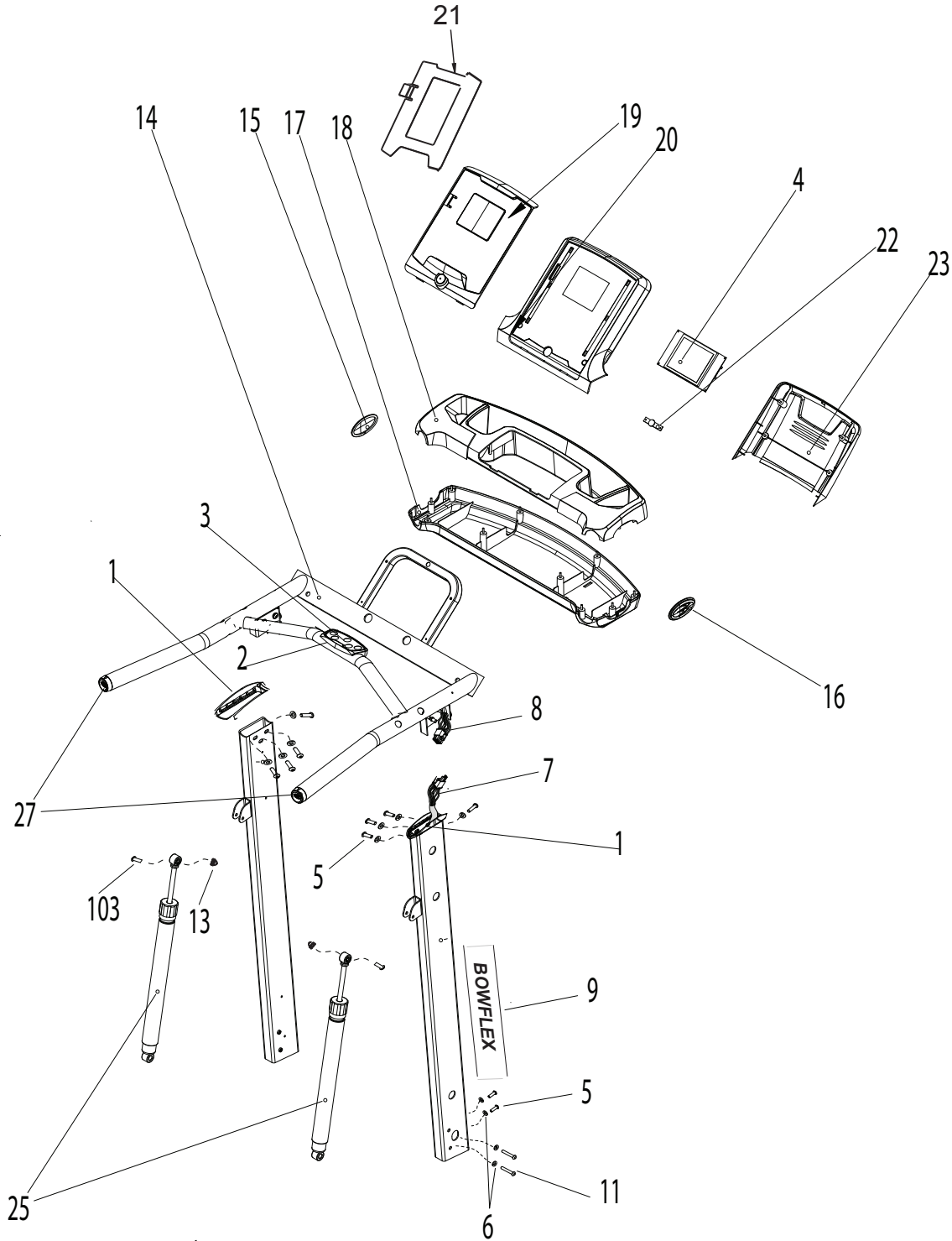


TITLE: EXP VIEW DWG- BFX TC6000			
DRAWN J.MORGAN	DOC. PART NO.	PRODUCT SKU NO.	REV.
DATE 11/05/2012	SM00110-001-W	SM00110-001	D

Parts are not available for purchase. Diagrams and part numbers provided for customer knowledge only. Some parts may be available through fitnessrepairparts.com or sportsmith.com.



110

HDW
BAG



112



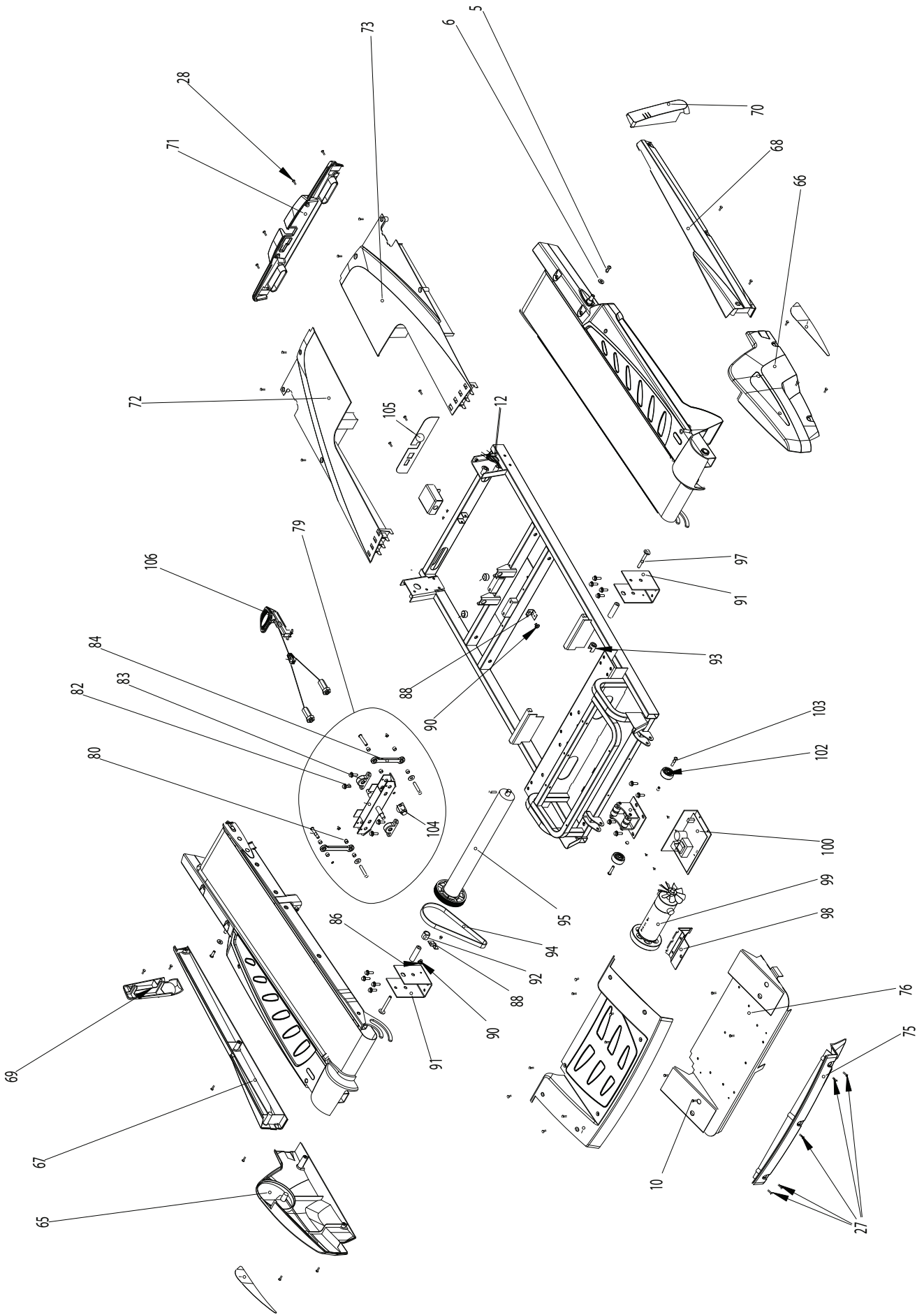
113



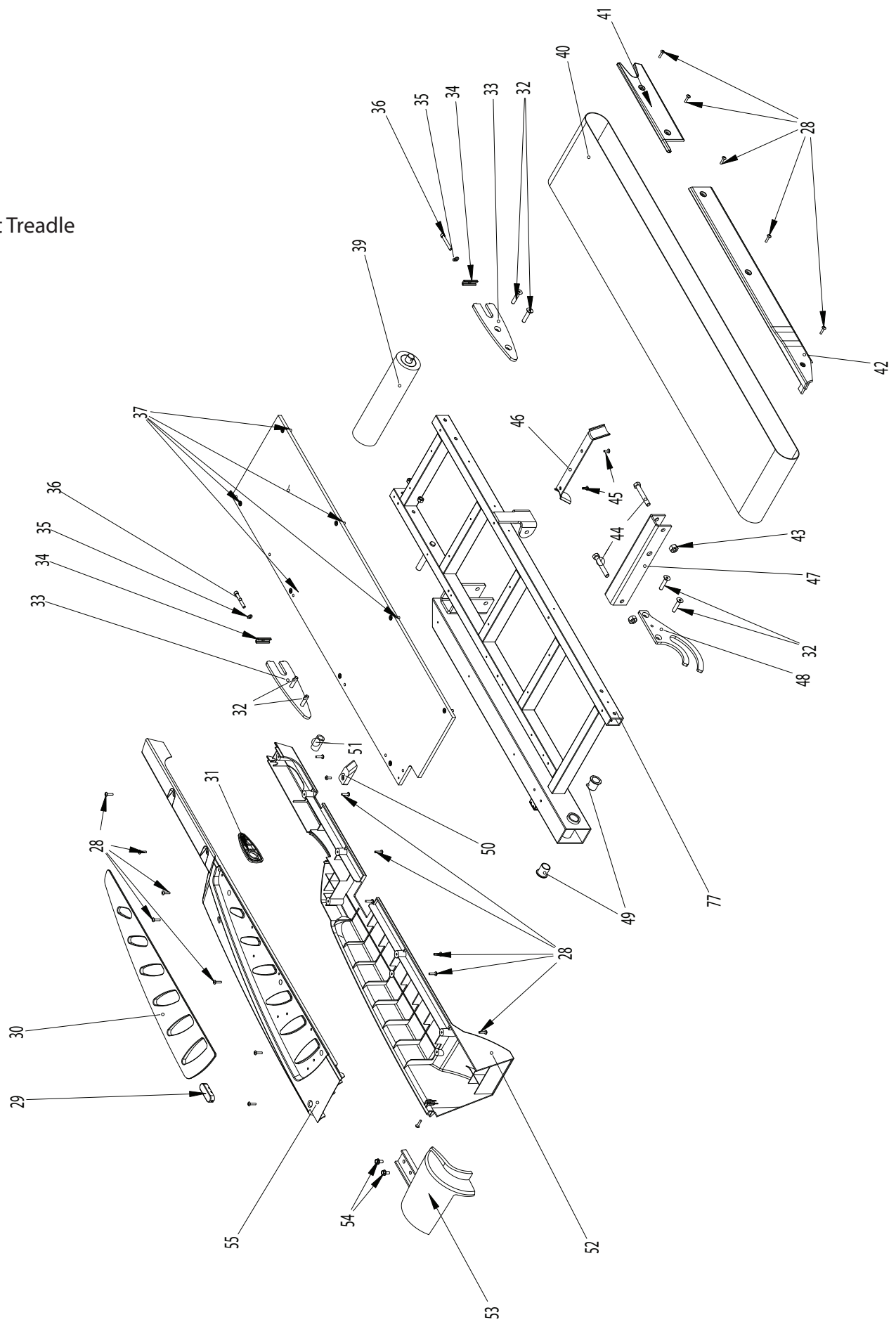
114



115



Left Treadle



Right Treadle

