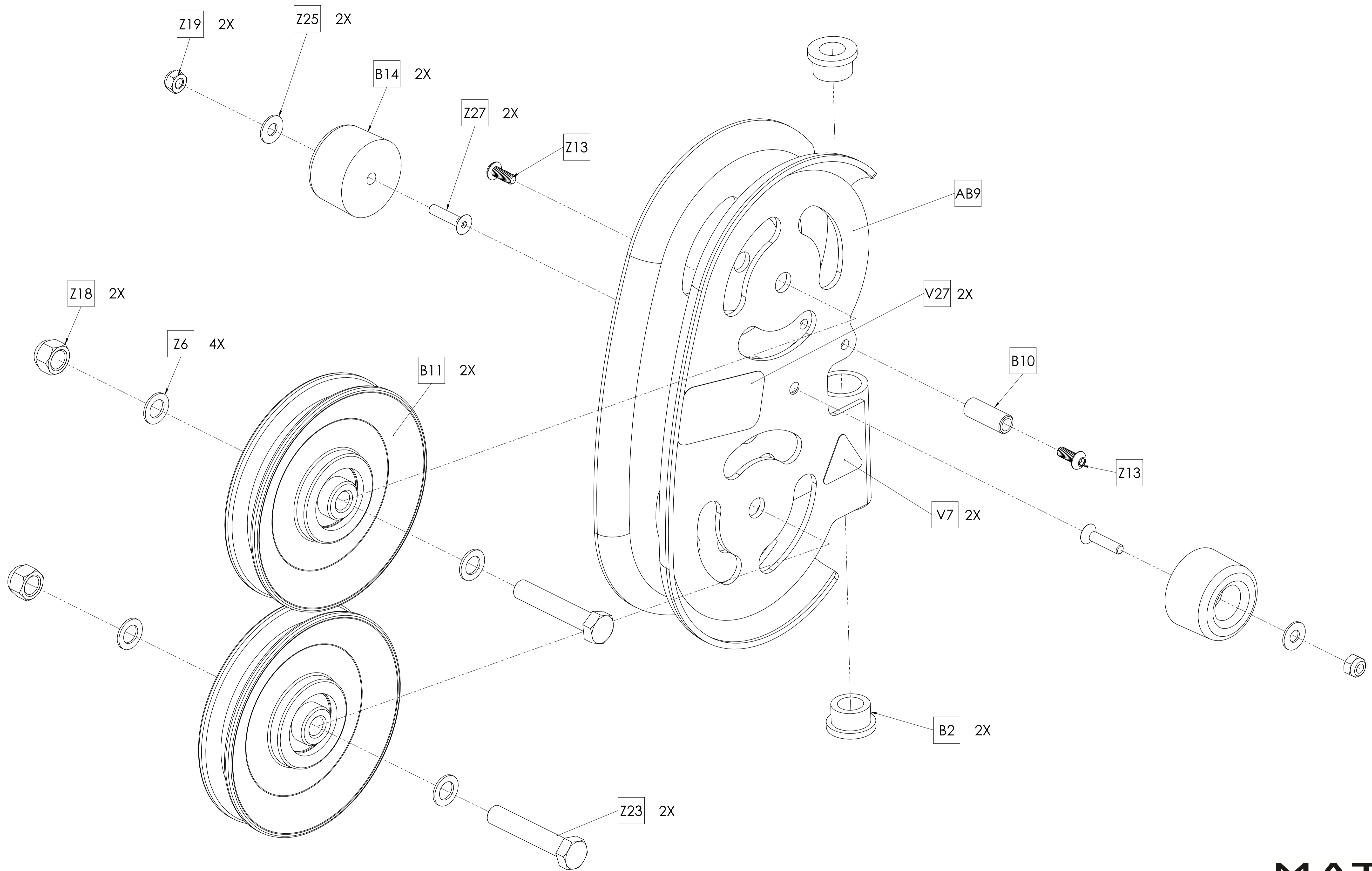


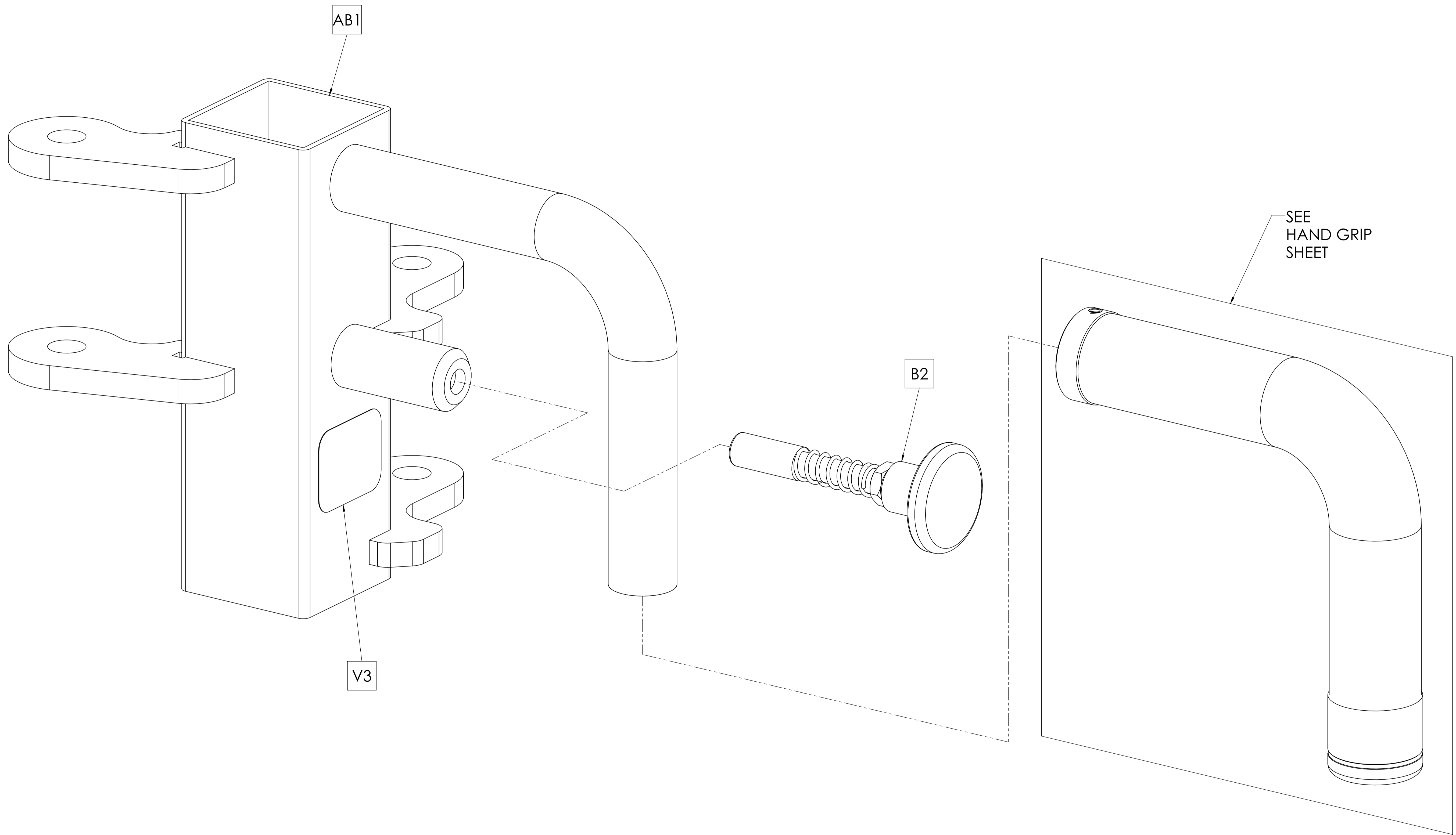
MATRIX

DWG NO.		
161-038 SERVICE		
DESCRIPTION: PULLEY TOP ASSY;2X WEIGHT STACK (Strength)		
DRAWN BY:	LMB	DATE: 2016.SEP.15
UPDATED BY:	LG	DATE: 2020.APR.16



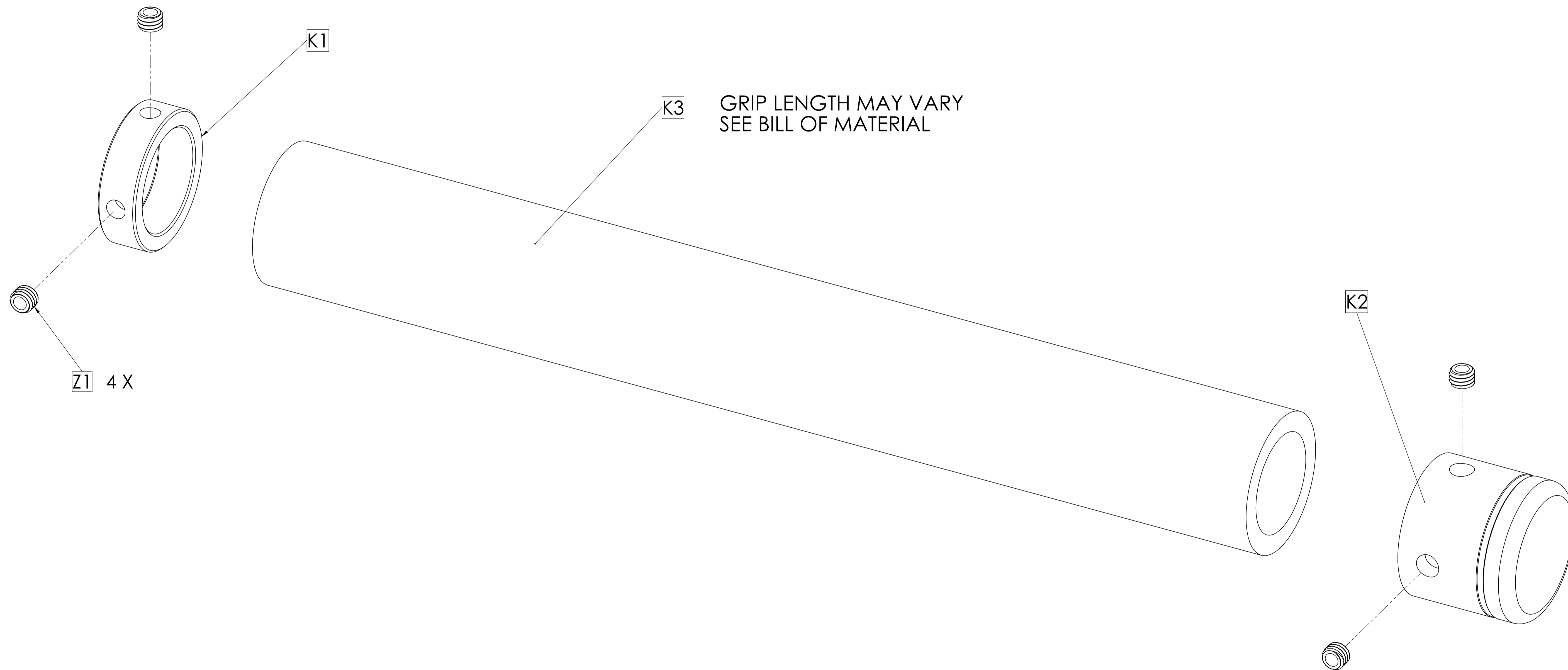
MATRIX

DWG NO.		
161-147 SERVICE		
DESCRIPTION: DOUBLE PULLEY;BOOK;FORMED (Strength)		
DRAWN BY:	LMB	DATE: 2016.MAR.25
UPDATED BY:	--	DATE: --



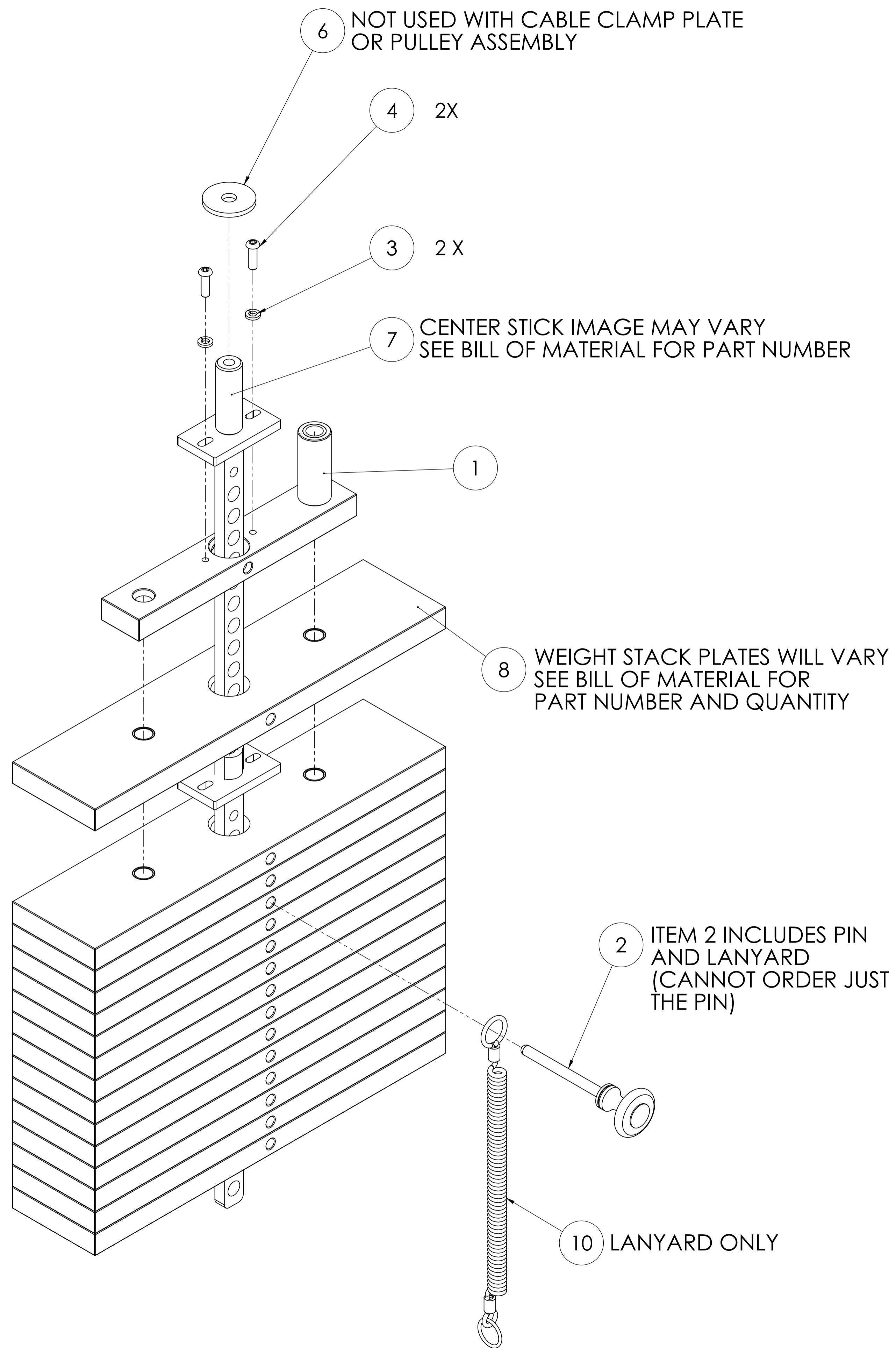
MATRIX

DWG NO.		161-338 SERVICE	
DESCRIPTION:		DP SLIDE ASSEMBLY (Strength)	
DRAWN BY:	LG	DATE:	2020.APR.21
UPDATED BY:		DATE:	

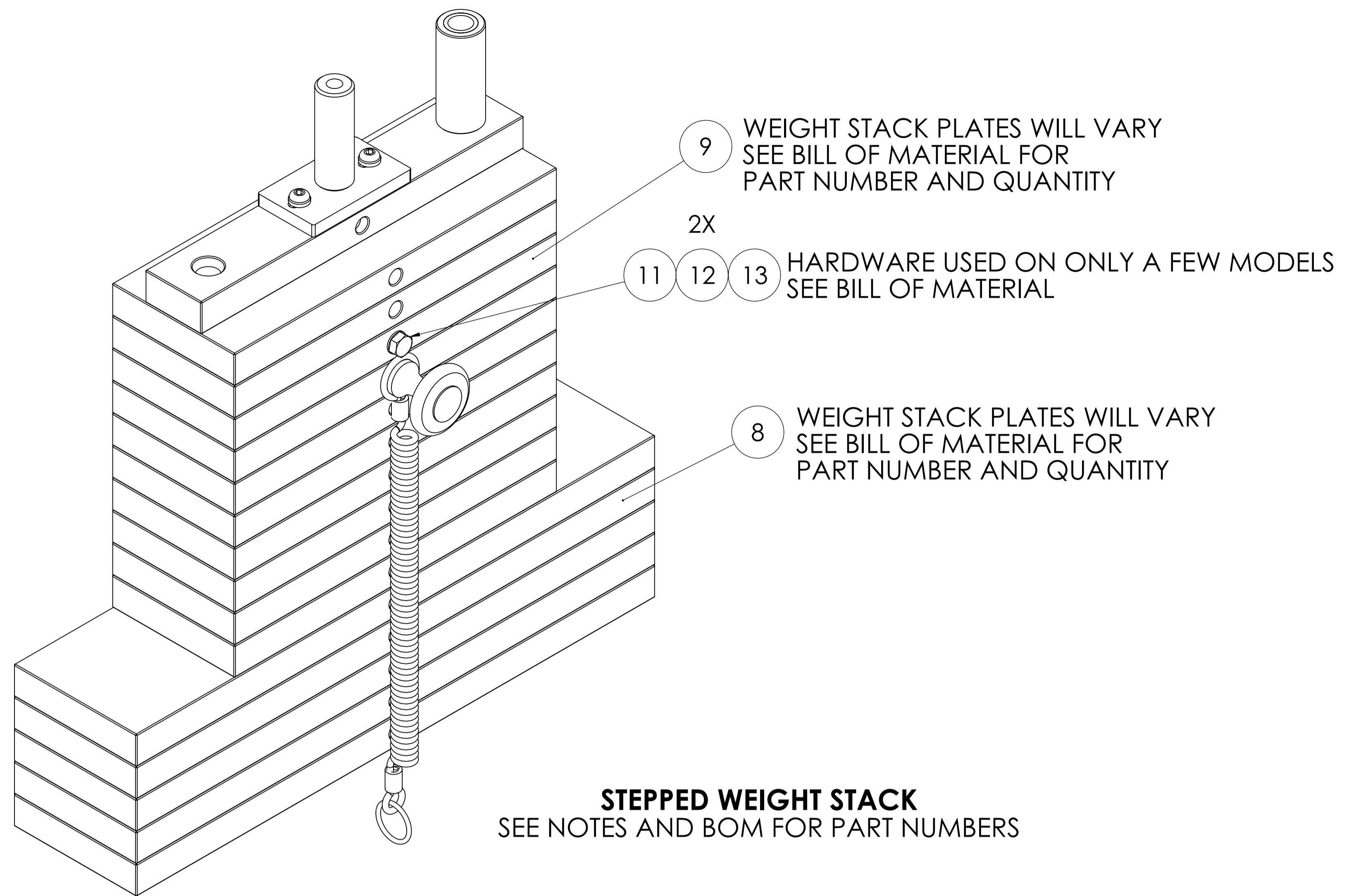


MATRIX

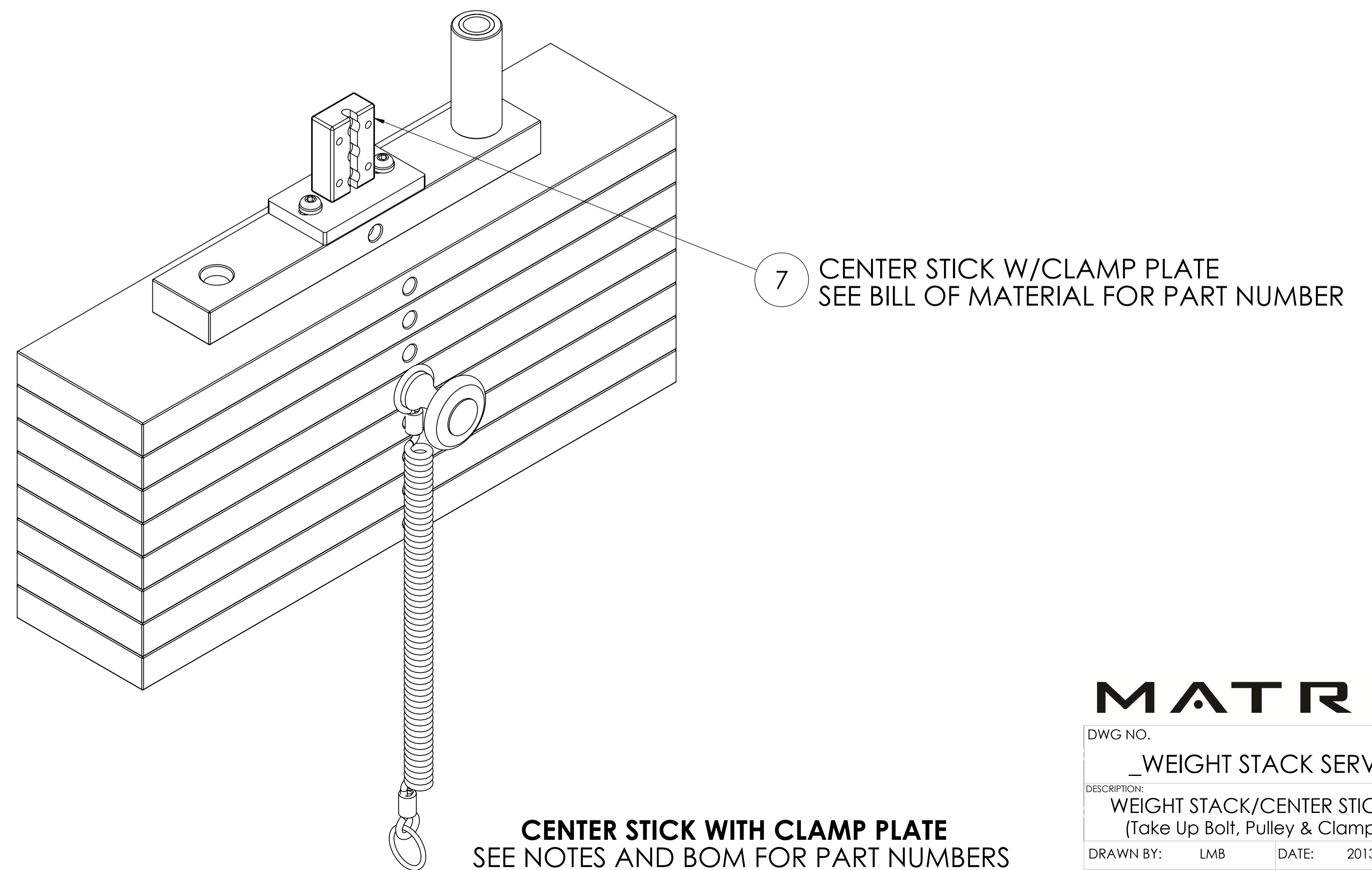
DWG NO: 160-056,160-057,160-058,160-059		
SERVICE		
DESCRIPTION: HAND GRIP (RUBBER GRIP TUBE)		
DRAWN BY:	LMB	DATE: 2013.OCT.07
UPDATED BY:	LMB	DATE: 2015.JUN.05



**CENTER STICK WITH MOUNTING POST
CABLE MOUNTED WITH TAKE UP BOLT OR PULLEY
(SHOWN EXPLODED)**
SEE NOTES AND BOM FOR PART NUMBERS



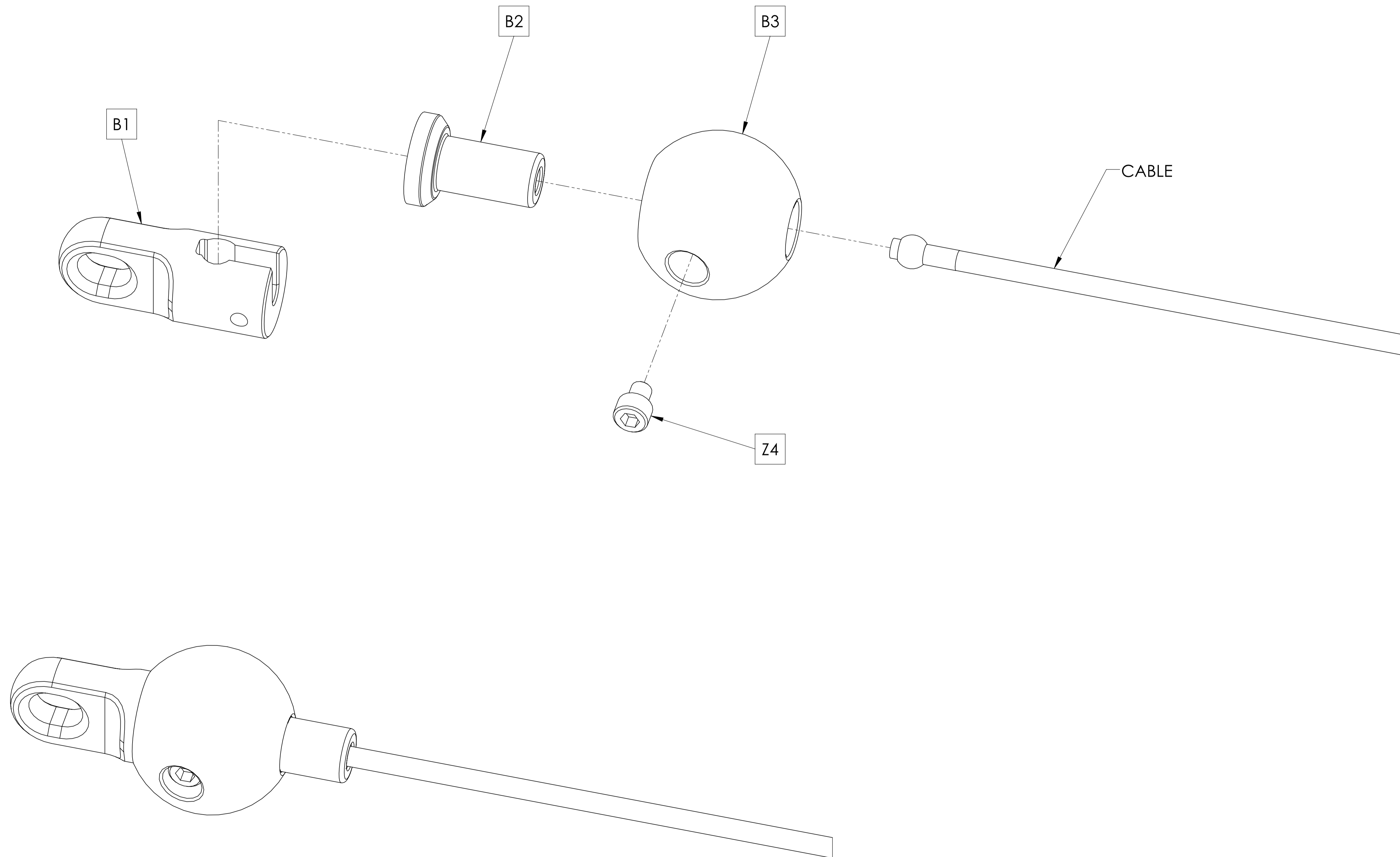
STEPPED WEIGHT STACK
SEE NOTES AND BOM FOR PART NUMBERS



CENTER STICK WITH CLAMP PLATE
SEE NOTES AND BOM FOR PART NUMBERS

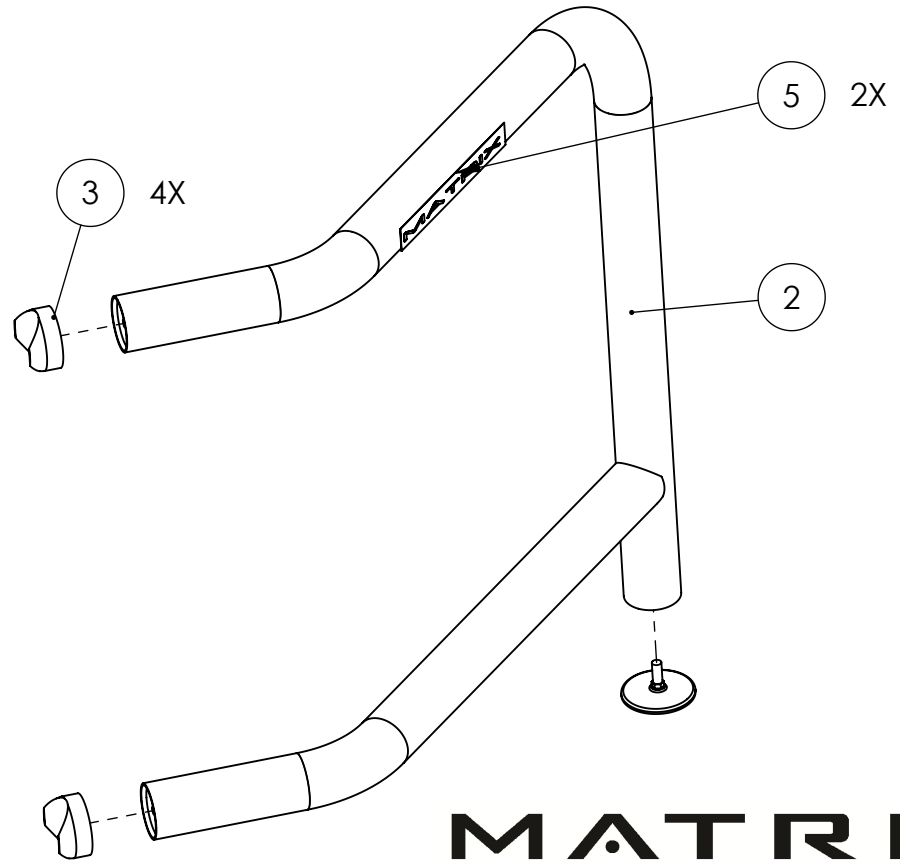
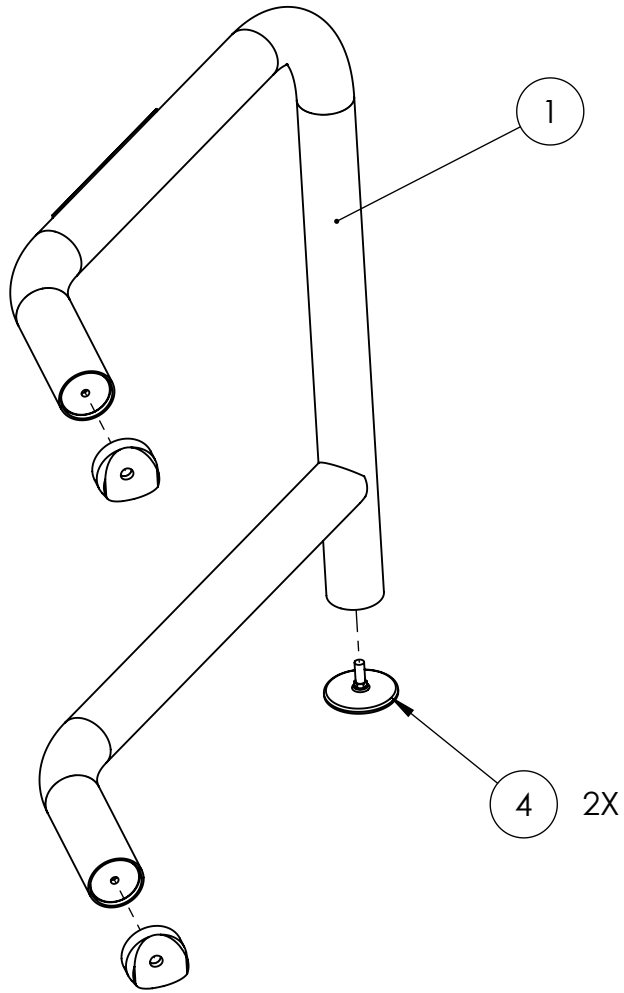
MATRIX

DWG NO.		
_WEIGHT STACK SERVICE		
DESCRIPTION: WEIGHT STACK/CENTER STICK ASSY (Take Up Bolt, Pulley & Clamp Style)		
DRAWN BY:	LMB	DATE: 2013.OCT.10
UPDATED BY:	LG	DATE: 2022.APR.12



MATRIX

DWG NO.	161-442 SERVICE		
DESCRIPTION:	CABLE END BALL ASSEMBLY		
DRAWN BY:	LG	DATE:	2019.SEP.18
UPDATED BY:	LG	DATE:	2020.APR.17



MATRIX

DWG. NO.		160-122 SERVICE	
DESCRIPTION: 900 TOWER SERIES FREE STANDING (SIDES)			
DRAWN:	LMB	DATE	2013.AUG.06
UPDATED:	LG	DATE	2020.APR.20