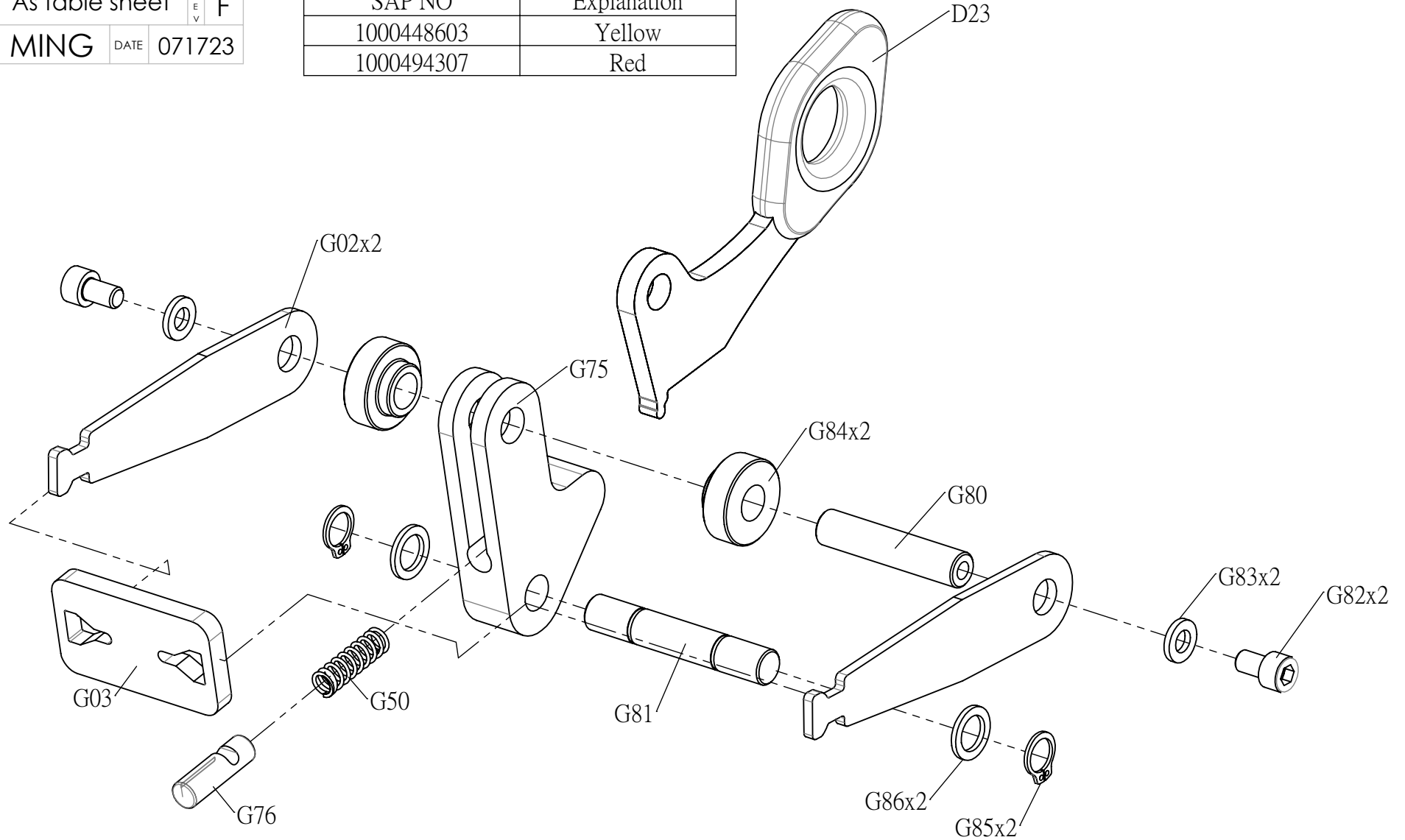


DRAWING NO	FC27-AD14		
PART NAME	ADJUSTABLE HANDLE GROUP:CUSHIONS		
PART NO	As table sheet	REV	F
APPROVE	MING	DATE	071723

SAP NO	Explanation
1000448603	Yellow
1000494307	Red



DRAWING NO	FC20-AD12		
PART NAME	Seat Pad Adjustable Set		
PART NO	As table sheet		
APPROVE	MING	DATE	20230717

SAP NO	Explanation
1000494331	Red
1000404511	Yellow

