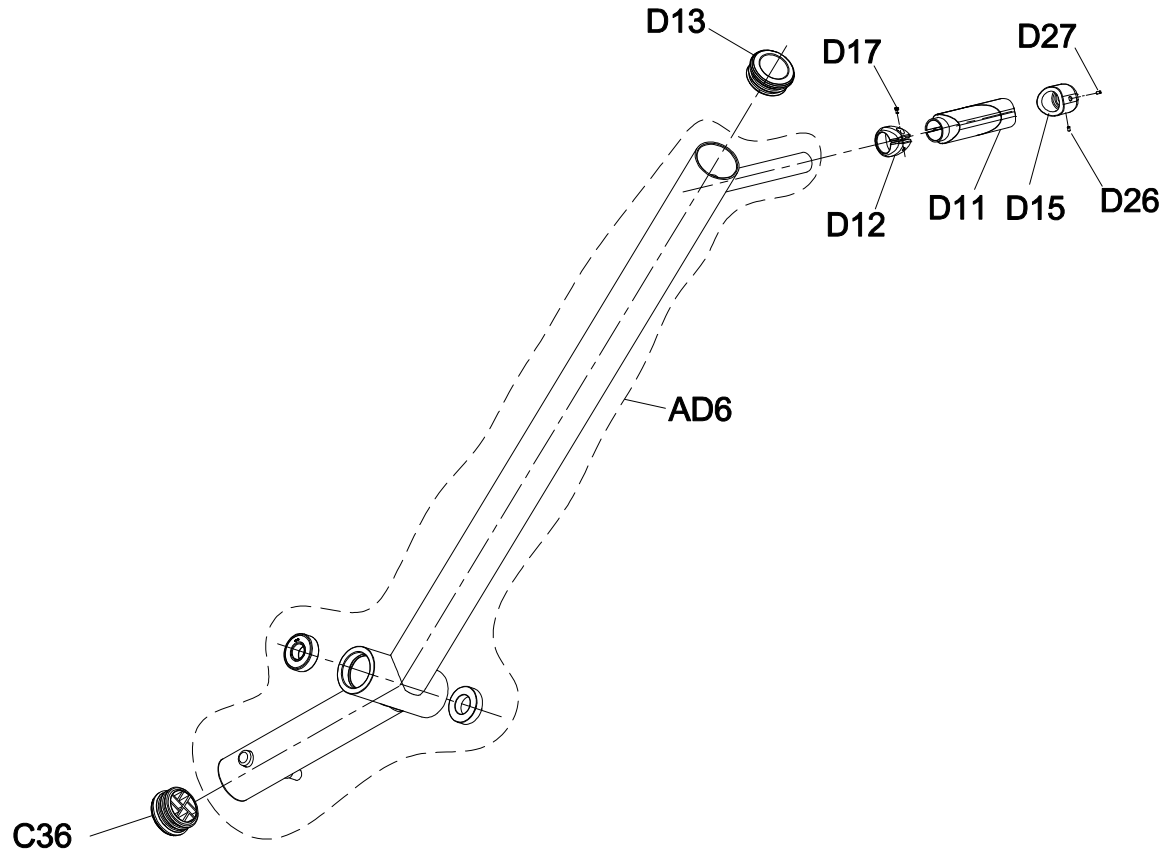


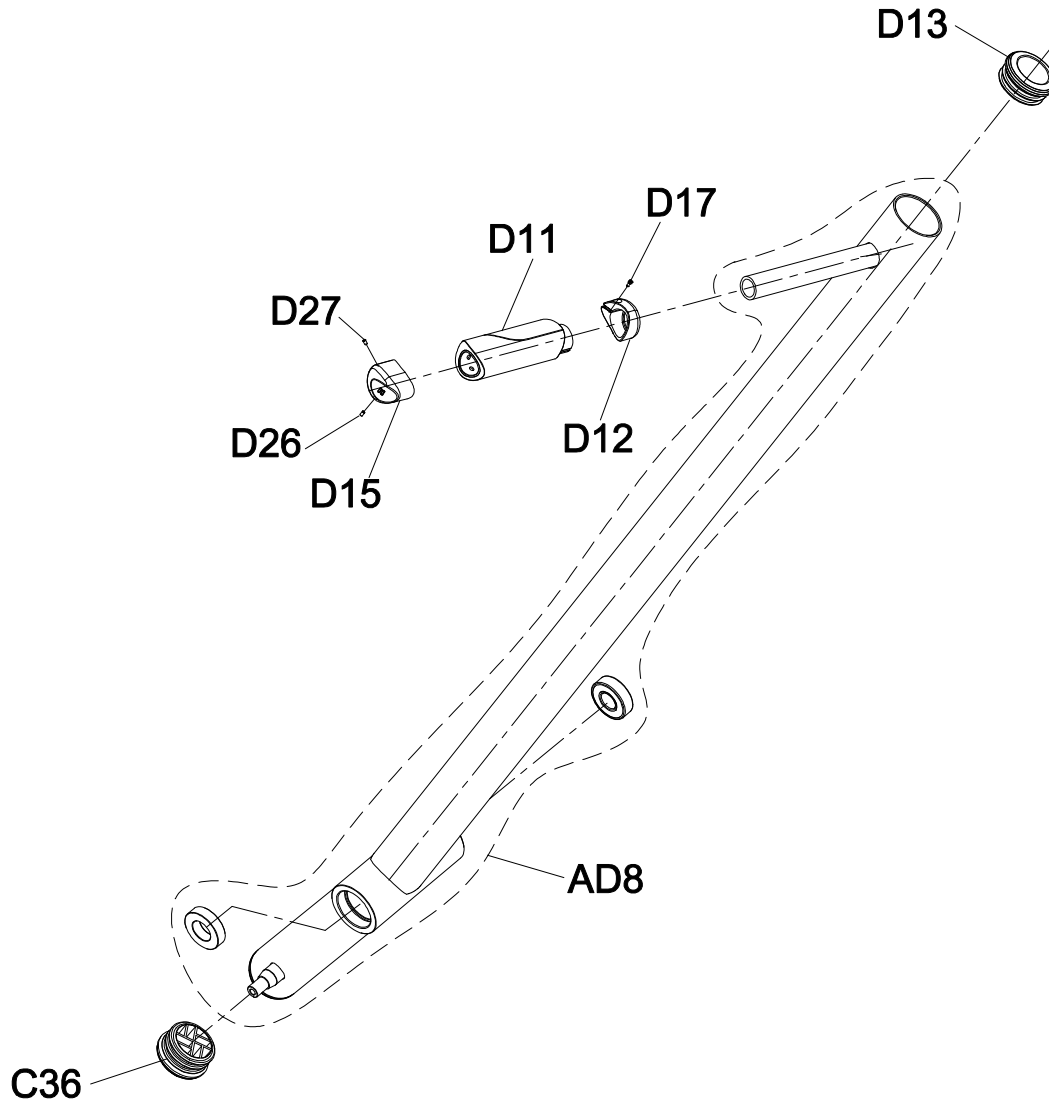
DRAWING NO	GM111-AD06		
PART NAME	Pedal Arm set;L		
PART NO	See Chart		REV A
APPROVE	SuYehua	DATE	2024.01.24

Part NO.	Color
1000415439	Iced Sliver
1000415441	Platinum
1000415442	Polarized Titanium
1000415444	Lace White
1000415445	Pearl White
1000415446	Mat Black
1000415447	Black Glossy
1000430642	White Tube
1000434214	O-PF Purple
1000439795	PF Yellow RAL1023
1000504208	Graphite Grey

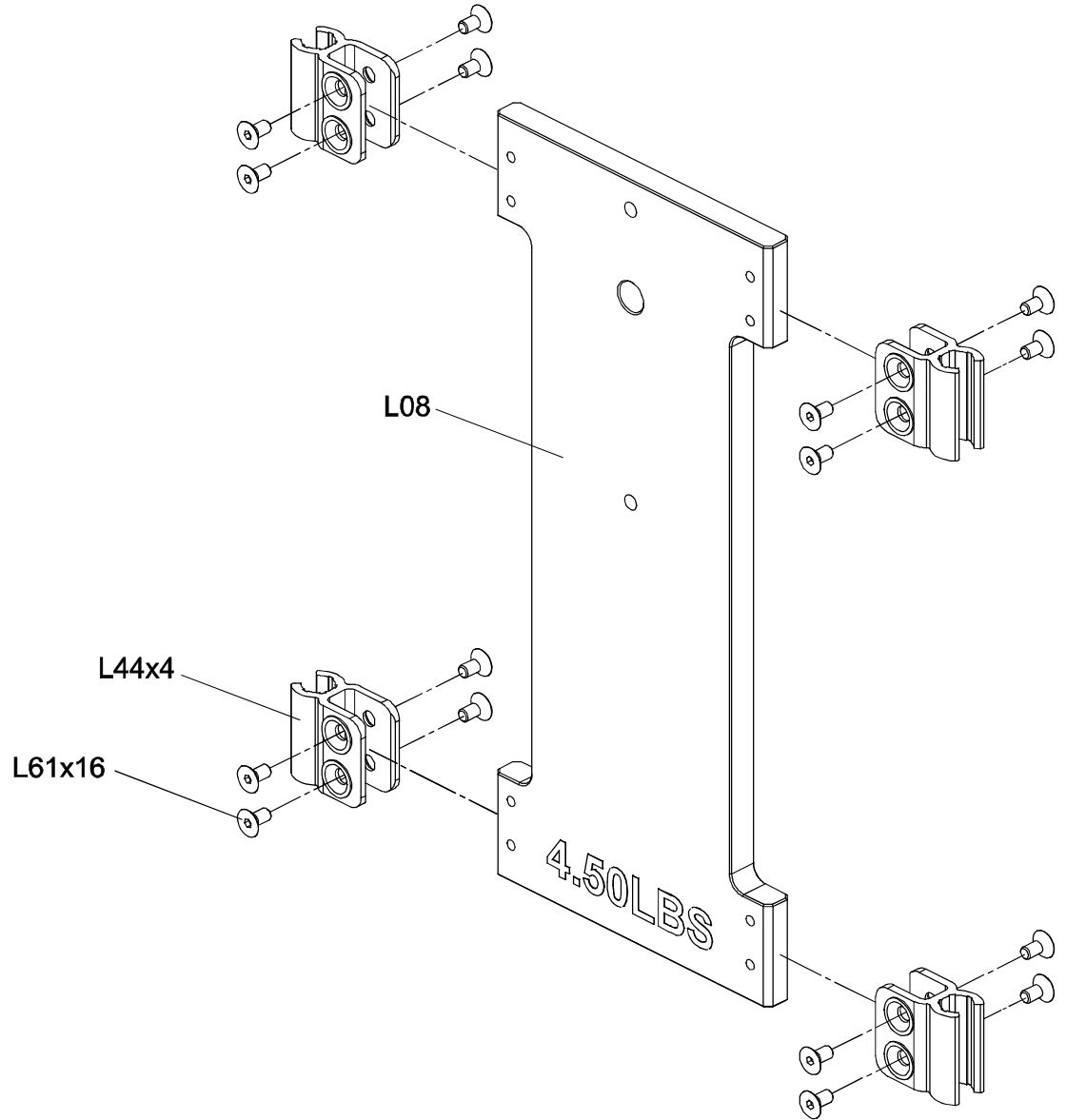


DRAWING NO	GM111-AD08		
PART NAME	Pedal Arm set;R		
PART NO	See Chart	A	
APPROVE	SuYehua	DATE	2024.01.24

Part NO.	Color
1000415448	Iced Sliver
1000415450	Platinum
1000415451	Polarized Titanium
1000415452	Lace White
1000415453	Pearl White
1000415454	Mat Black
1000415455	Black Glossy
1000430643	White Tube
1000434217	O-PF Purple
1000439796	PF Yellow RAL1023
1000504209	Graphite Grey



DRAWING NO	GM111F-SF01		
PART NAME	Incremental Weight Plate Set		
PART NO	1000504481	REV	A
APPROVE	Zhaolin	DATE	2024.02.01



DRAWING NO	GM111F-SF02		
PART NAME	Incremental Weight Plate Set		
PART NO	1000504482	REV	A
APPROVE	Zhaolin	DATE	2024.02.01

