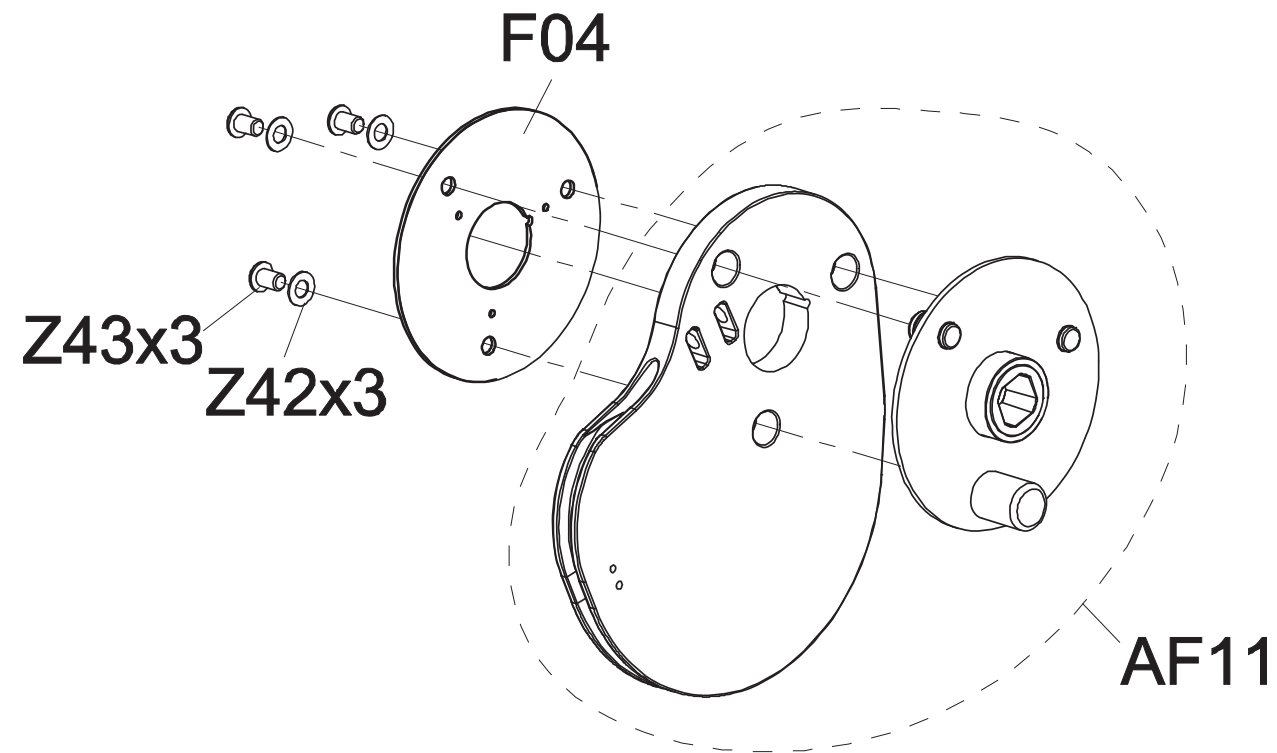

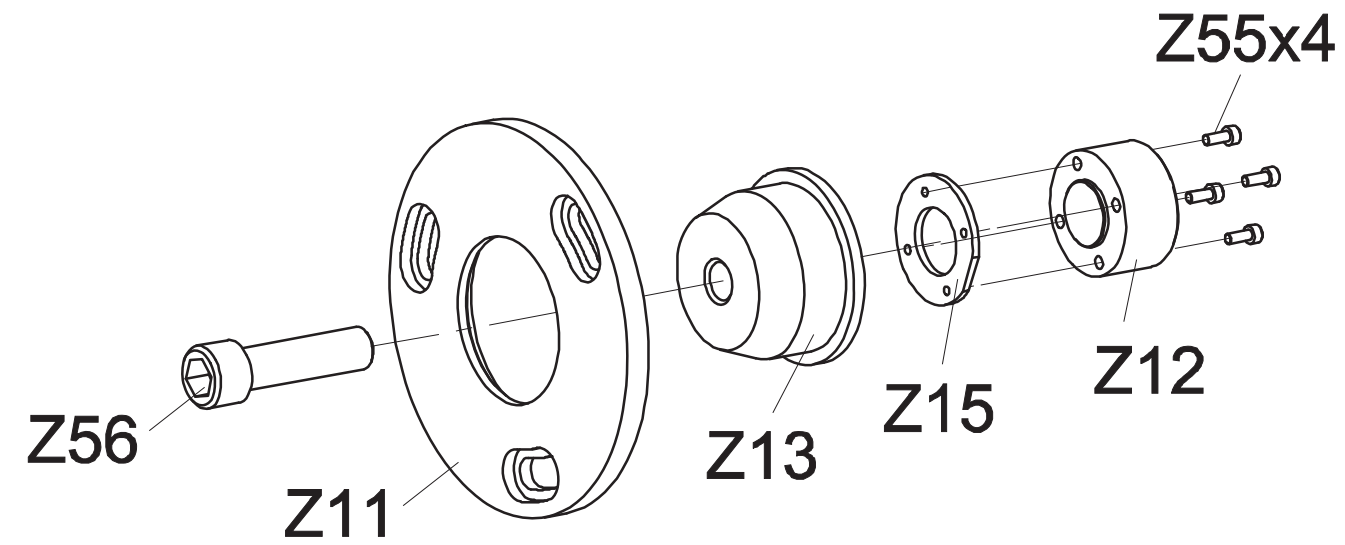


| | | | |
|------------|-----------------------------|------|------------|
| DRAWING NO | GM113-SF03 | | |
| PART NAME | Cam Fixing Set : Assembling | | |
| PART NO | See Chart | REV | A |
| APPROVE | ZERO | DATE | 04.22.2019 |

| Part NO. | Color |
|------------|----------------------|
| 1000413479 | Iced Sliver |
| 1000413498 | Platinum |
| 1000413500 | Polarized Titanium |
| 1000413502 | Lace White |
| 1000413524 | Pearl White |
| 1000413531 | Mat Black |
| 1000413559 | Black Glossy |
| 1000427297 | PF Purple;RAL4008 |
| 1000440495 | PF YELLOW RAL1023 |



| | | | |
|------------|--|---|------------|
| DRAWING NO | GM113-SF04 | | |
| PART NAME | Disassembly connect set;CAM ;Assembling | | |
| PART NO | 1000420787 |  | A |
| APPROVE | ALEX | DATE | 06.25.2018 |



Notes:

Z11 and Z13, tight fit, must be equipped with hydraulic press.