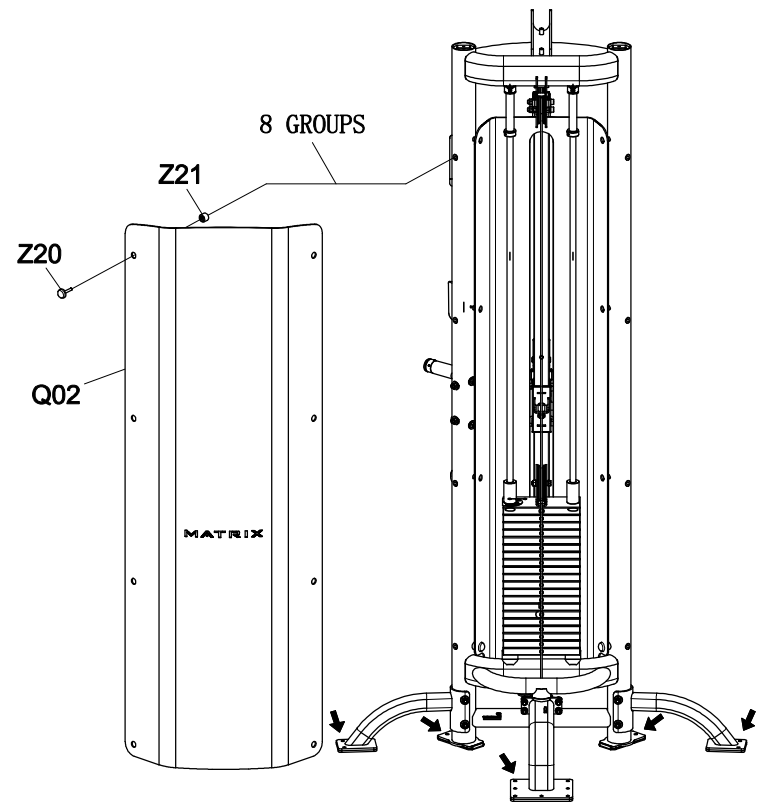
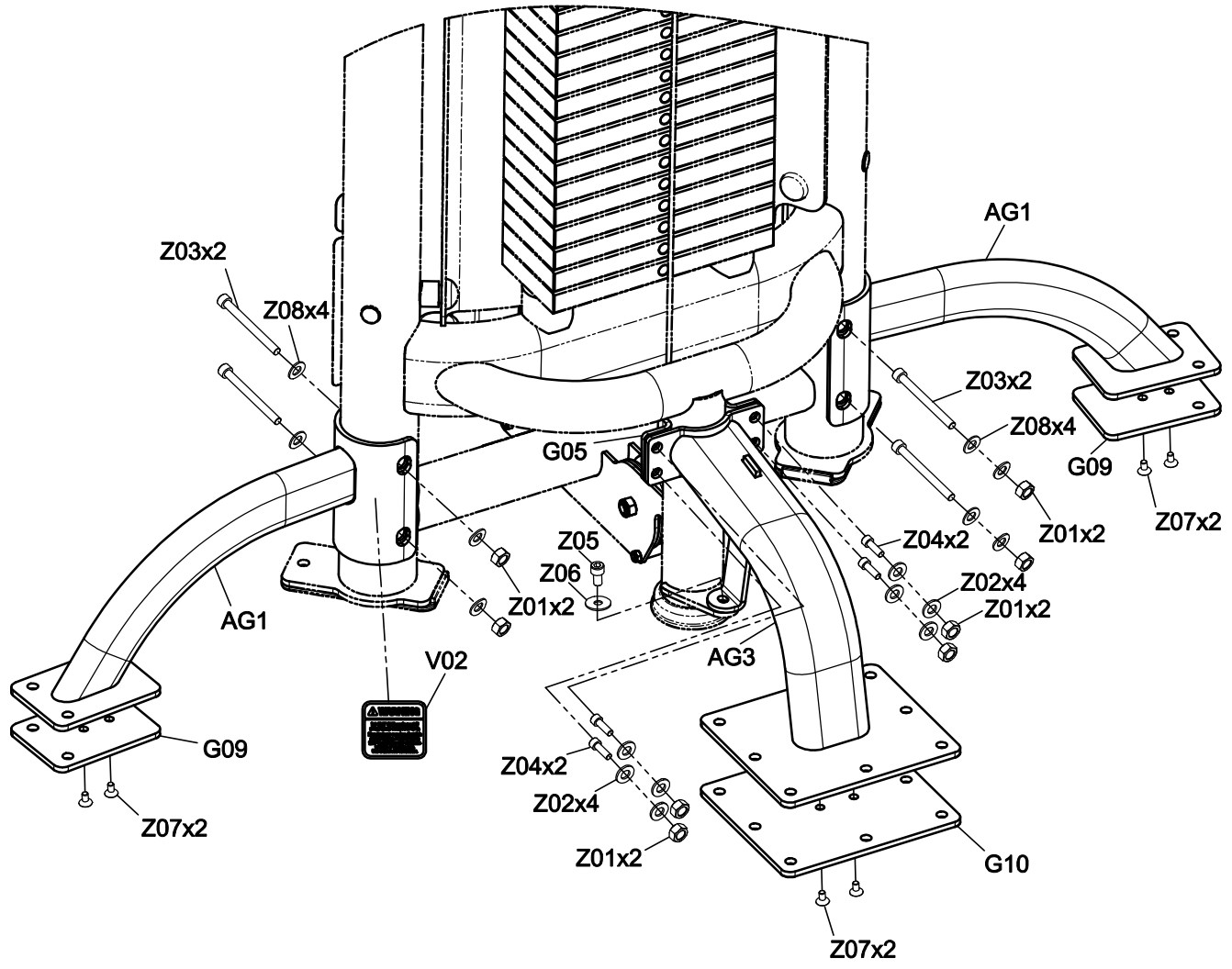
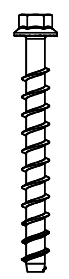


DRAWING NO	PAS2348-KM		
PART NAME	Explosive Diagram		
PART NO	MAS1210-00	REV	A
APPROVE	Chen Tuo	DATE	2025.03.17



INSTALL ALL THE 13 ANCHOR BOLTS!

ANCHOR BOLT



**1/4" x 3" (Item# THD25300H)
ZMS4018082
CUSTOMERS SELF-PROVIDED**