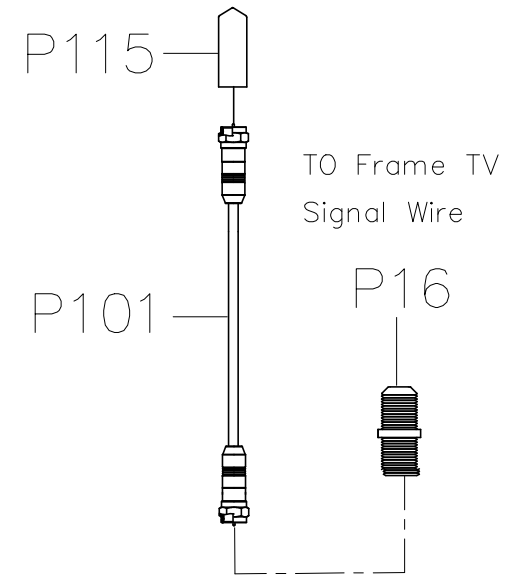
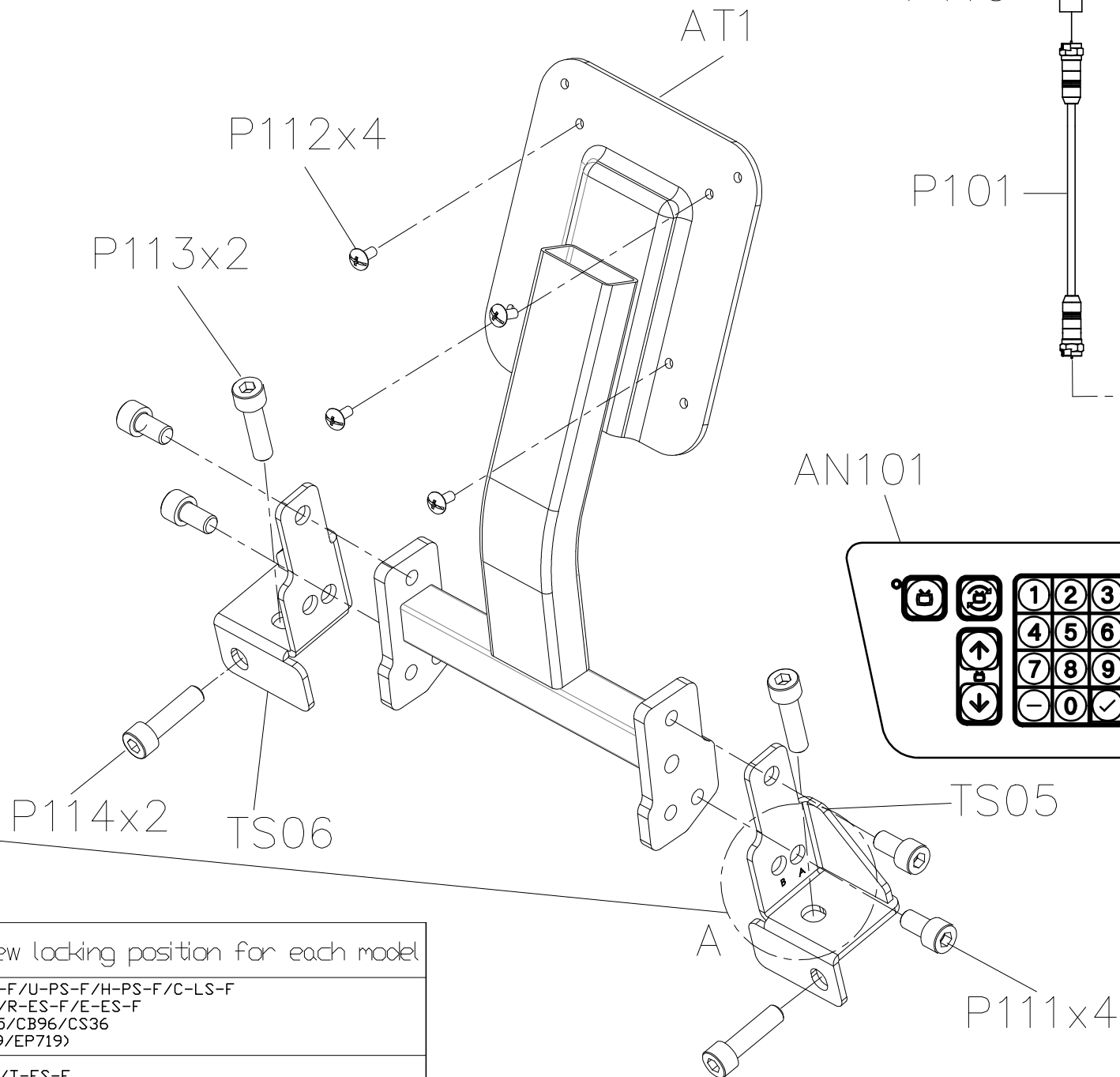
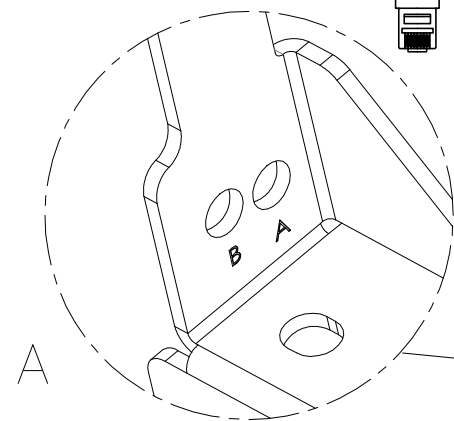
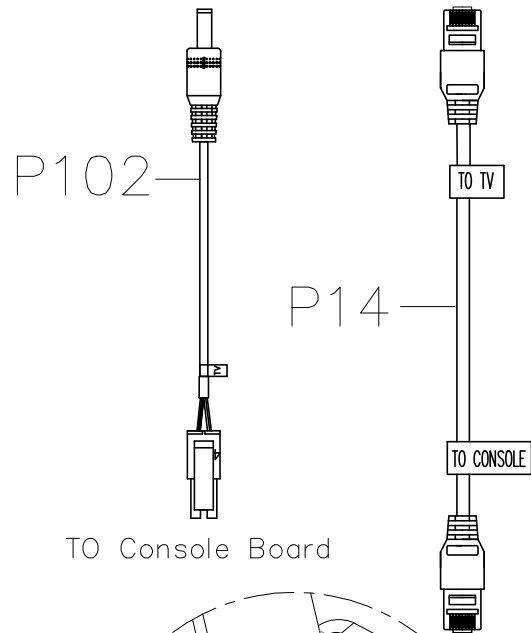
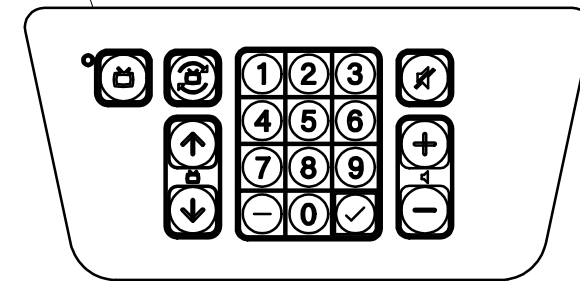


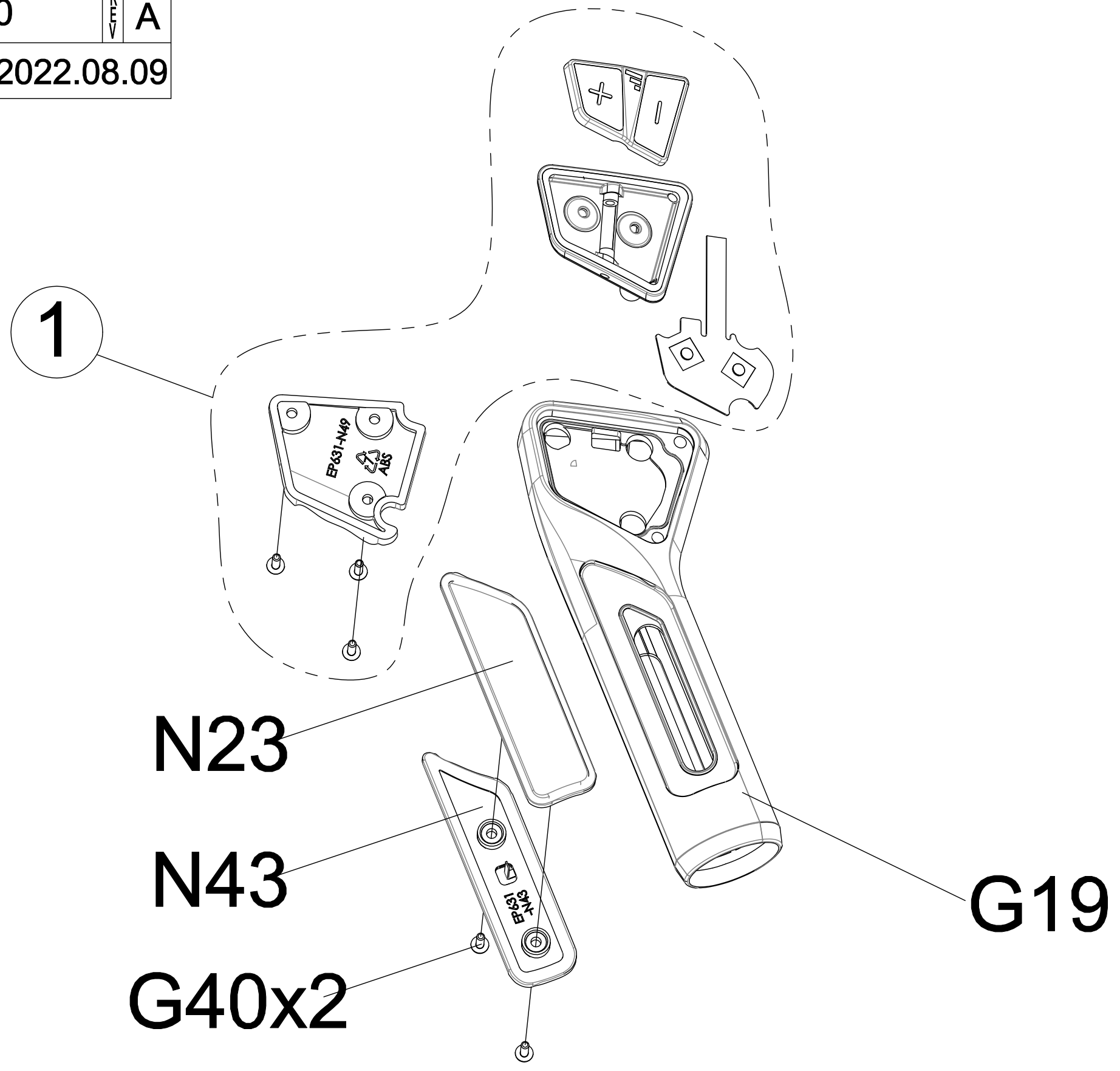
DRAWING NO	TM759K-AT11		
PART NAME	TV support frame group		
PART NO	1000510413	REV	A
APPROVE	Henry	DATE	042624



Hole	Description of P111 screw locking position for each model
A	A-PS-F/E-PS-F/ALB-PS-F/R-PS-F/U-PS-F/H-PS-F/C-LS-F U-LS-F/R-LS-F/E-LS-F/U-ES-F/R-ES-F/E-ES-F (EP630/EP629/EP631/RB317/CB95/CB96/CS36 CB207/RB210/EP721/CB206/RB209/EP719)
B	T-PS-F/T-PP-F/S-ES-F/T-LS-F/T-ES-F (TM538/TM543/CS33/TM759/TM747)



DRAWING NO	TM759-AG7		
PART NAME	Grip Set;Semi-Assy-L		
PART NO	1000450780	REV	A
APPROVE	SuYehua	DATE	2022.08.09



DRAWING NO	TM759-AG8		
PART NAME	Grip Set;Semi-Assy-R		
PART NO	1000450781	REV	A
APPROVE	SuYehua	DATE	2022.06.01

