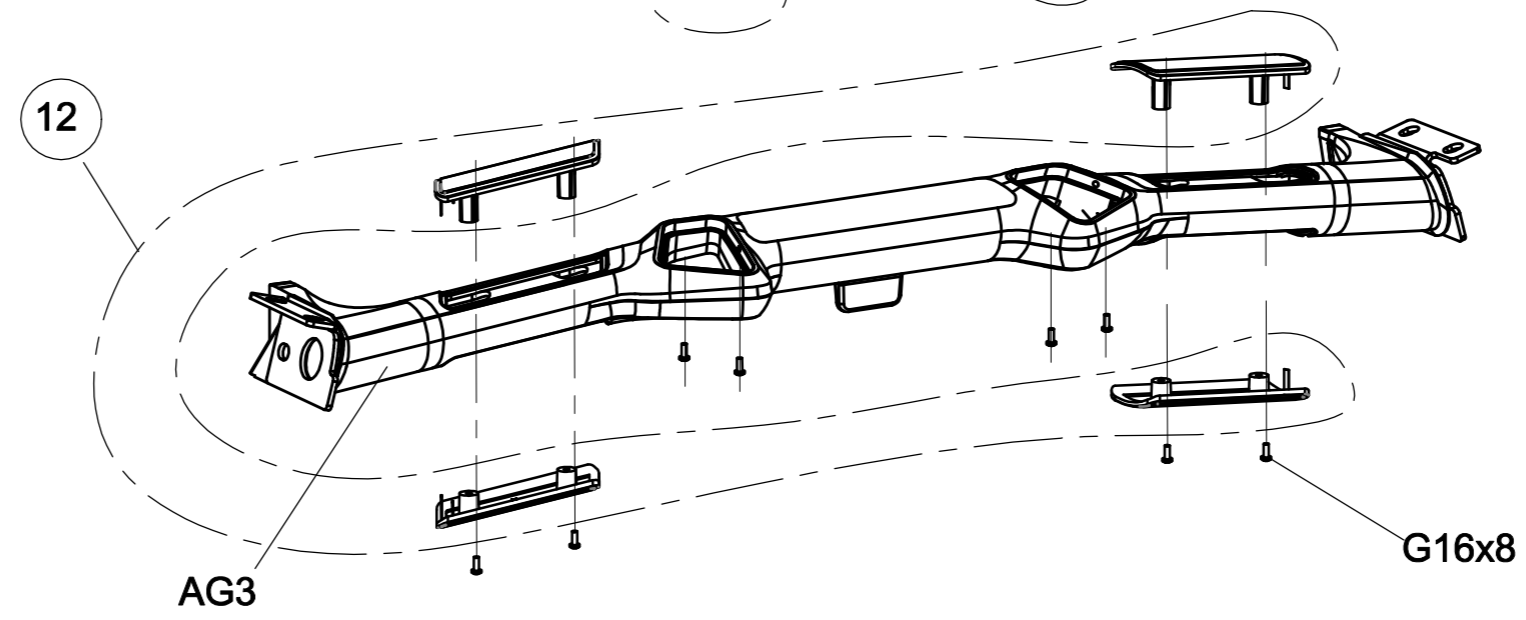
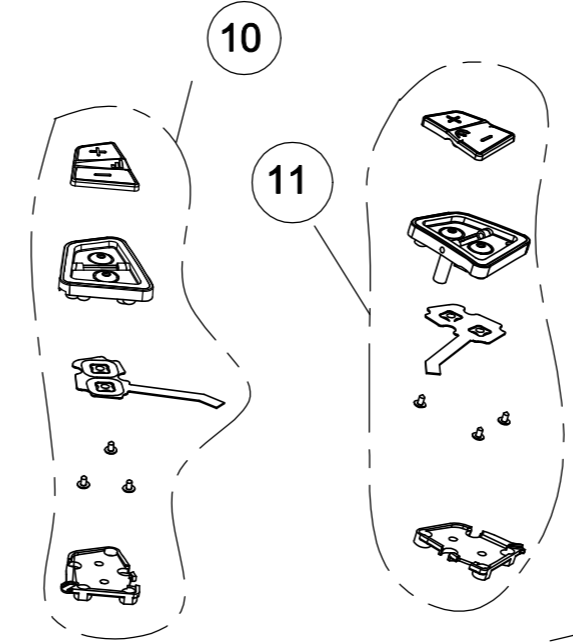
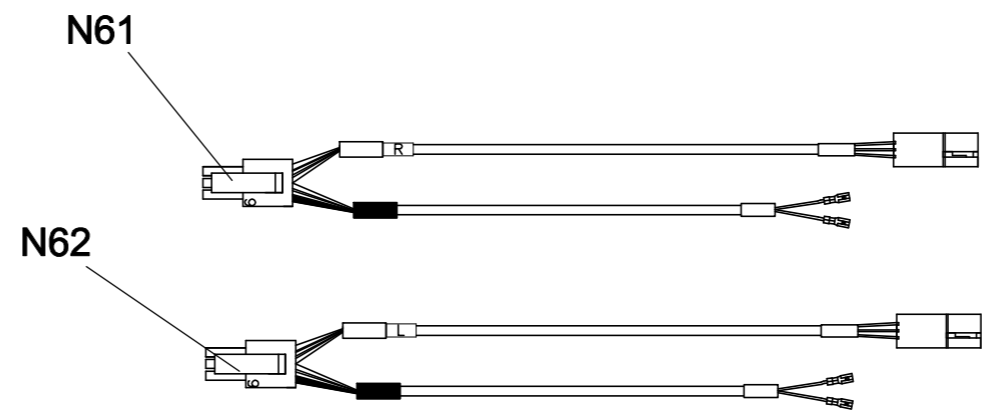
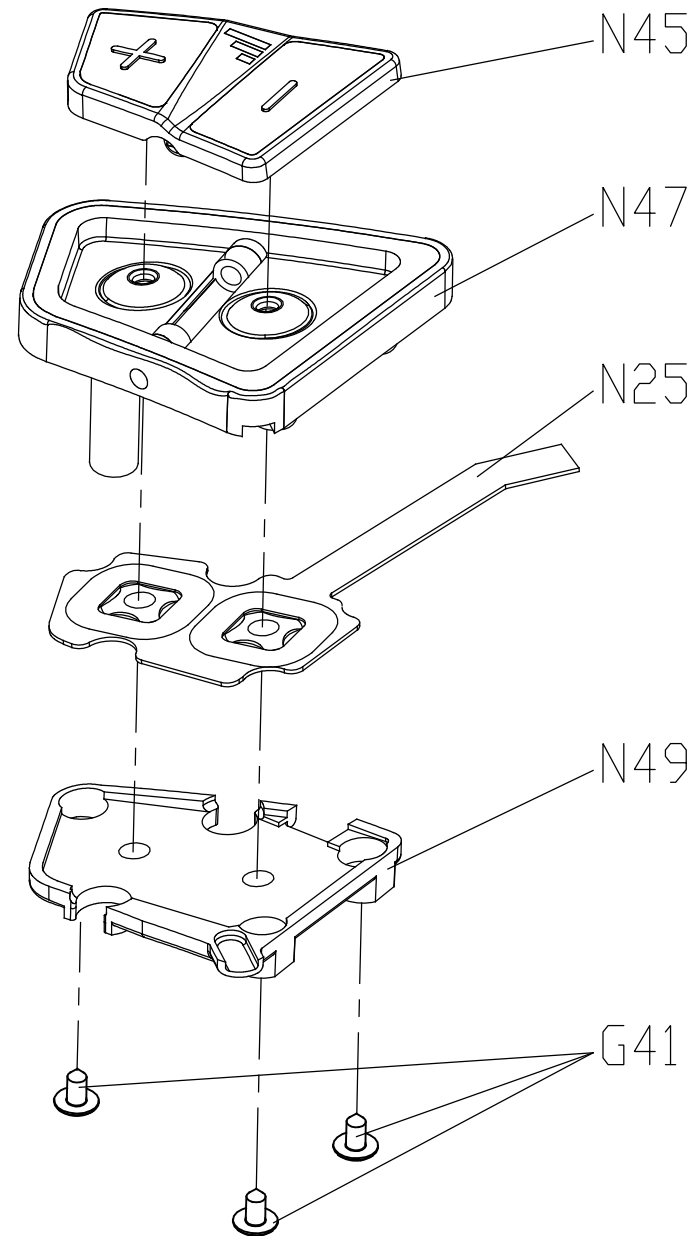



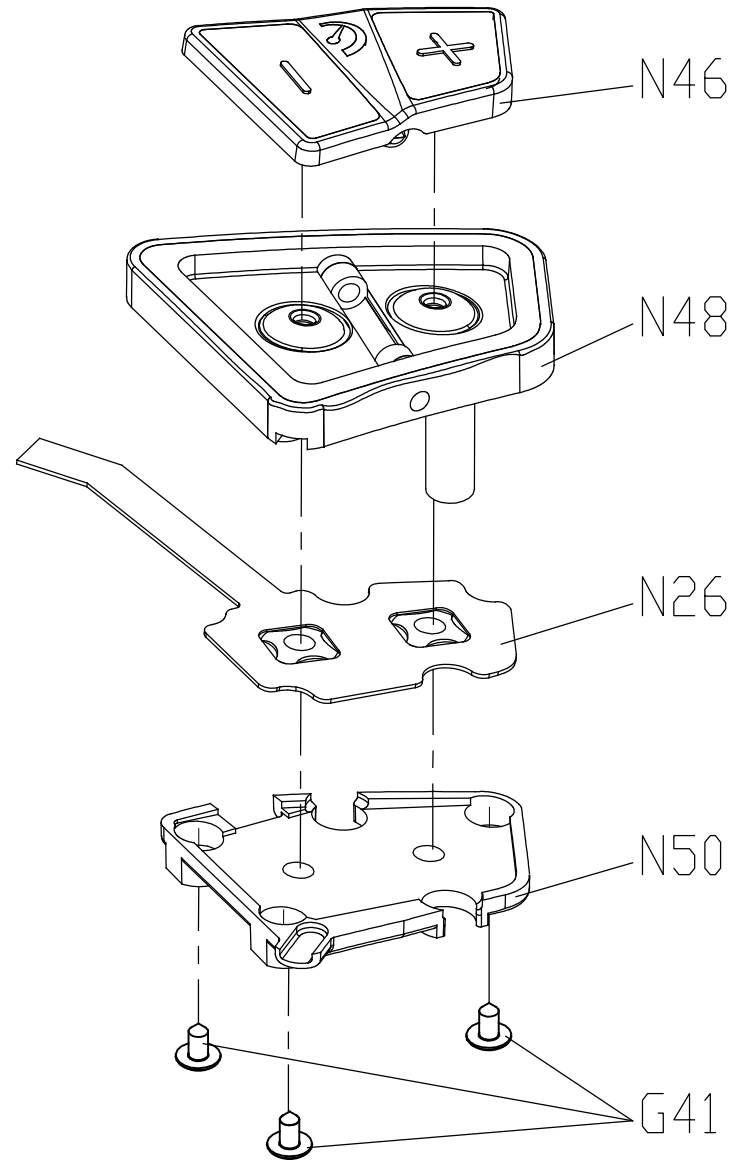
DRAWING NO	TM747K-A10		
PART NAME	Handlebar Set		
PART NO	1000514434	REV	A
APPROVE	Henry	DATE	2024.04.28



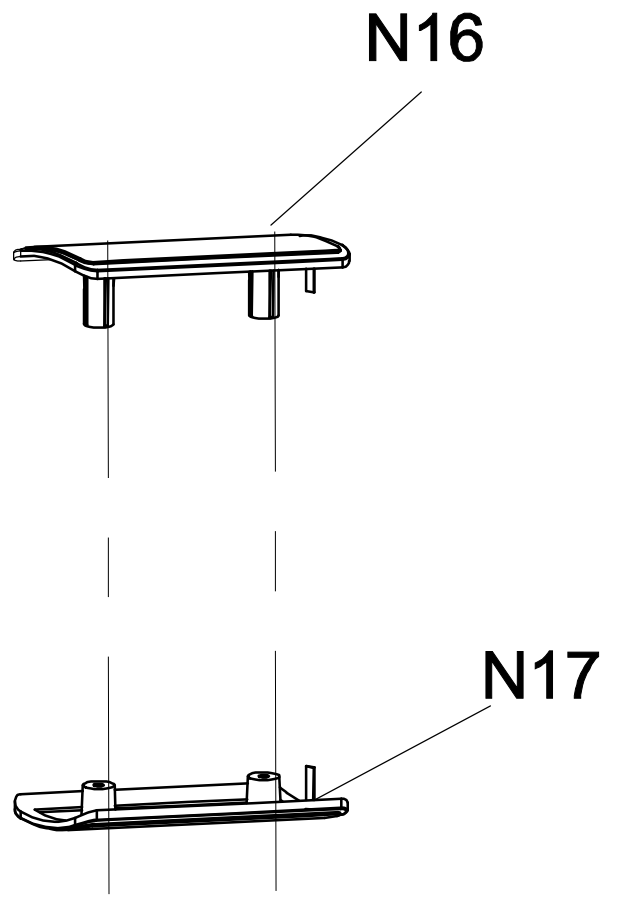
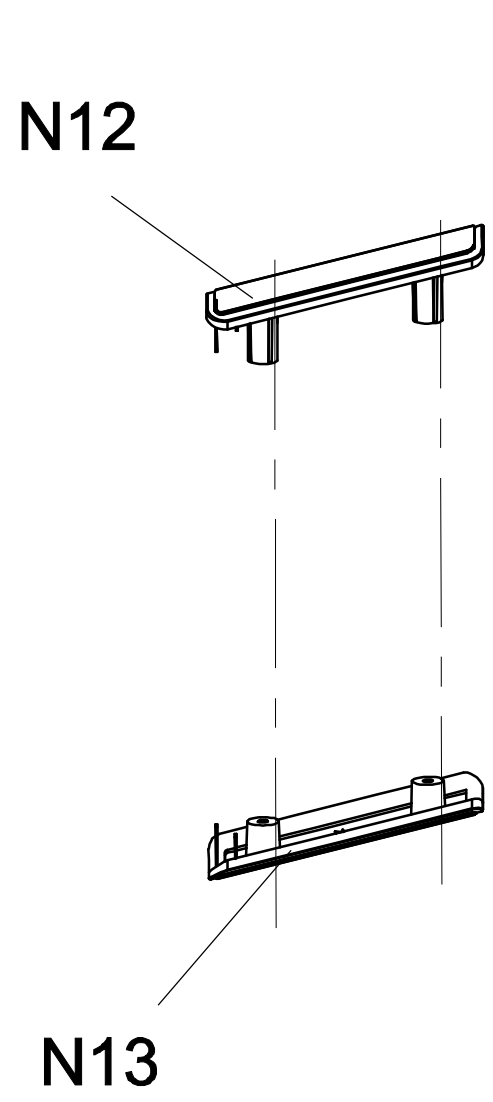
DRAWING NO	TM538-AG23		
PART NAME	Pulse Sensor Set;Quickly Key;left		
PART NO	1000437154	REV	B
APPROVE	Albert	DATE	062419



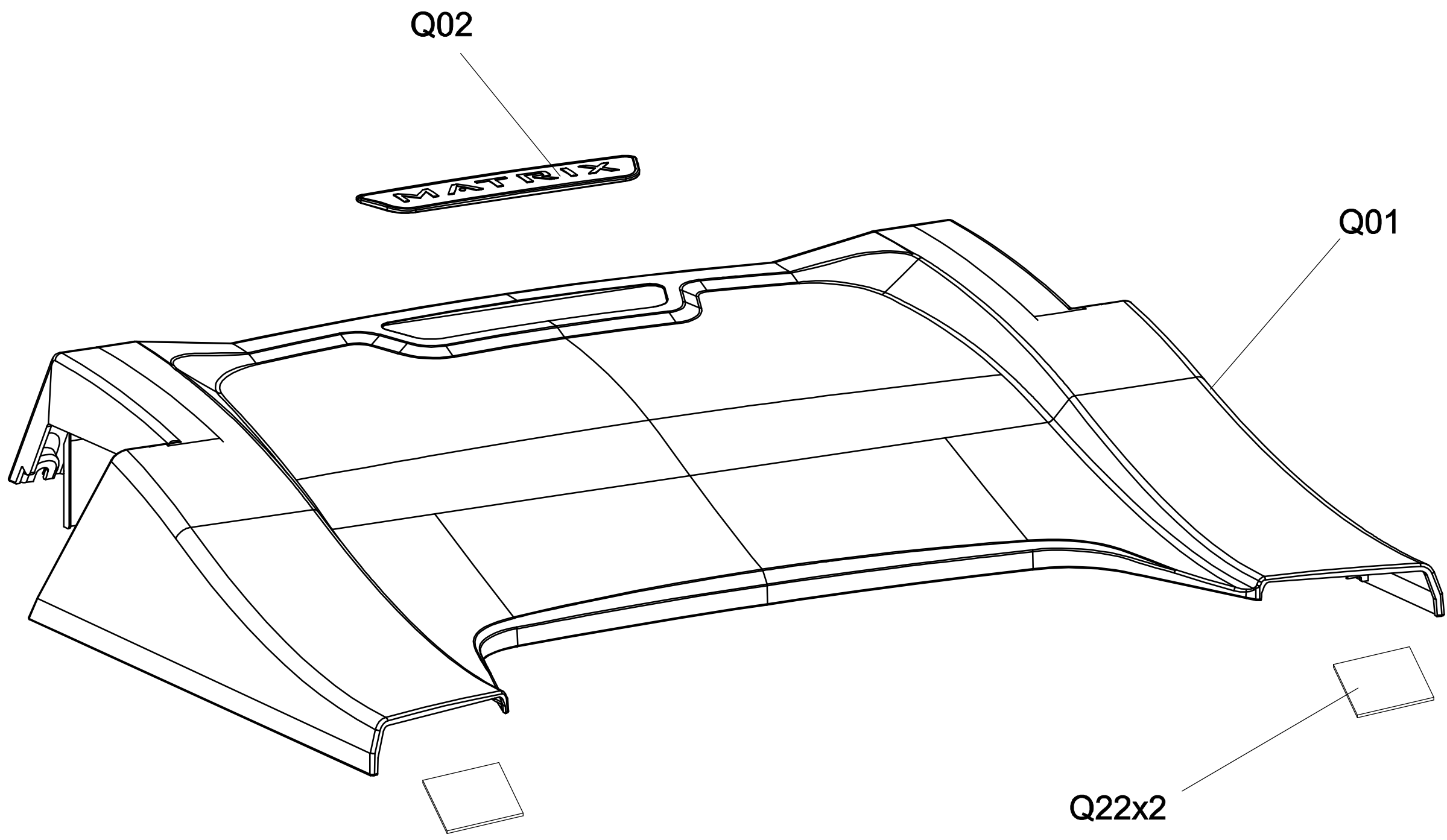
DRAWING NO	TM538-AG24		
PART NAME	Pulse Sensor Set;Quickly Key:right		
PART NO	1000437157  B		
APPROVE	Albert	DATE	062519



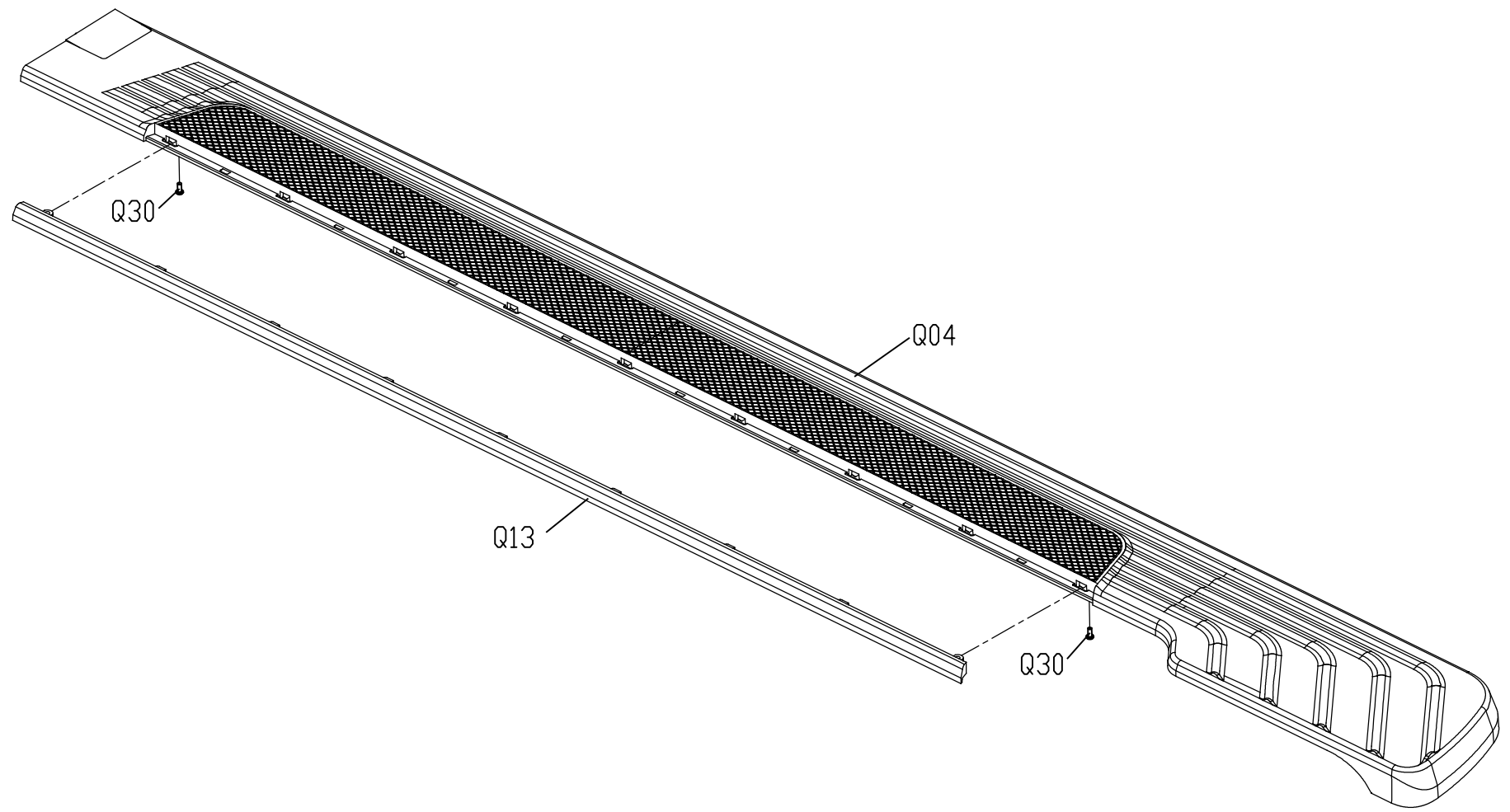
DRAWING NO	TM747-AN3		
PART NAME	Hand Pulse Set		
PART NO	1000455825	REV	A
APPROVE	James	DATE	2020.07.07




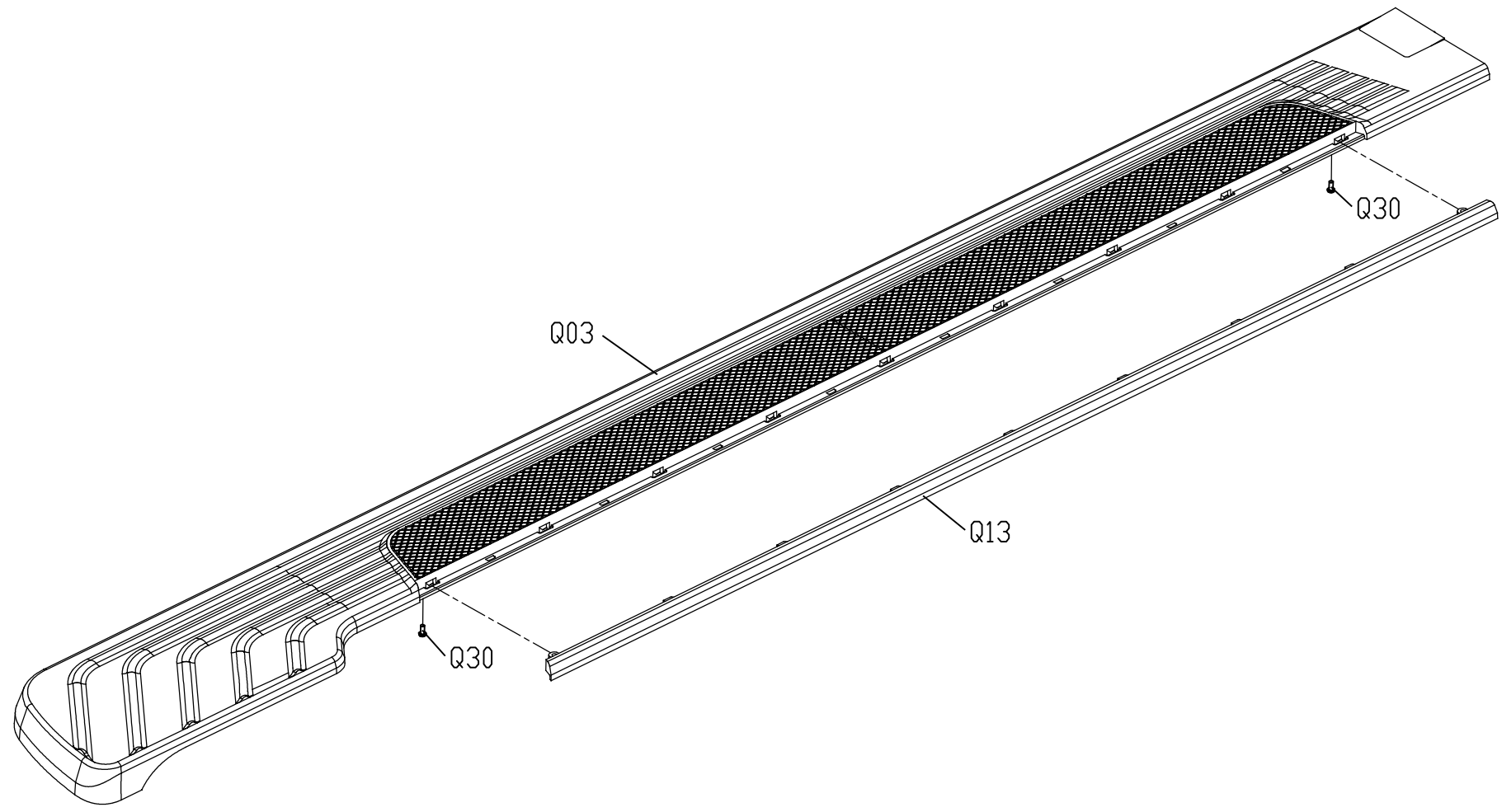
DRAWING NO	TM747-AQ1		
PART NAME	Motor Cover Set		
PART NO	1000434095	REV	A
APPROVE	James	DATE	2019.11.11



DRAWING NO	TM538-AQ4		
PART NAME	Side Rail Set;;right		
PART NO	1000433956		
APPROVE	Albert	DATE	062619



DRAWING NO	TM538-AQ3		
PART NAME	Side Rail Set;;left		
PART NO	1000433959  B		
APPROVE	Albert	DATE	062619



DRAWING NO	TM747-AN15		
PART NAME	Safety Key Set;;;;;TM747		
PART NO	1000446646	REV	A
APPROVE	James	DATE	2019.11.11

