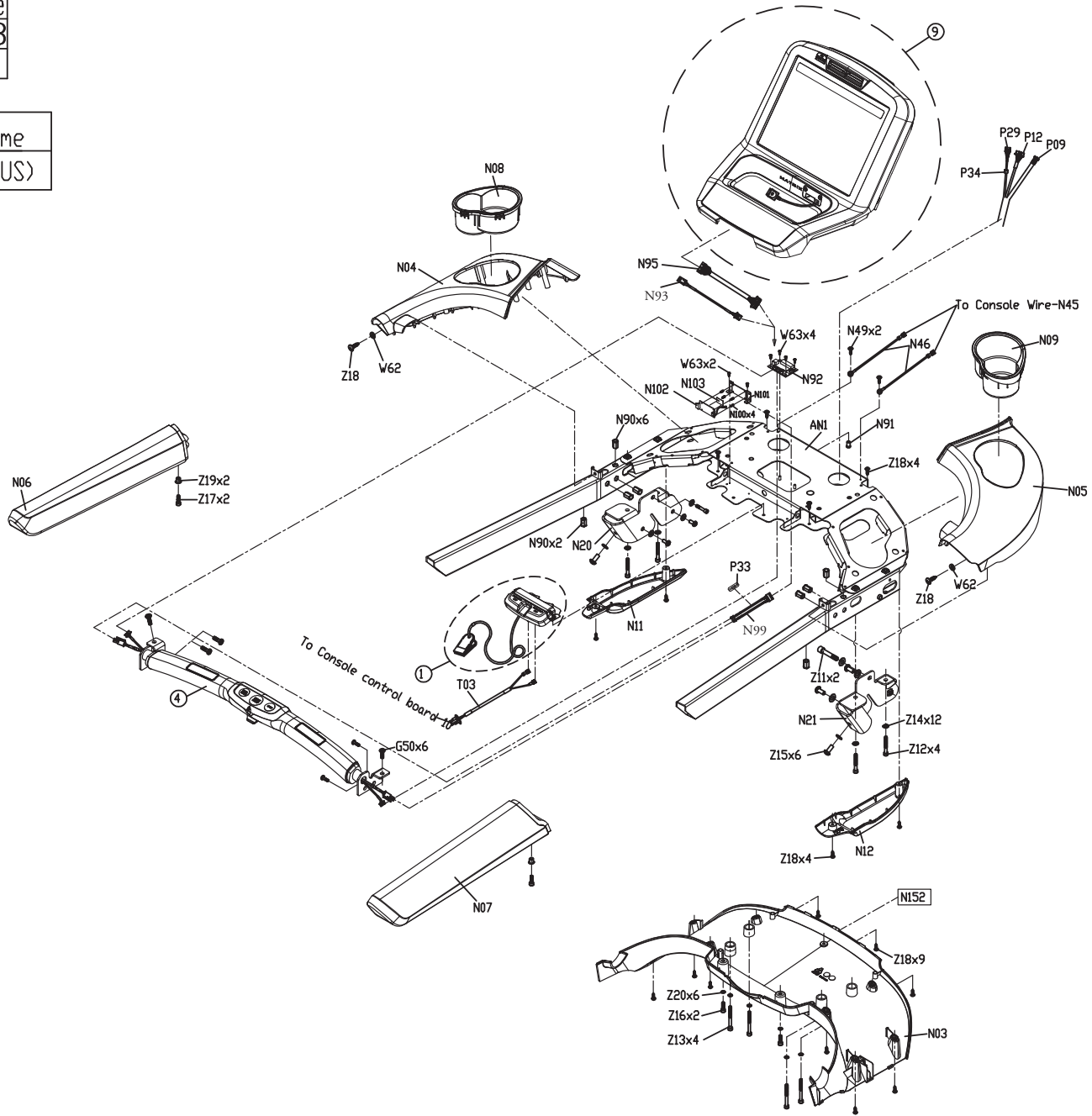
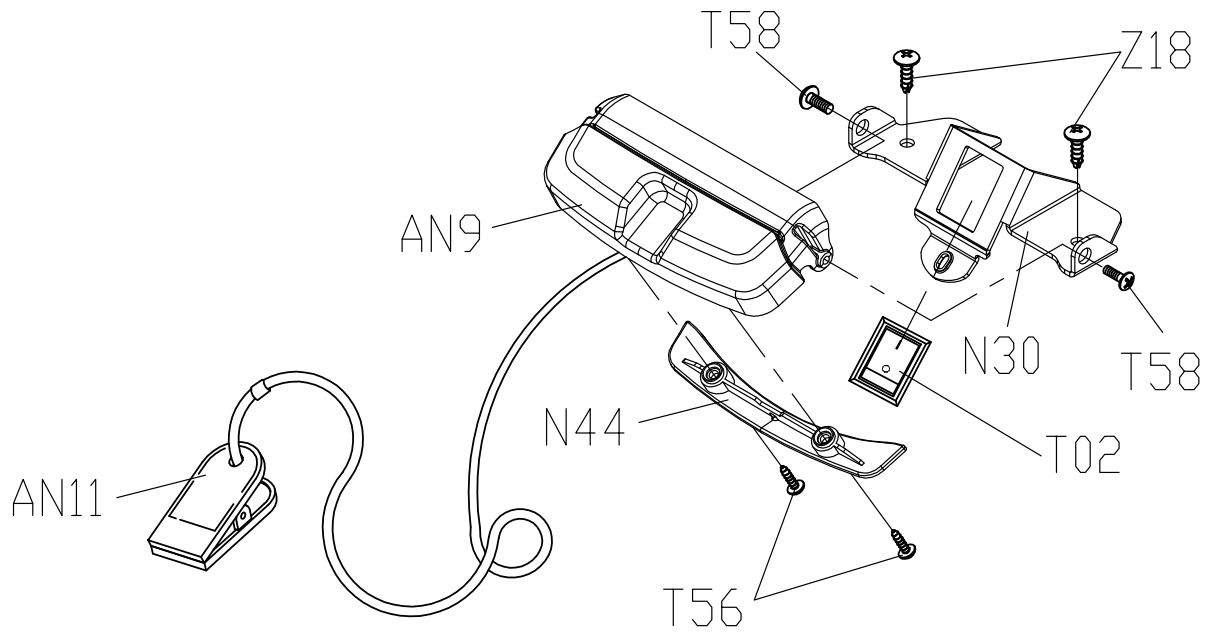


DRAWING NO	TM501D-A04		
PART NAME	Explosive Rendering Console		
PART NO	1000211240		
APPROVE	SHUYI	DATE	020911

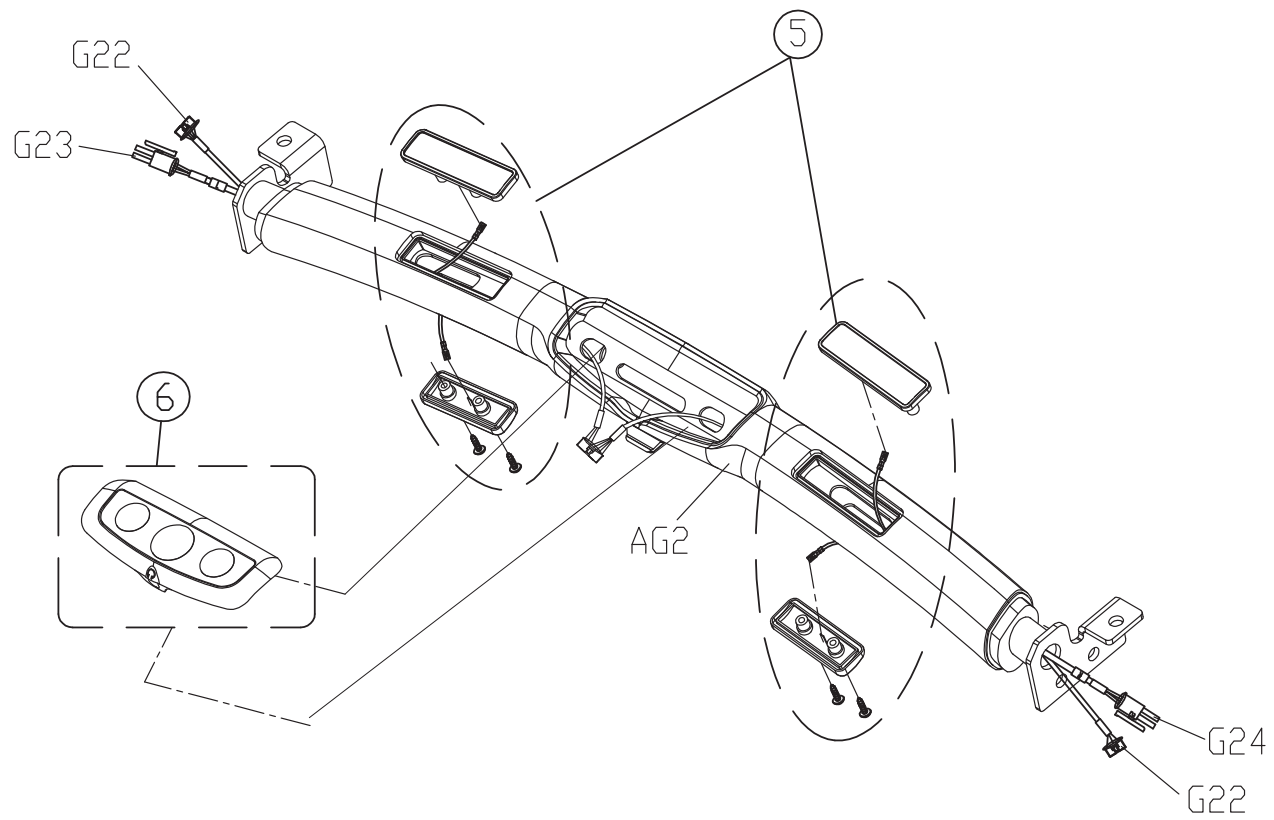
SAP NO.	Model Name
MTM0211-00	T5x-05-C(1US)



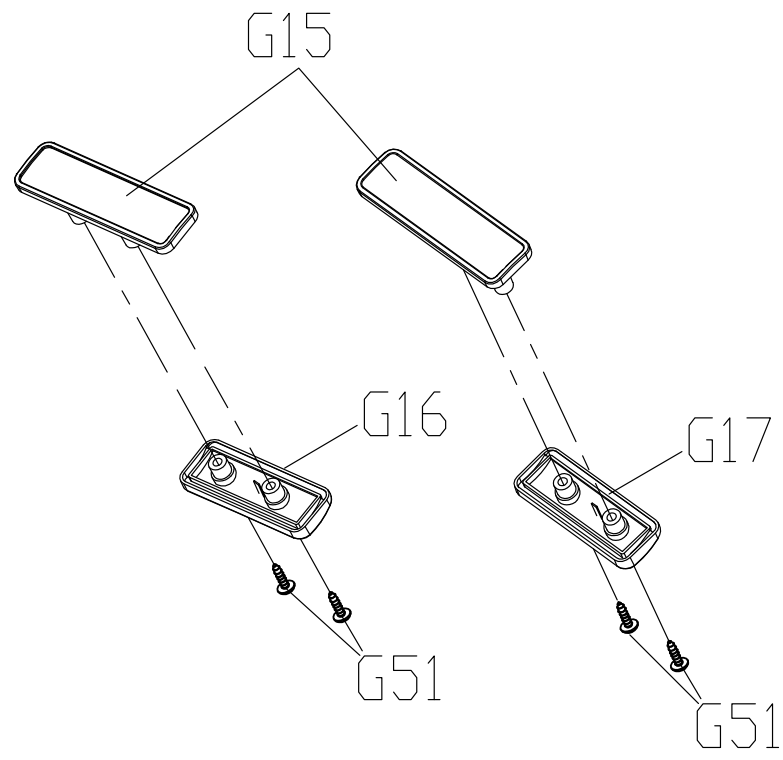
DRAWING NO 圖號	TM501-AT5
PART NAME(CH) 零件名稱(中文)	安全開關組
PART NAME(EN) 零件名稱(英文)	Safety Key Set
SAP PART NO SAP料號	0000088982



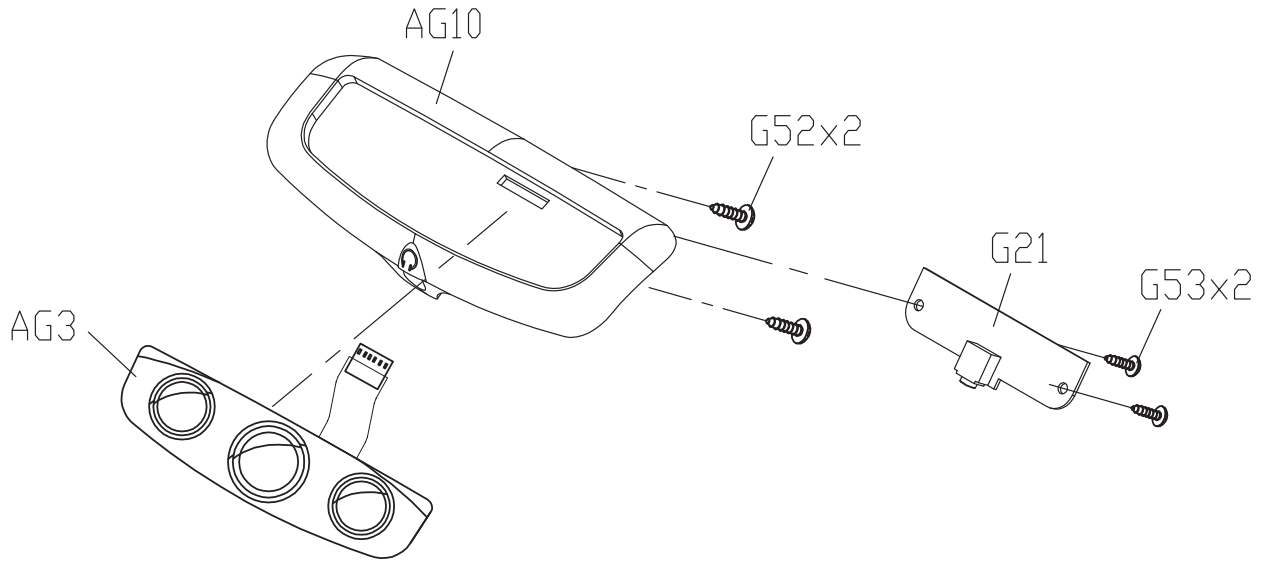
DRAWING NO	TM501-AG21		
PART NAME	Handlebar Set		
PART NO	REV C		
APPROVE	SHUYI	DATE	020911



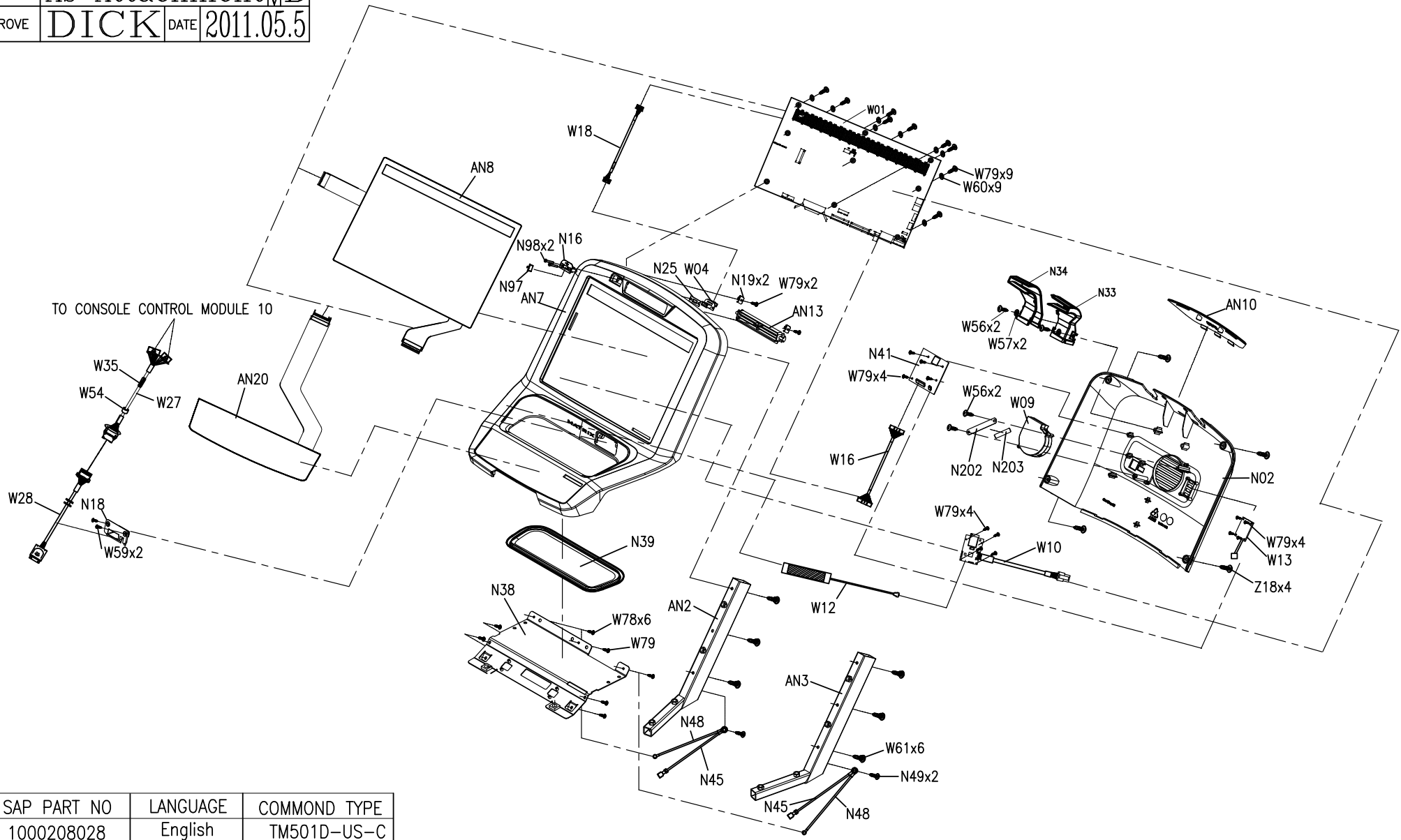
DRAWING NO 圖號	TM501-AG15
PART NAME(CH) 零件名稱(中文)	感應器護蓋組
PART NAME(EN) 零件名稱(英文)	Sensor Cover Set
SAP PART NO SAP料號	0000088986 A



DRAWING NO	TM501-AG12		
PART NAME	Quick Start Overlay Set		
PART NO	As Attachment C		
APPROVE	SHUYI	DATE	020911



DRAWING NO	TM501D-AN6	
PART NAME	Console Set	
PART NO	As Attachment 	
APPROVE	DICK	DATE 2011.05.5



SAP PART NO	LANGUAGE	COMMOND TYPE
1000208028	English	TM501D-US-C