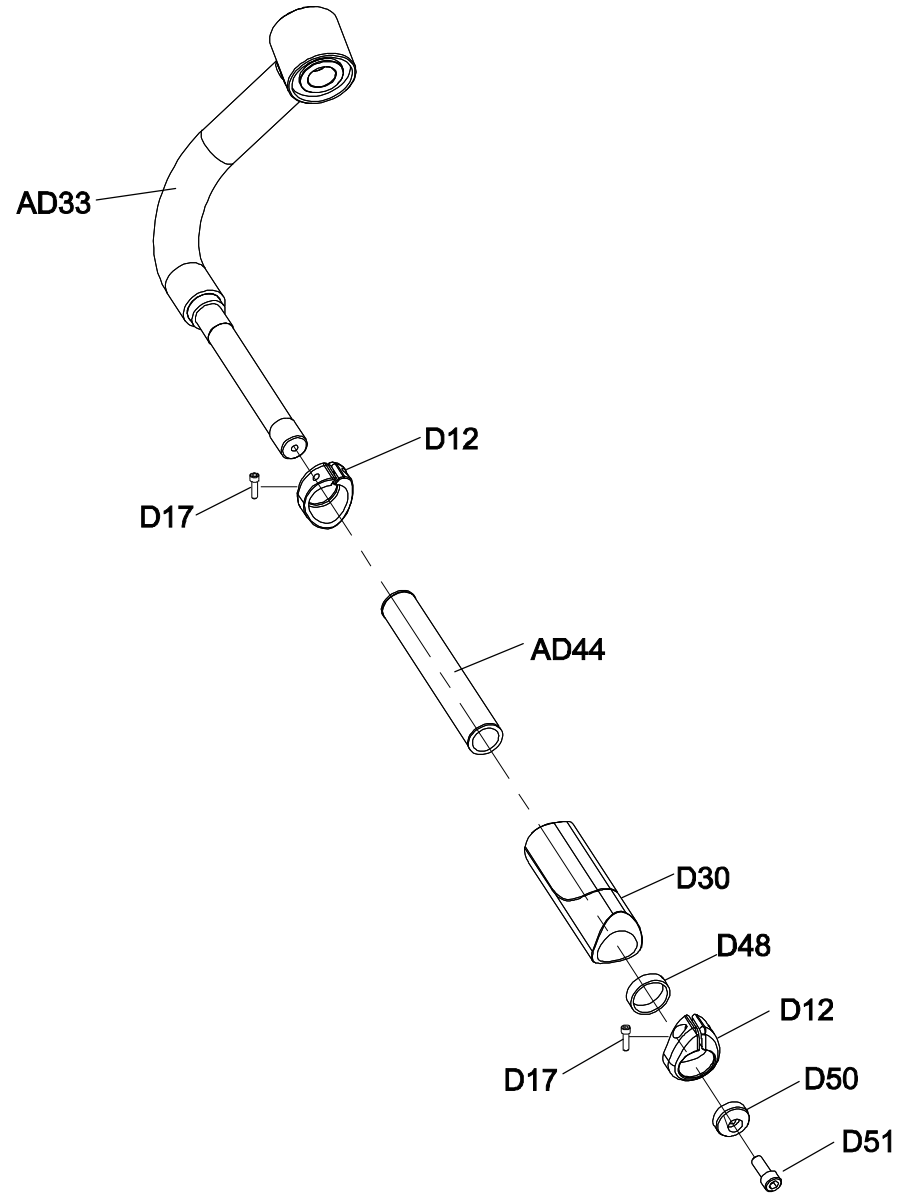


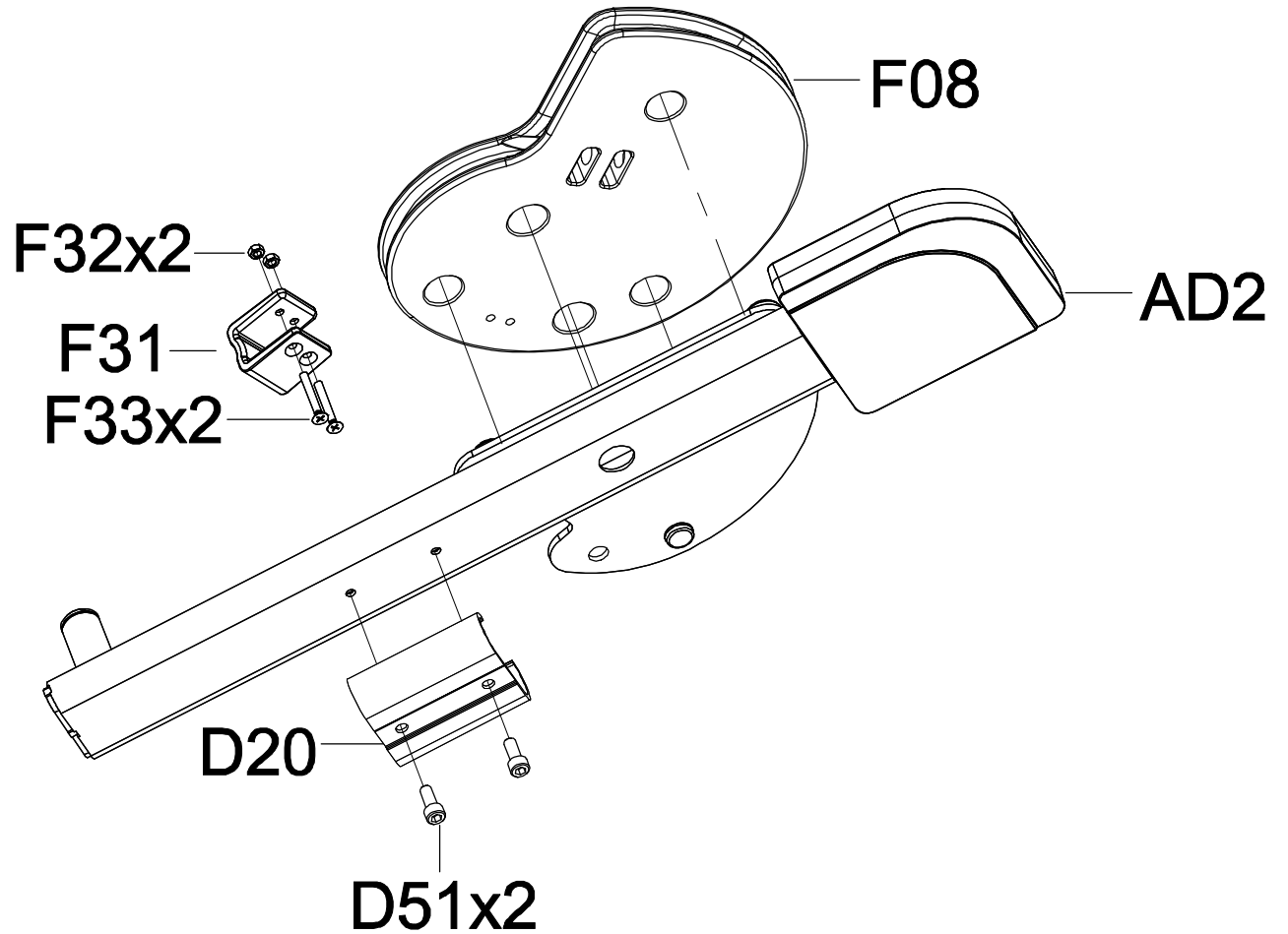
DRAWING NO	GM122-A12		
PART NAME	Peadal Arm Grip Set;Semi-Assy		
PART NO	See Chart	A	A
APPROVE	XuGang		

Part NO.	Color
1000420194	Iced Sliver
1000420198	Platinum
1000420199	Polarized Titanium
1000420202	Lace White
1000420203	Pearl White
1000420204	Mat Black
1000420205	Black Glossy
1000430439	Clear Coat
1000510180	Graphite Grey



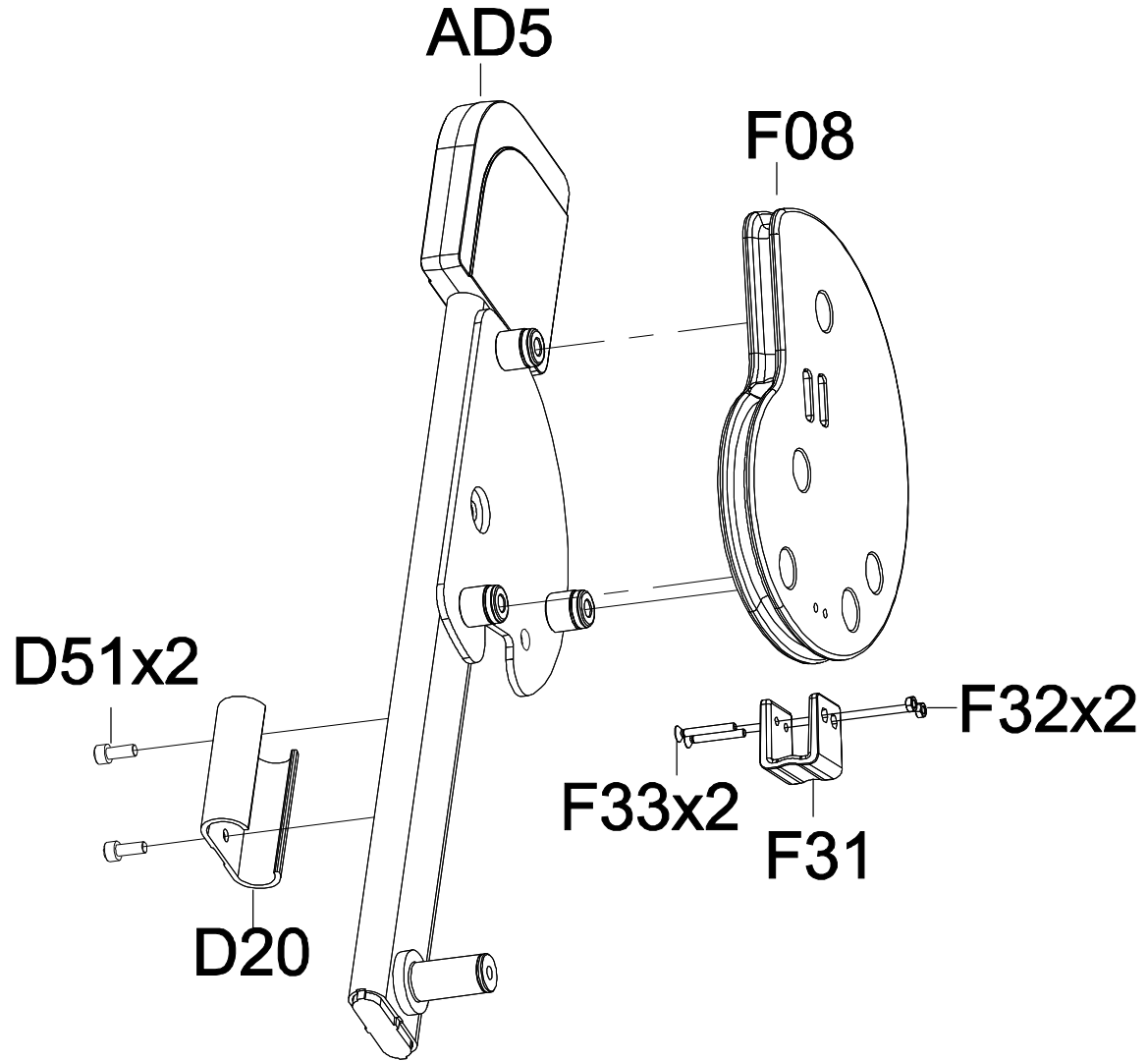
DRAWING NO	GM122-A11		
PART NAME	Pedal Arm set;Semi-Assy;left		
PART NO	See Chart	REV	A
APPROVE	XuGang	DATE	04.10.2024

Part NO.	Color
1000420180	Iced Sliver
1000420181	Platinum
1000420182	Polarized Titanium
1000420183	Lace White
1000420184	Pearl White
1000420185	Mat Black
1000420186	Black Glossy
1000430436	Clear Coat
1000458315	Graphite Grey

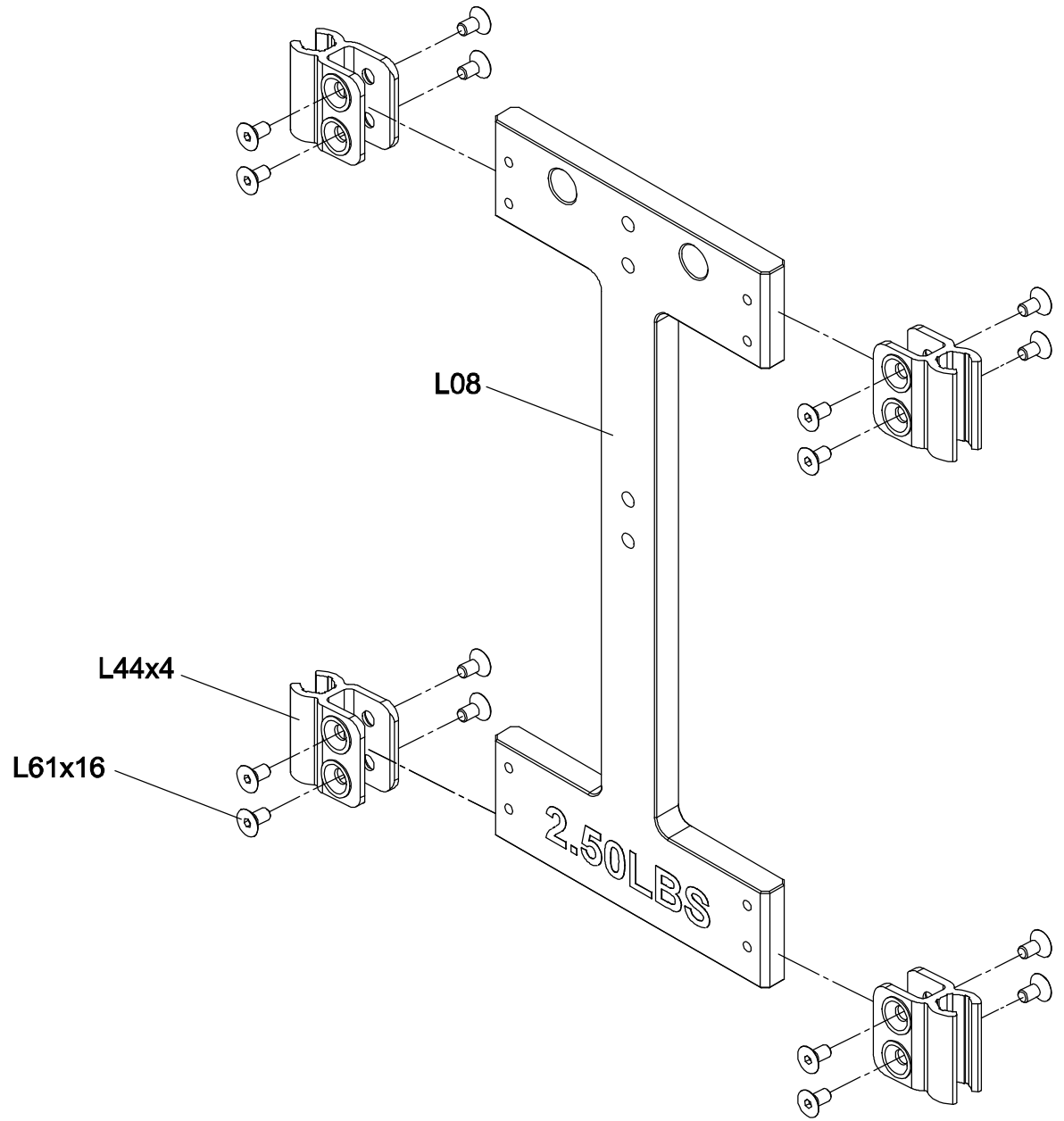


DRAWING NO	GM122-A10		
PART NAME	Pedal Arm set;Semi-Assy;right		
PART NO	See Chart	REV	A
APPROVE	XuGang	DATE	04.10.2024

Part NO.	Color
1000420166	Iced Sliver
1000420167	Platinum
1000420168	Polarized Titanium
1000420169	Lace White
1000420170	Pearl White
1000420171	Mat Black
1000420172	Black Glossy
1000430434	Clear Coat
1000458313	Graphite Grey



DRAWING NO	GM121F-AL2		
PART NAME	Incremental Weight Plate Set		
PART NO	1000504336	REV	A
APPROVE	Xugang	DATE	2024.01.23



DRAWING NO	GM121F-AL3		
PART NAME	Incremental Weight Plate Set		
PART NO	1000504347	REV	A
APPROVE	Xugang	DATE	2024.01.23

