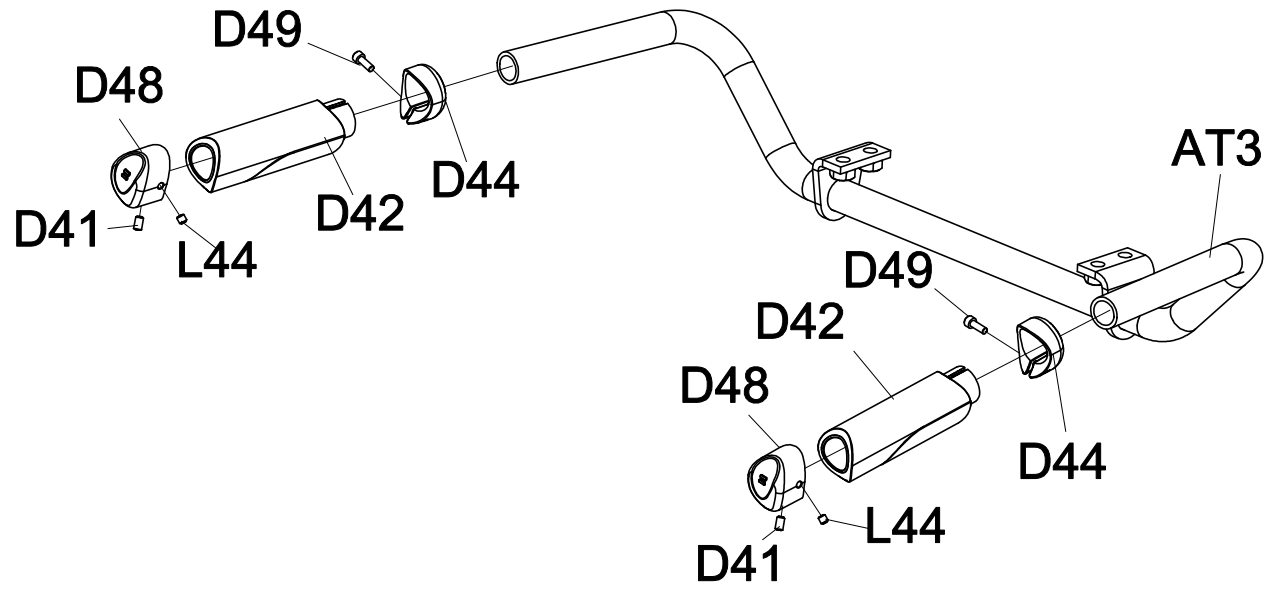

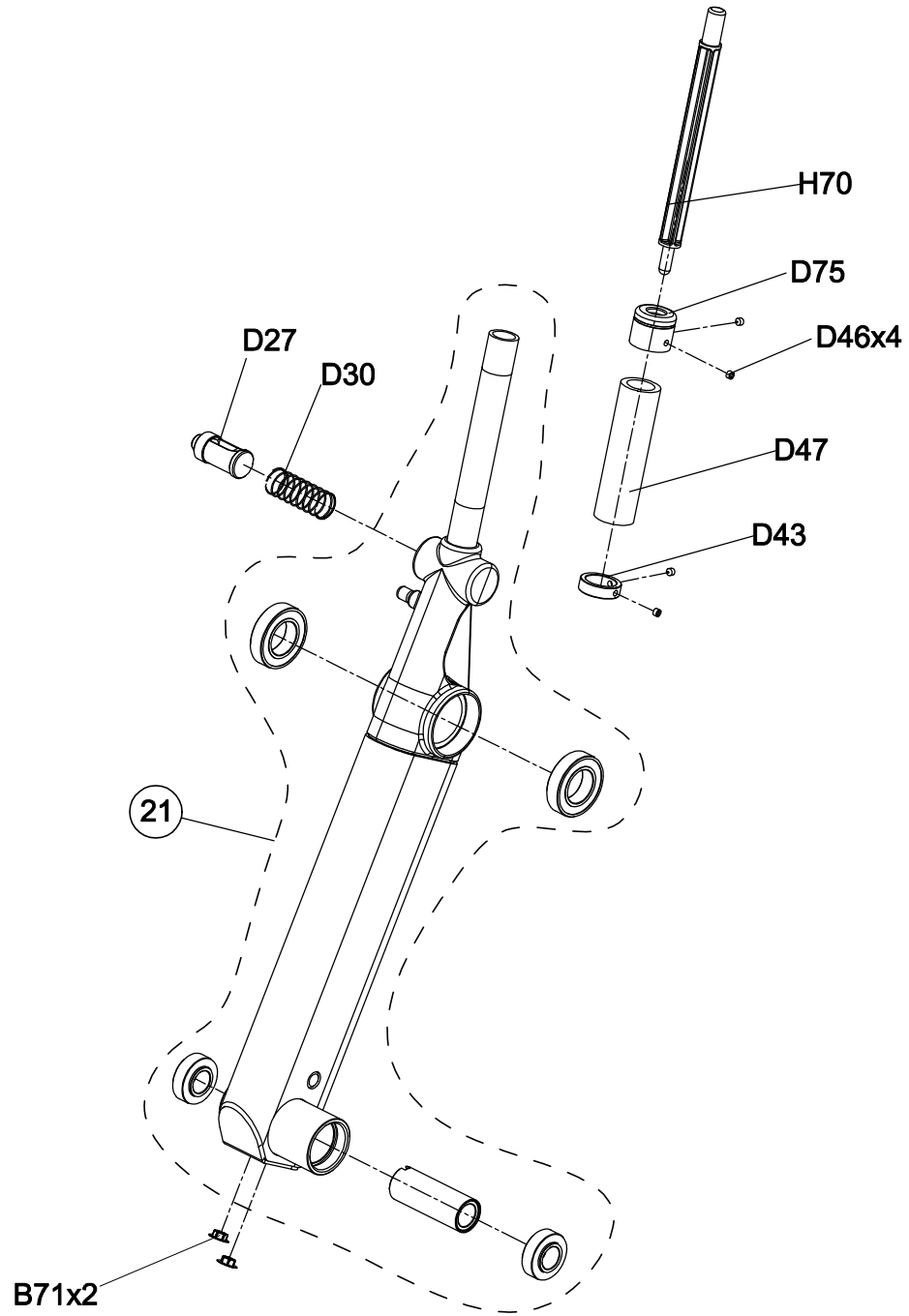


DRAWING NO	GM113-SF01		
PART NAME	Handle set : Assembling		
PART NO	See Chart		A
APPROVE	Yang Hong wu	DATE	02.03.2024

Part NO.	Color
1000413480	Iced Sliver
1000413612	Platinum
1000413616	Polarized Titanium
1000413620	Lace White
1000413624	Pearl White
1000413628	Mat Black
1000413633	Black Glossy
1000427310	PF Purple;RAL4008
1000440496	PF YELLOW RAL1023
1000504665	Graphite Grey

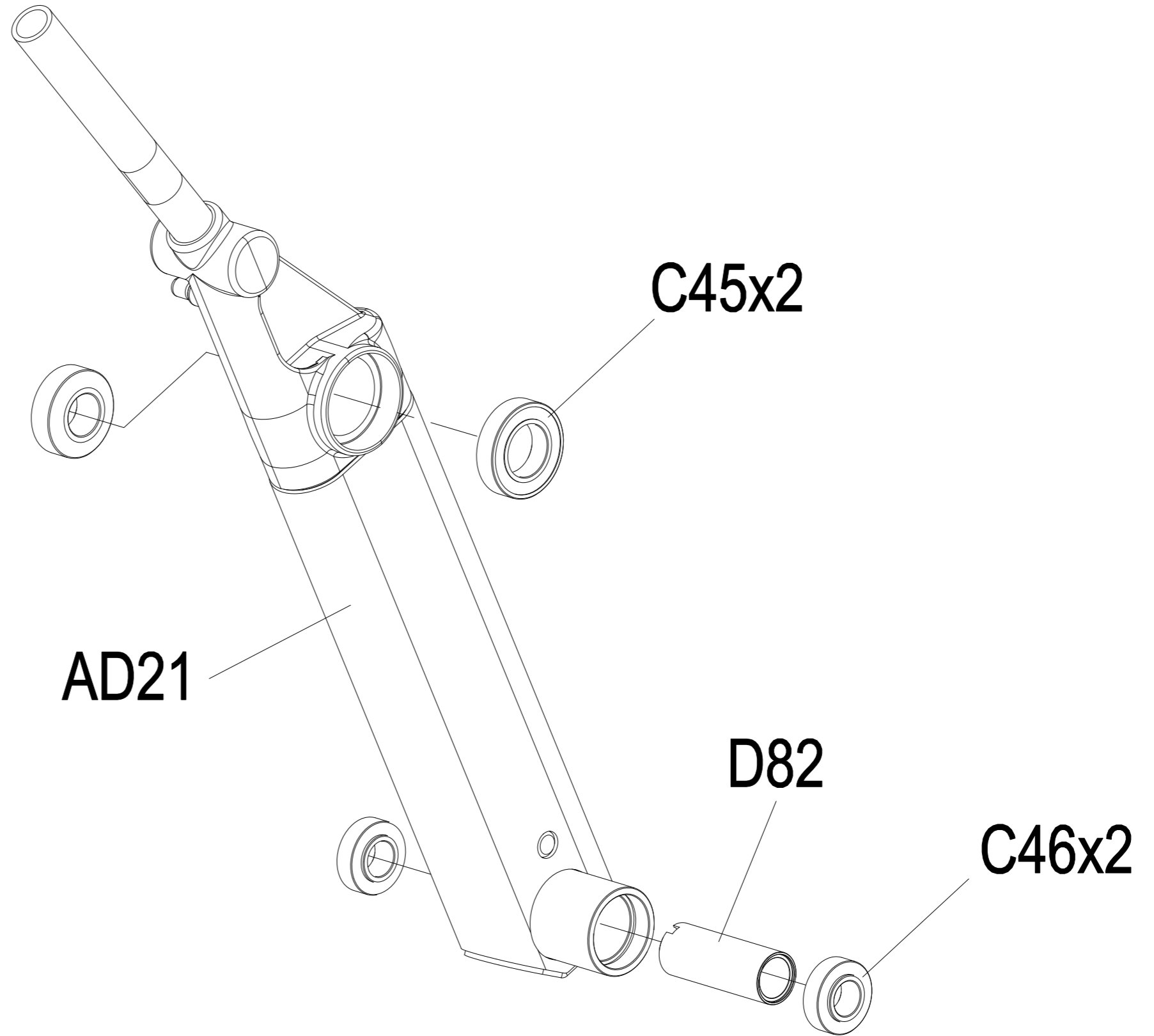


DRAWING NO	GM113H-SF02		
PART NAME	Swivel arm set : Assembling		
PART NO	1000523032		A
APPROVE	Han Xuting	DATE	2024.09.14



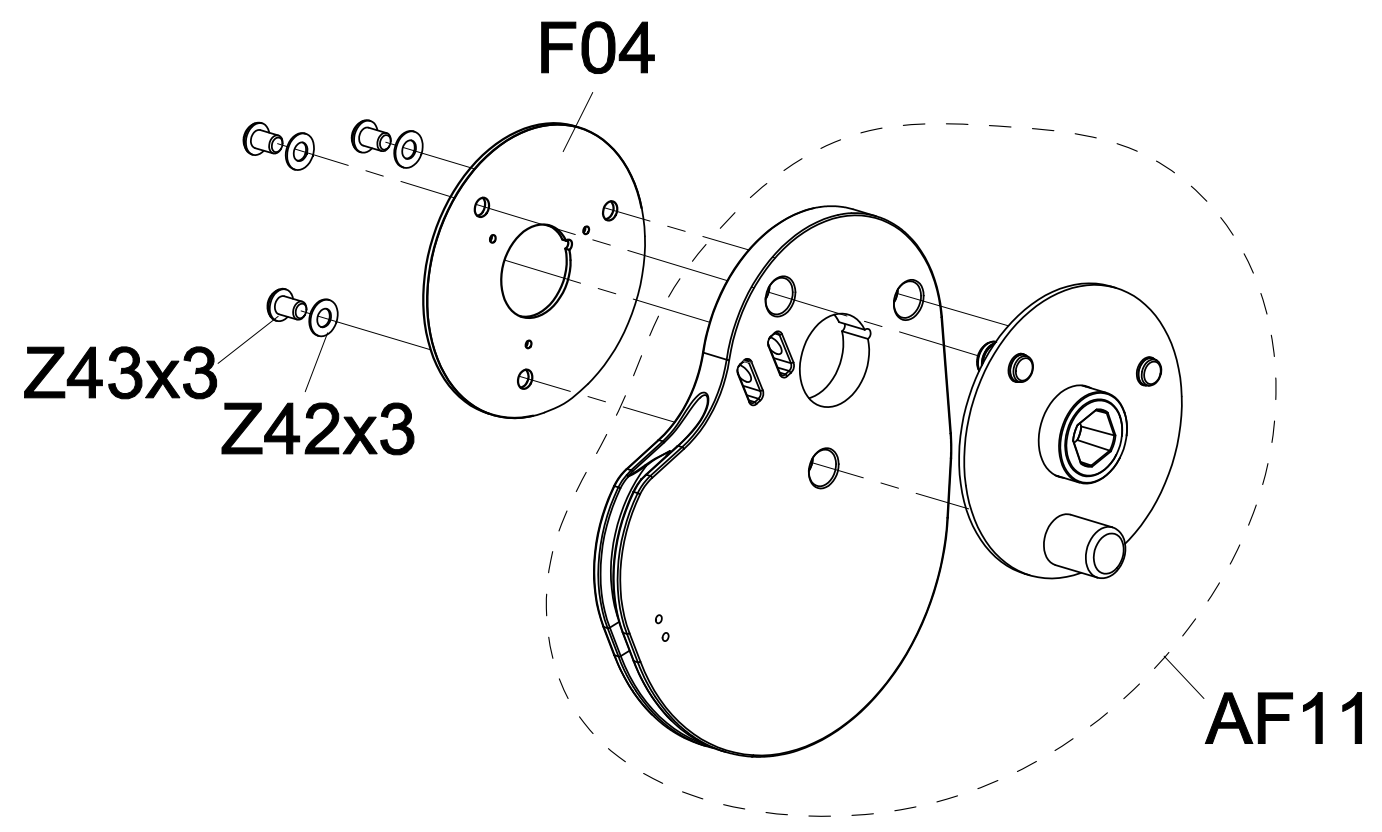
DRAWING NO	GM113-AD211		
PART NAME	Part Explosive Diagram		
PART NO	See Chart	REV	A
APPROVE	SuYehua	DATE	2024.02.20


Part No.	Color
1000413659	Iced Sliver
1000413663	Platinum
1000413666	Polarized Titanium
1000413669	Lace White
1000413678	Pearl White
1000413679	Black Glossy
1000413680	Black Matte
1000427299	PF Purple RAL4008
1000432113	O-PF Purple
1000440489	PF Yellow RAL1023
1000504661	Graphite Grey

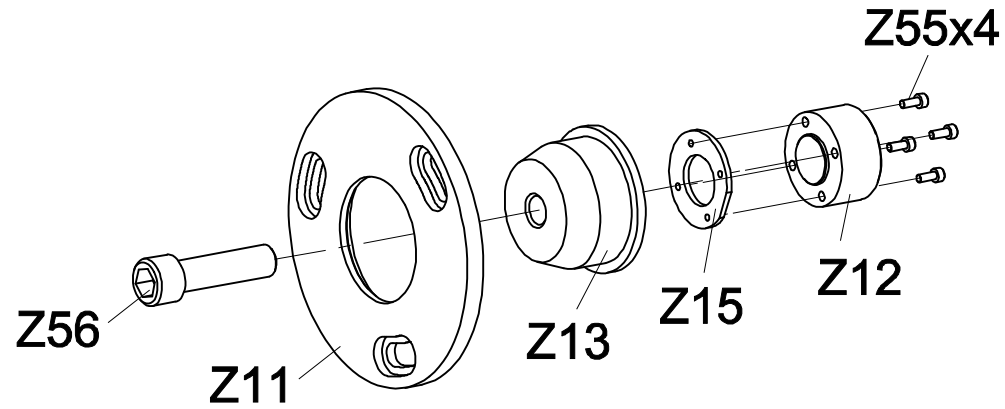


DRAWING NO	GM113-SF03		
PART NAME	Cam Fixing Set ; Assembling		
PART NO	See Chart	REV	A
APPROVE	wangtao	DATE	2023.03.23

Part NO.	Color
1000413479	Iced Sliver
1000413498	Platinum
1000413500	Polarized Titanium
1000413502	Lace White
1000413524	Pearl White
1000413531	Mat Black
1000413559	Black Glossy
1000427297	PF Purple;RAL4008
1000440495	PF YELLOW RAL1023
1000458005	Graphite Gray



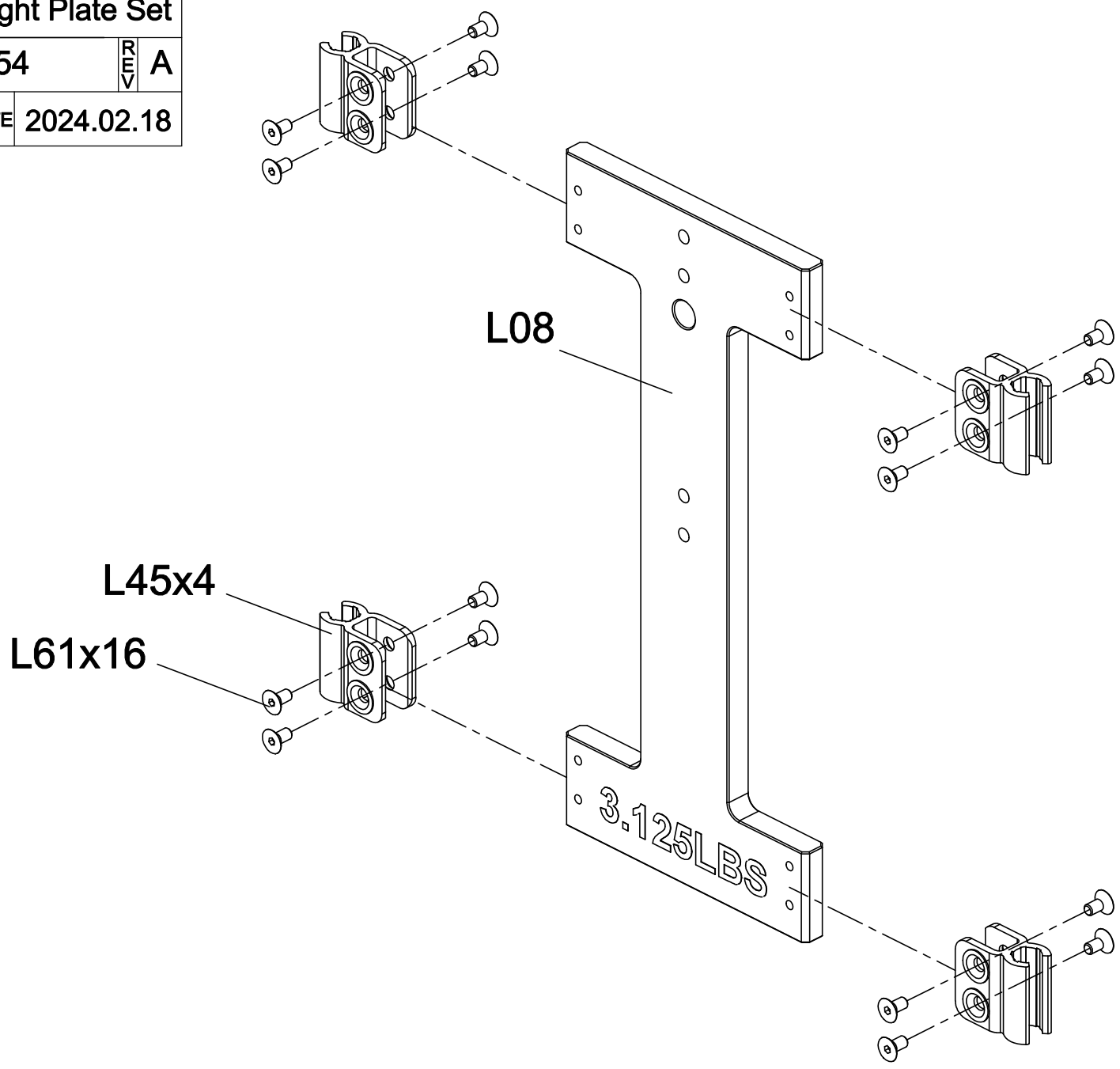
DRAWING NO	GM113-SF04		
PART NAME	Disassembly connect set;CAM ;Assembling		
PART NO	1000420787		A
APPROVE	ALEX	DATE	06.25.2018



Notes:

Z11 and Z13, tight fit, must be equipped with hydraulic press.

DRAWING NO	GM113F-SF03		
PART NAME	Incremental Weight Plate Set		
PART NO	1000504954	REV	A
APPROVE	Yang Hong wu	DATE	2024.02.18



DRAWING NO	GM113F-SF04		
PART NAME	Incremental Weight Plate Set		
PART NO	1000504962	REV	A
APPROVE	Yang Hong wu	DATE	2024.02.18

