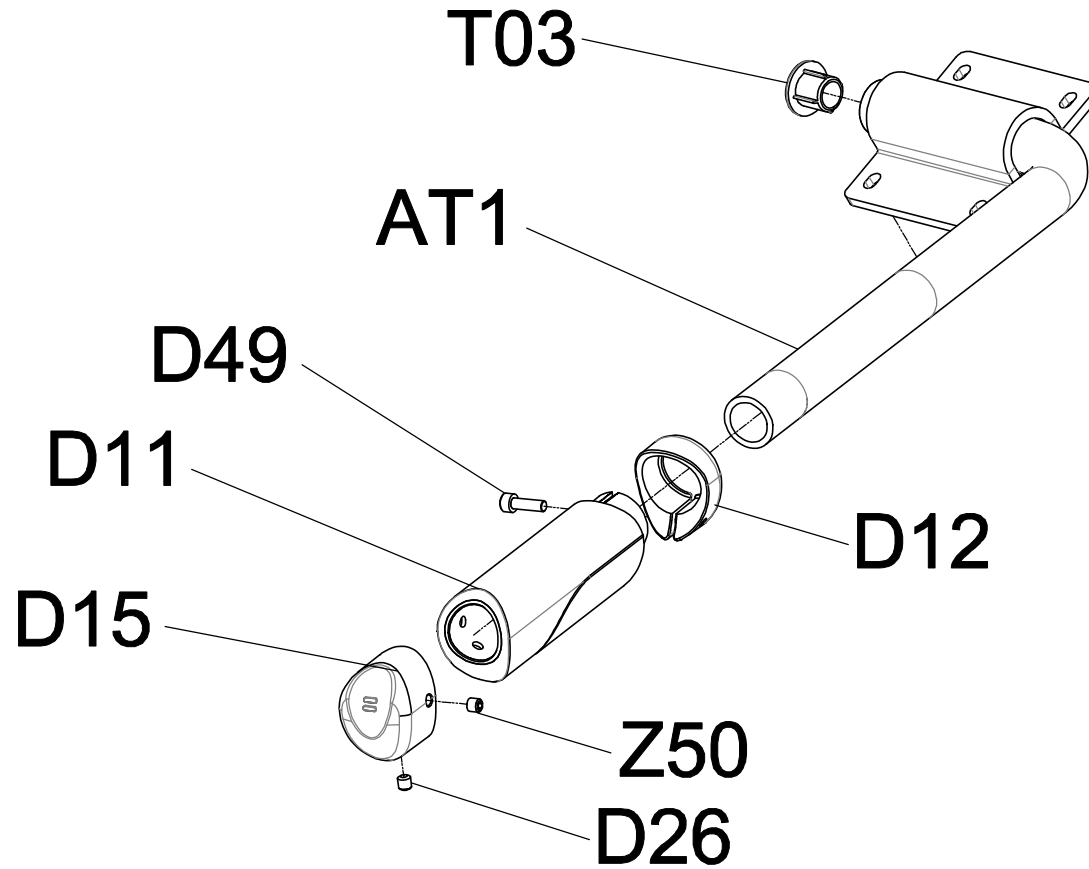
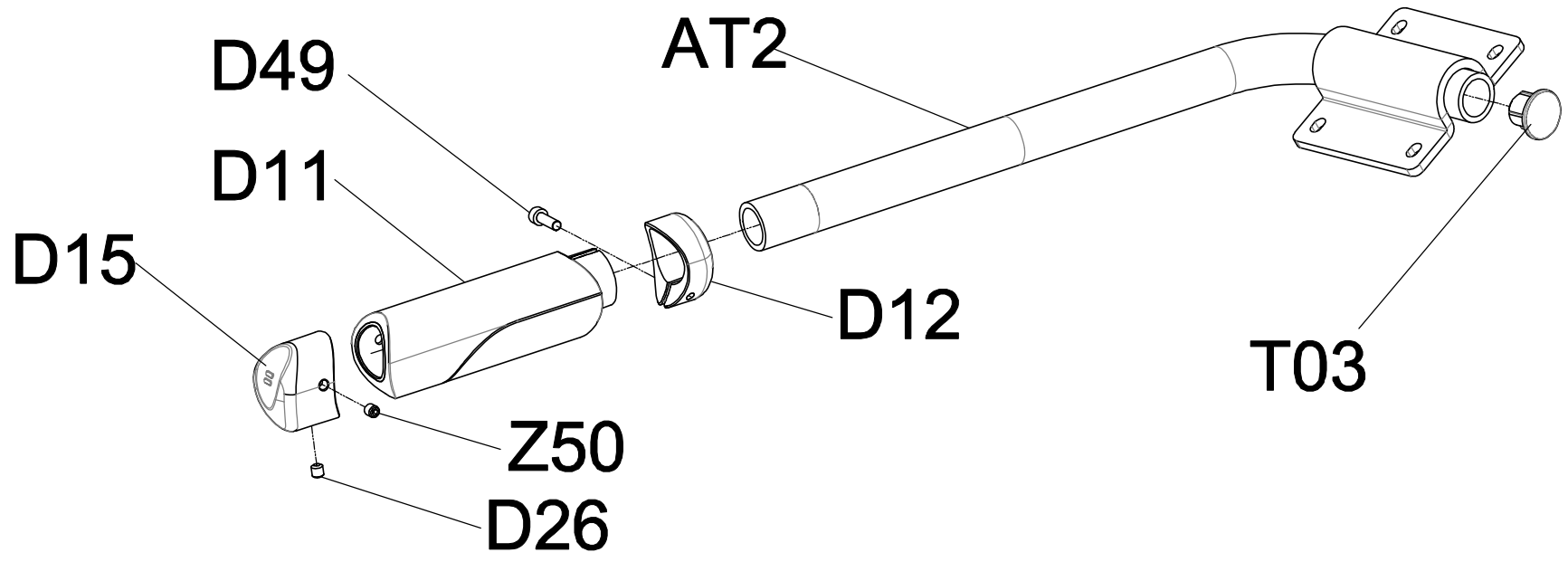


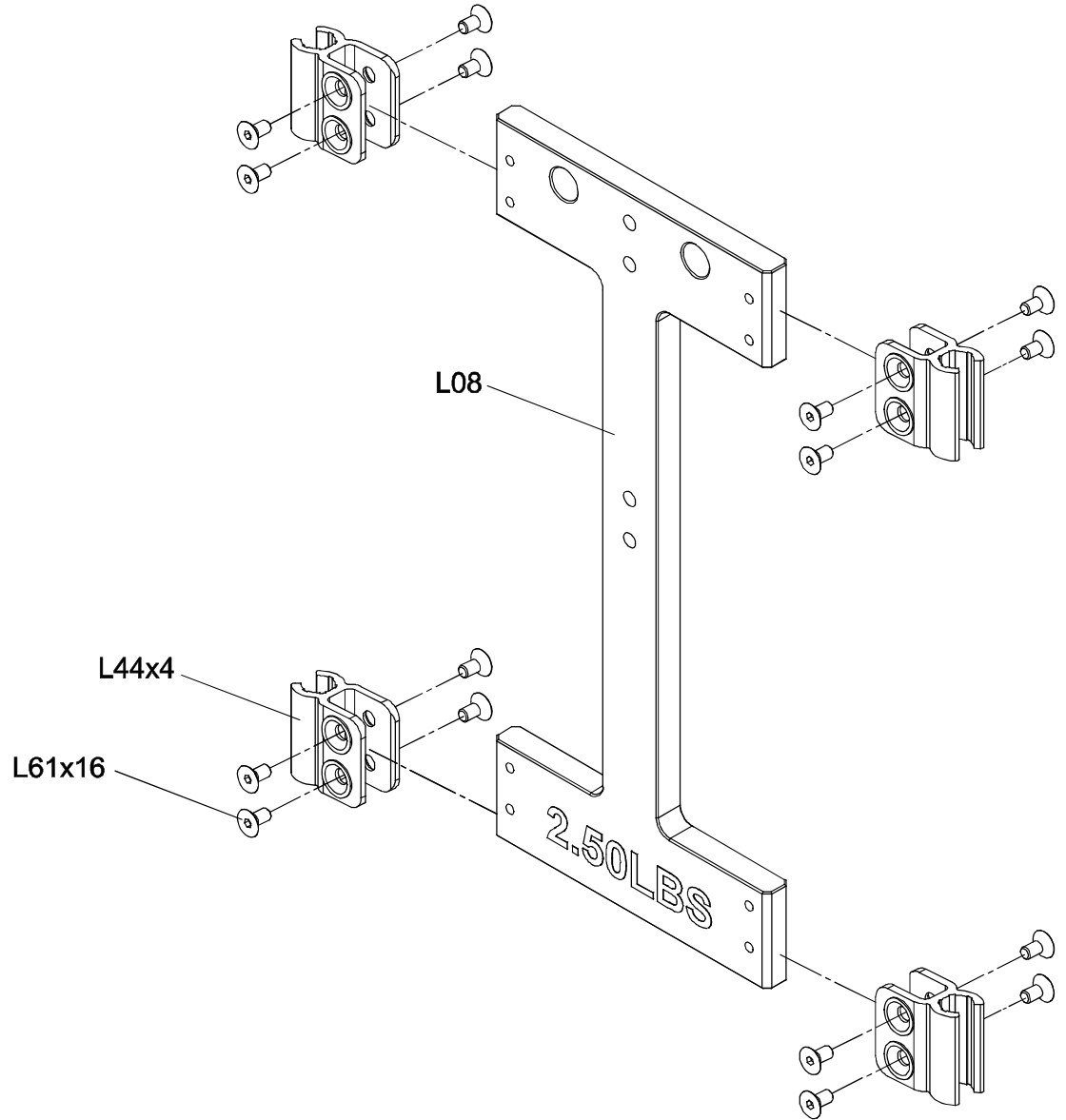
DRAWING NO	GM116H-SF01		
PART NAME	Handle set;Left		
PART NO	1000529179	REV	A
APPROVE	Chen Tuo	DATE	2025.01.17



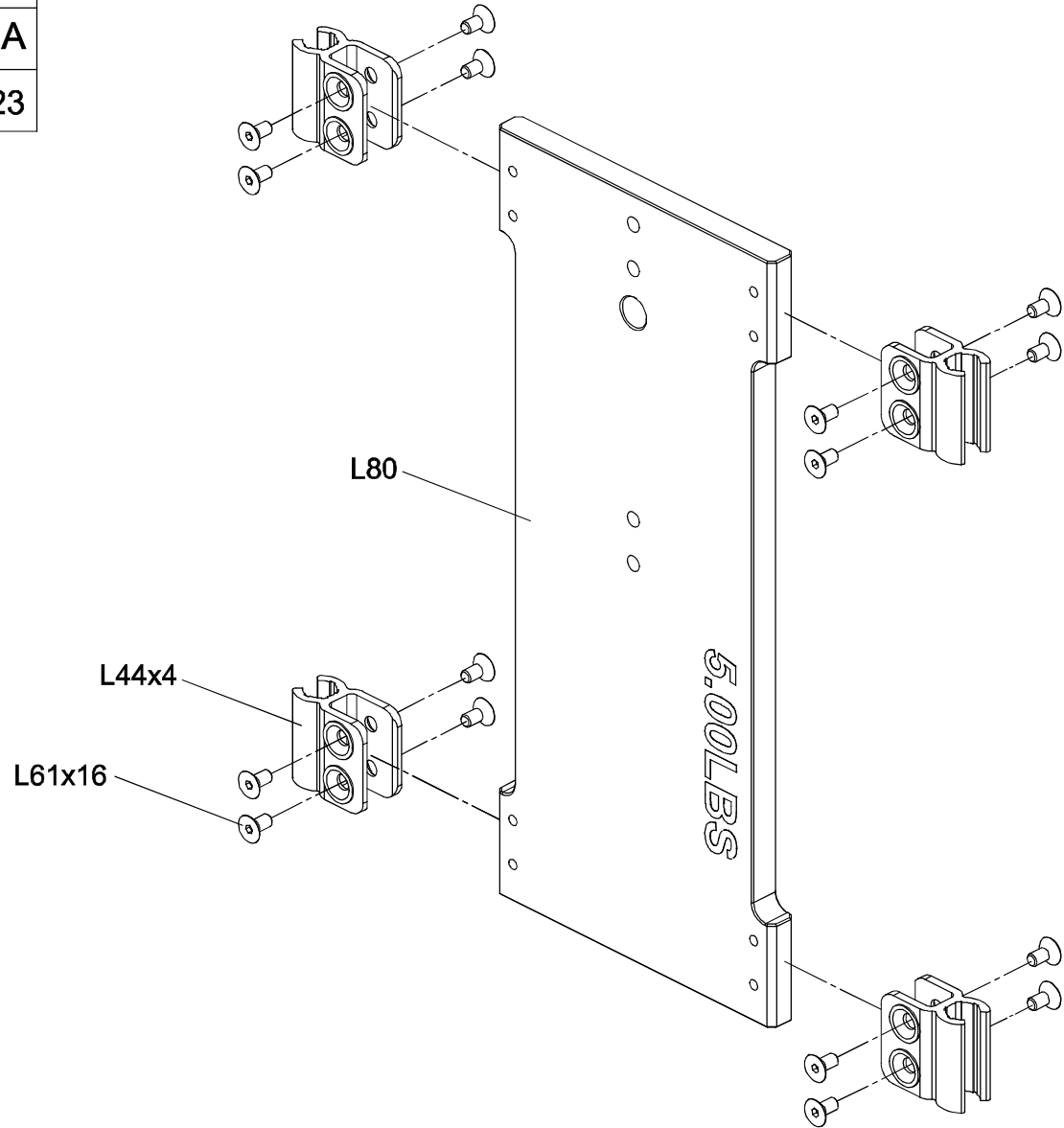
DRAWING NO	GM116H-SF02		
PART NAME	Handle set;Righ		
PART NO	1000529180	REV	A
APPROVE	Chen Tuo	DATE	2025.01.17



DRAWING NO	GM121F-AL2		
PART NAME	Incremental Weight Plate Set		
PART NO	1000504336	REV	A
APPROVE	Xugang	DATE	2024.01.23



DRAWING NO	GM121F-AL3		
PART NAME	Incremental Weight Plate Set		
PART NO	1000504347	REV	A
APPROVE	Xugang	DATE	2024.01.23



DRAWING NO	GM116F-A12		
PART NAME	Guide base set		
PART NO	1000507666	REV	A
APPROVE	Hao Qingshan	DATE	2024.04.03

