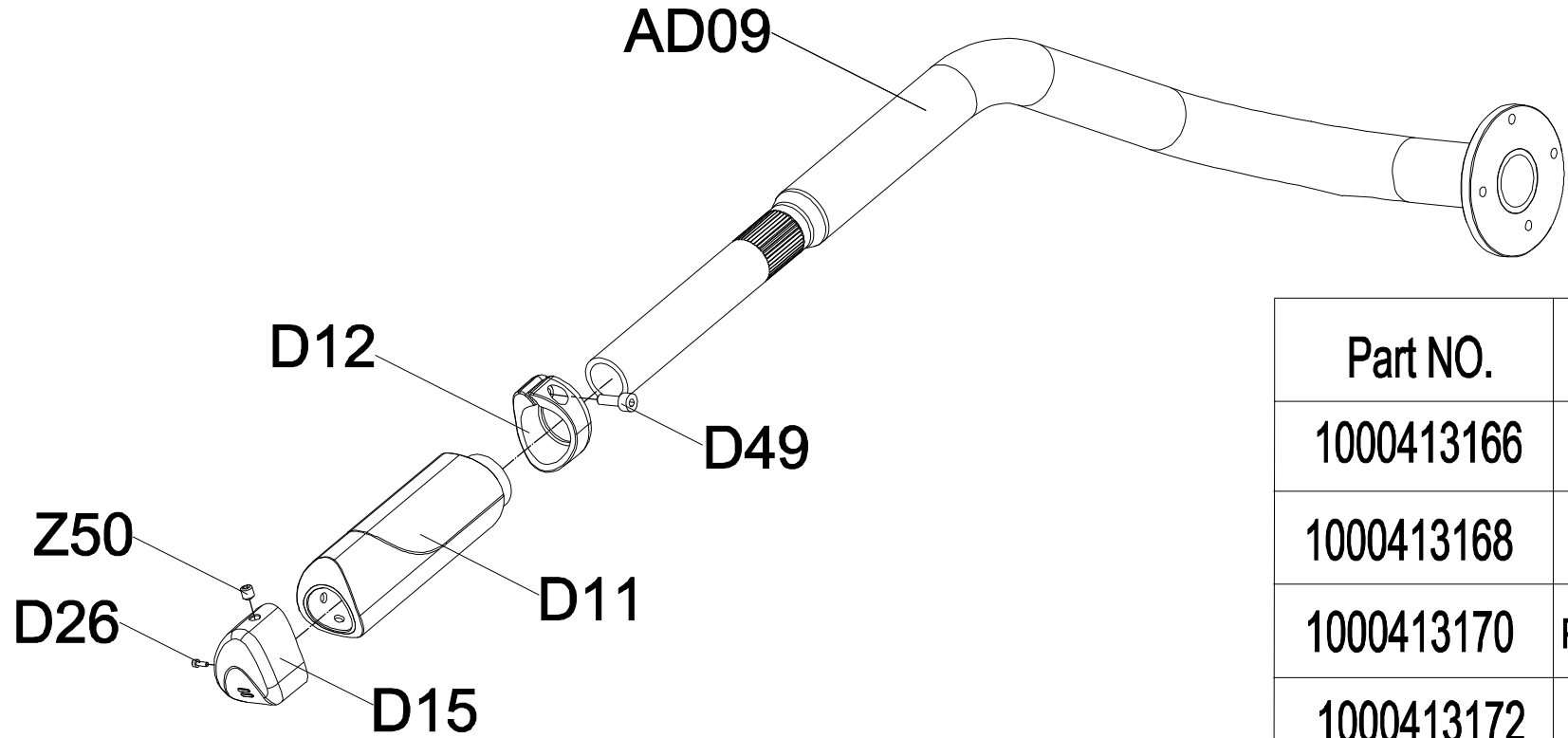
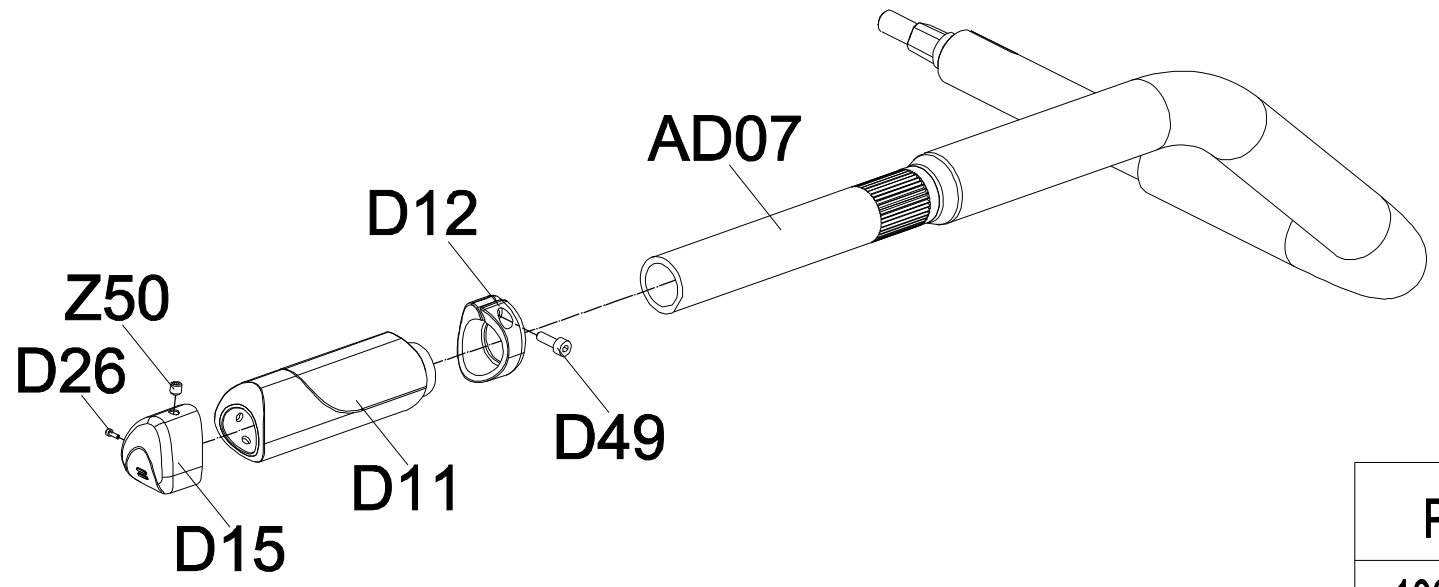


DRAWING NO	GM124-SF01		
PART NAME	Handle set;Right		
PART NO	See Chart	REV	A
APPROVE	XuGang	DATE	04162024



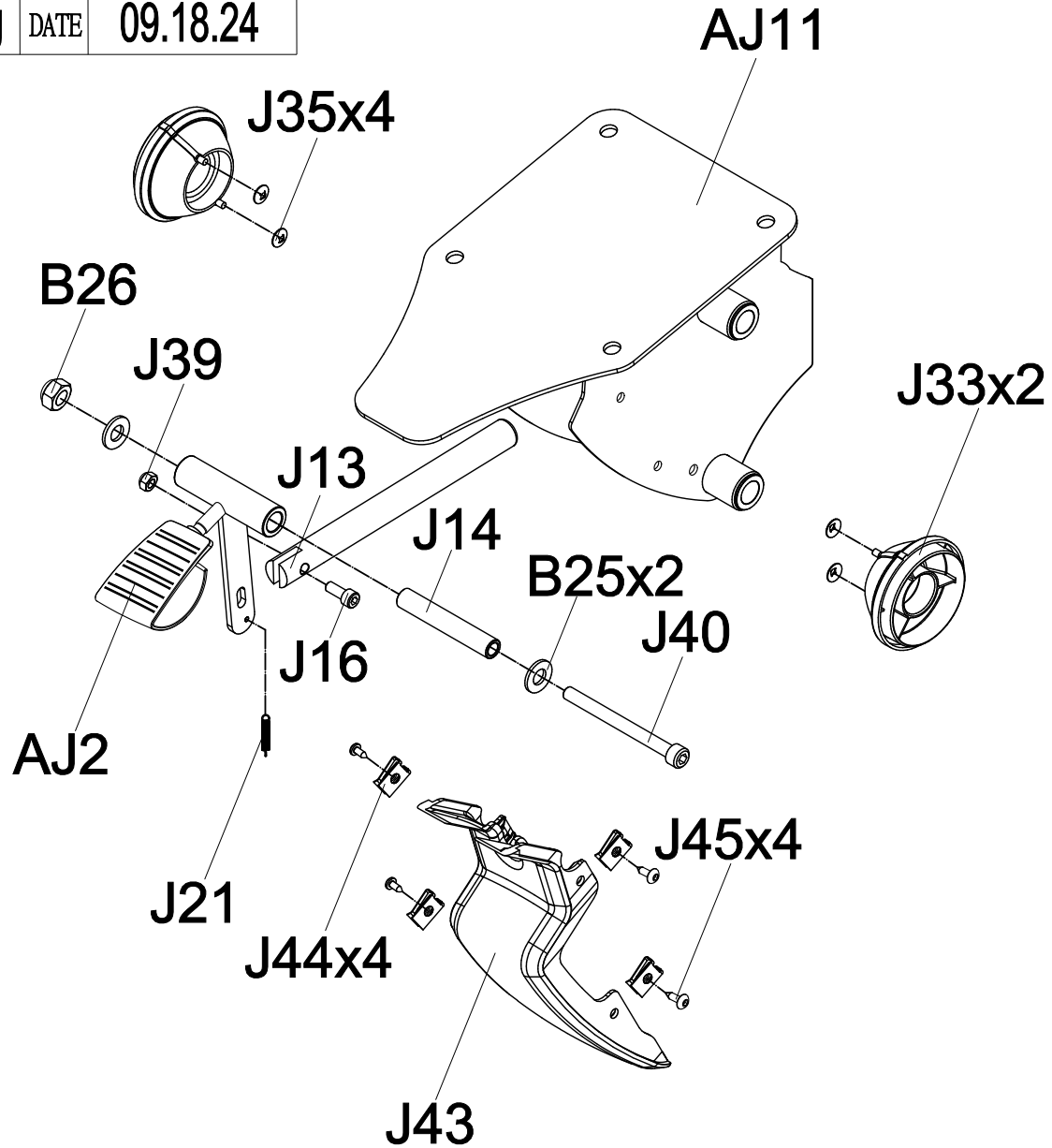
Part NO.	Color
1000413166	Iced Sliver
1000413168	Platinum
1000413170	Polarized Titanium
1000413172	Lace White
1000413174	Pearl White
1000413176	Mat Black
1000413178	BlackGlossy
1000510326	Graphite Grey

DRAWING NO	GM124-SF02		
PART NAME	Handle set;Left		
PART NO	See Chart	REV	A
APPROVE	XuGang	DATE	04162024

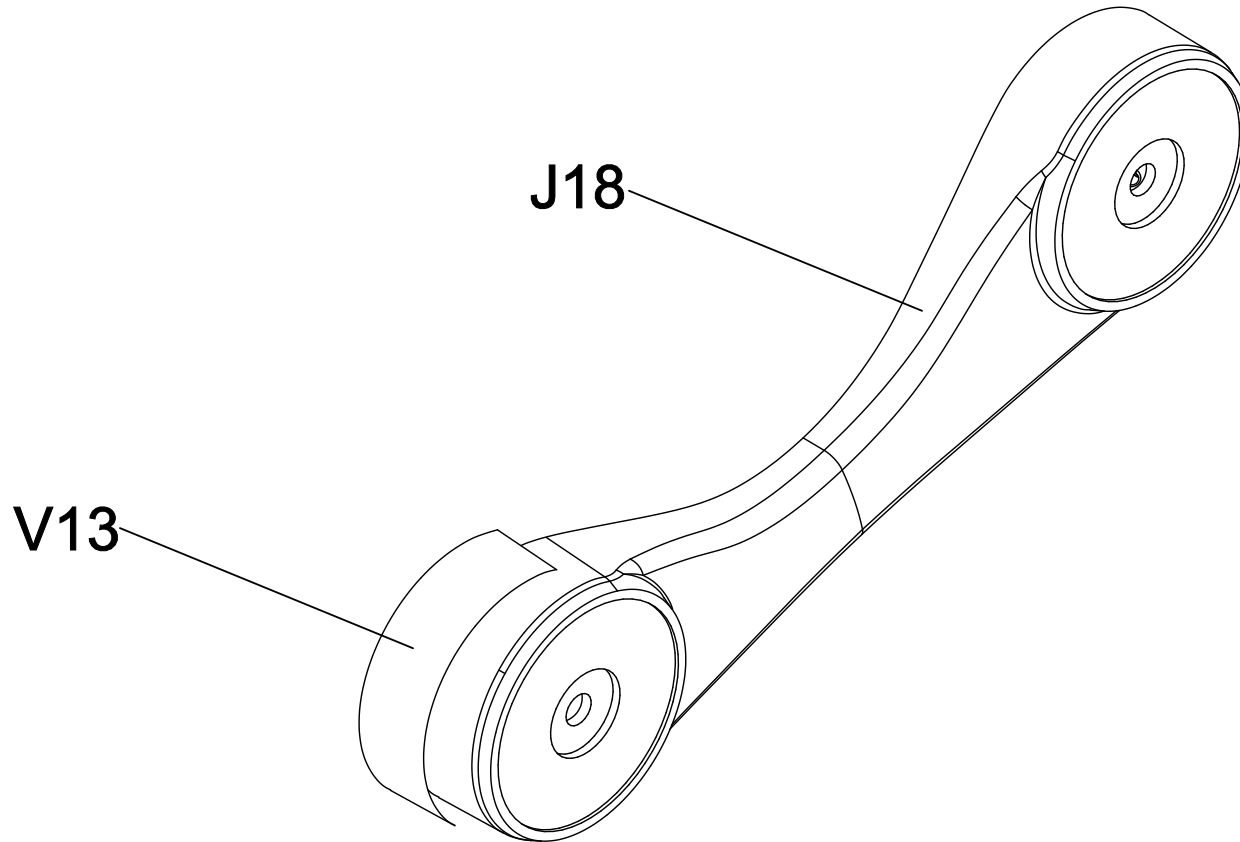


Part NO.	Color
1000413205	Iced Sliver
1000413207	Platinum
1000413209	Polarized Titanium
1000413211	Lace White
1000413217	Pearl White
1000413219	Mat Black
1000413222	BlackGlossy
1000510327	Graphite Grey

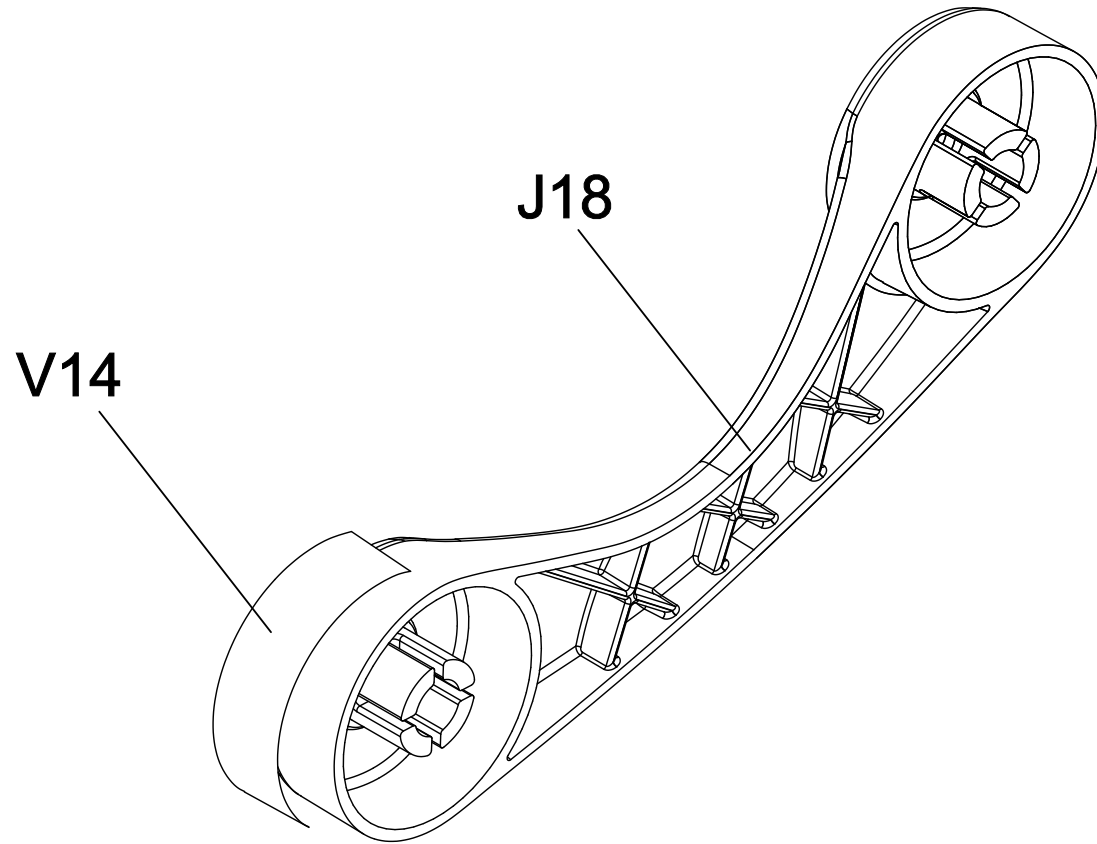
DRAWING NO	GM124H-SF03		
PART NAME	Seat Adjustable Set		
PART NO	1000522877	REV	A
APPROVE	Wangzhiqing	DATE	09.18.24



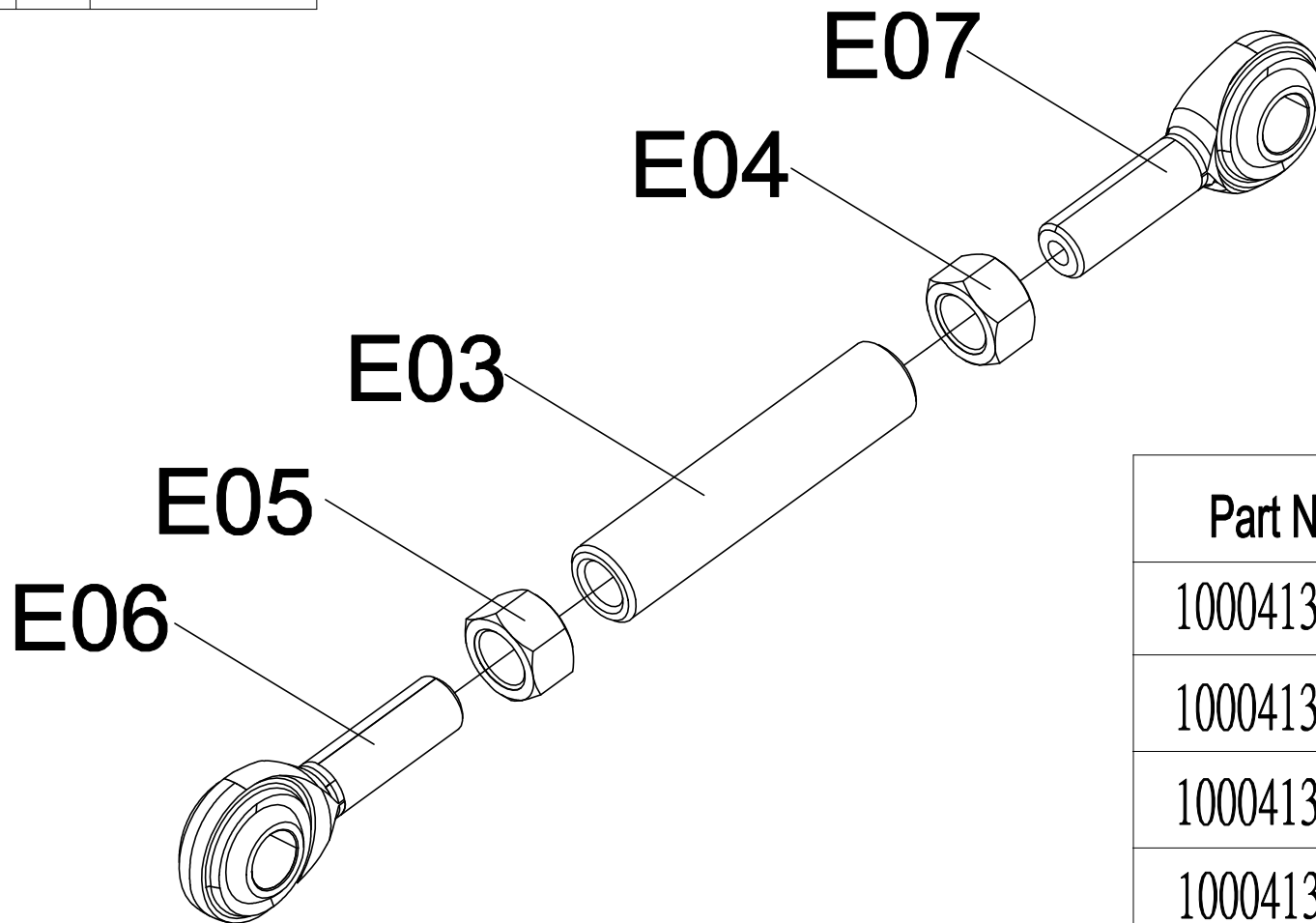
DRAWING NO	GM124H-SF04		
PART NAME	Seat Connect Rod;Right Down		
PART NO	1000522872	REV	A
APPROVE	Wangzhiqing	DATE	09.18.24



DRAWING NO	GM124H-SF05		
PART NAME	Seat Connect Rod;Left Down		
PART NO	1000522875	REV	A
APPROVE	Wangzhiqing	DATE	09.18.24

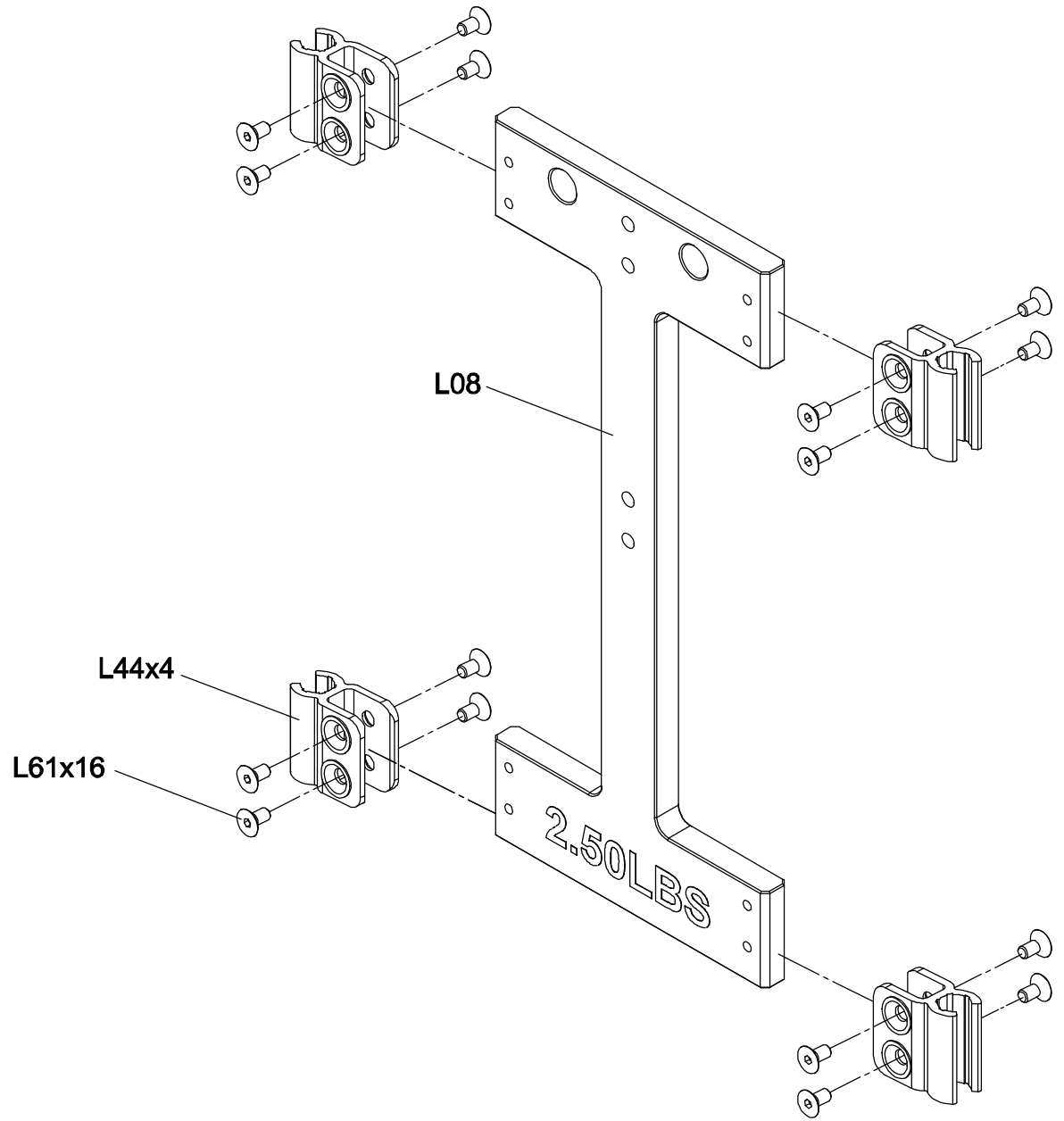


DRAWING NO	GM124-SF06		
PART NAME	Connect Rod		
PART NO	See Chart	REV	A
APPROVE	Jo	DATE	10152017

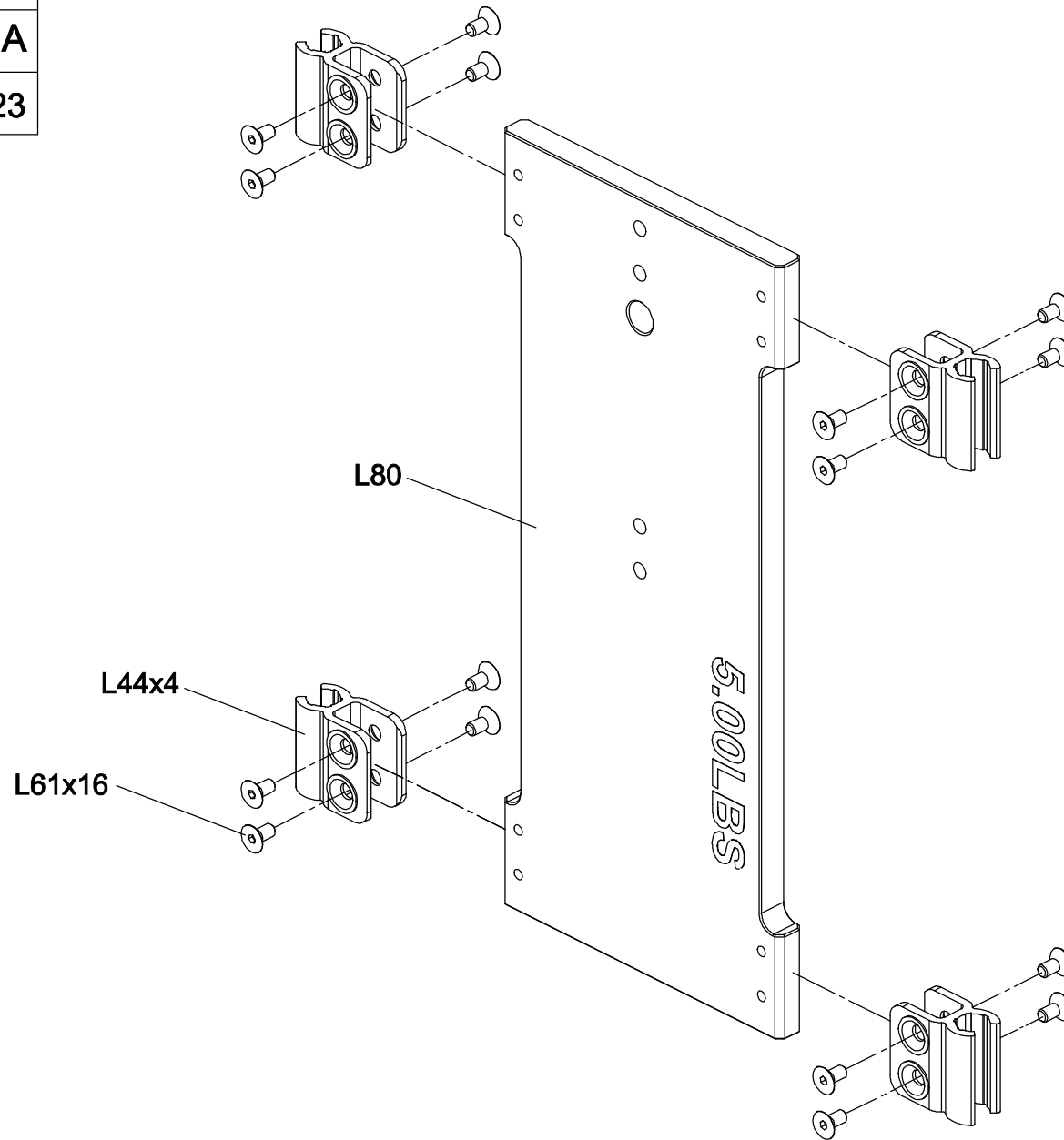



Part NO.	Color
1000413283	Iced Sliver
1000413284	Platinum
1000413296	Polarized Titanium
1000413298	Lace White
1000413299	Pearl White
1000413300	Mat Black
1000413301	BlackGlossy

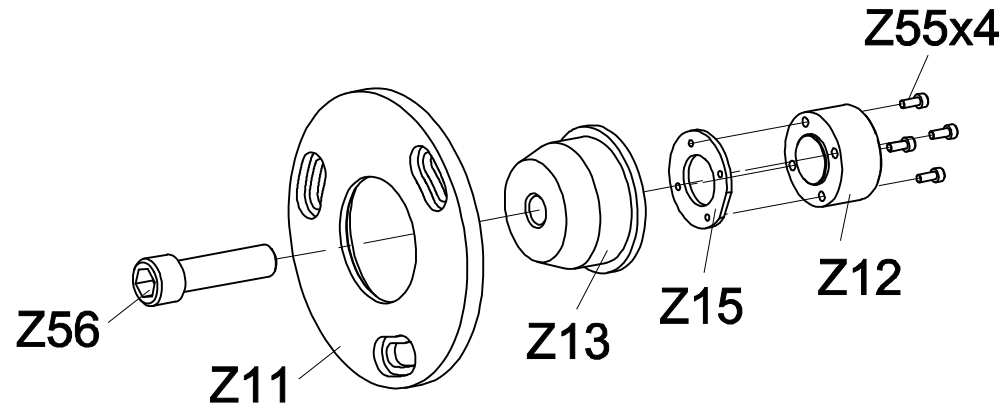
DRAWING NO	GM121F-AL2		
PART NAME	Incremental Weight Plate Set		
PART NO	1000504336	REV	A
APPROVE	Xugang	DATE	2024.01.23



DRAWING NO	GM121F-AL3		
PART NAME	Incremental Weight Plate Set		
PART NO	1000504347	REV	A
APPROVE	Xugang	DATE	2024.01.23



DRAWING NO	GM113-SF04		
PART NAME	Disassembly connect set;CAM ;Assembling		
PART NO	1000420787		A
APPROVE	ALEX	DATE	06.25.2018



Notes:

Z11 and Z13, tight fit, must be equipped with hydraulic press.