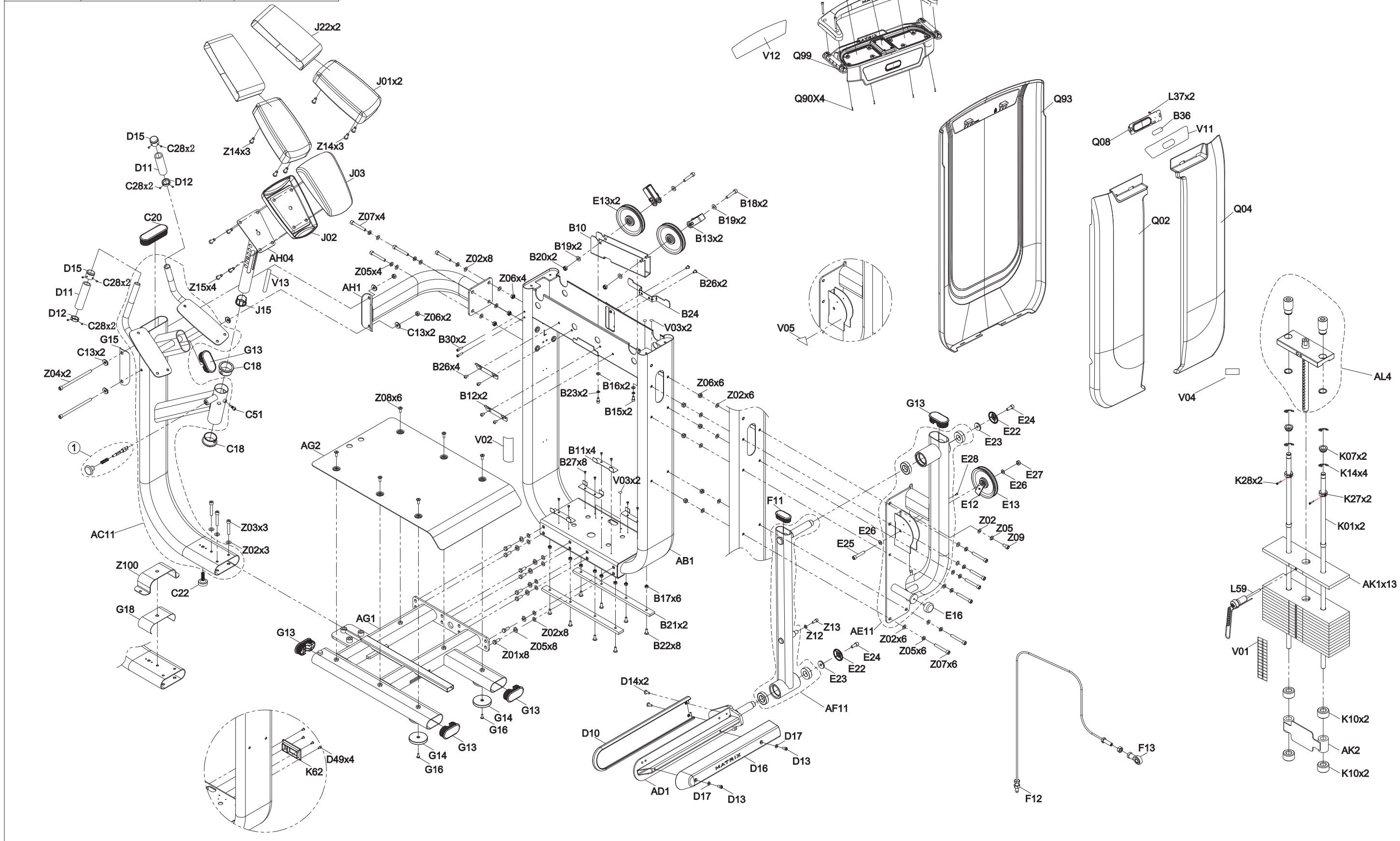



DRAWING NO	PG7GM228H-KM		
PART NAME	Explosive Diagram		
PART NO	MGM0833-00	REV	A
APPROVE	SuYehua	DATE	2022.07.29



DRAWING NO	GM228-SF01		
PART NAME	Part Explosive Diagram		
PART NO	1000471824		A
APPROVE	SuYehua	DATE	2021.09.15

