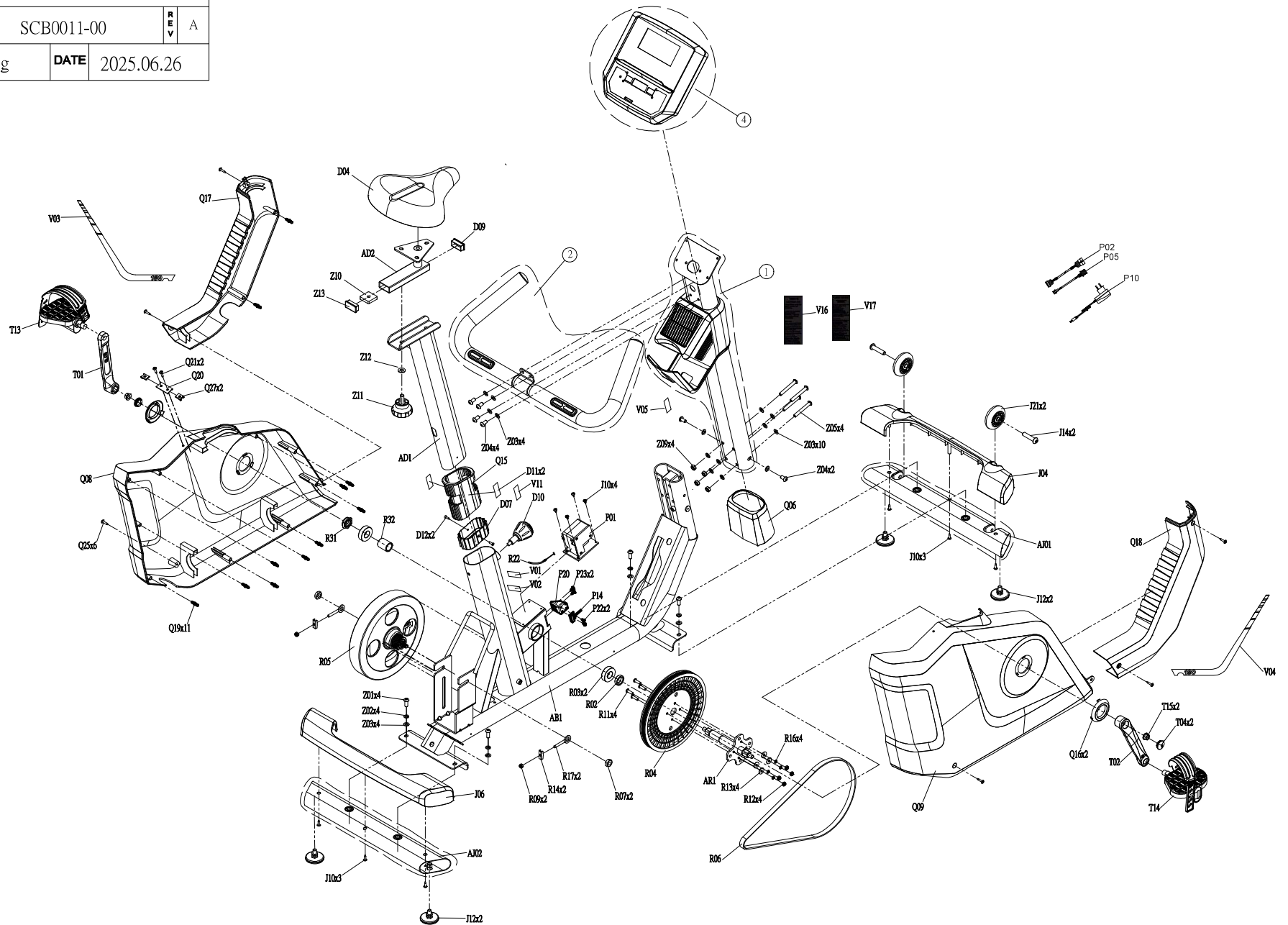
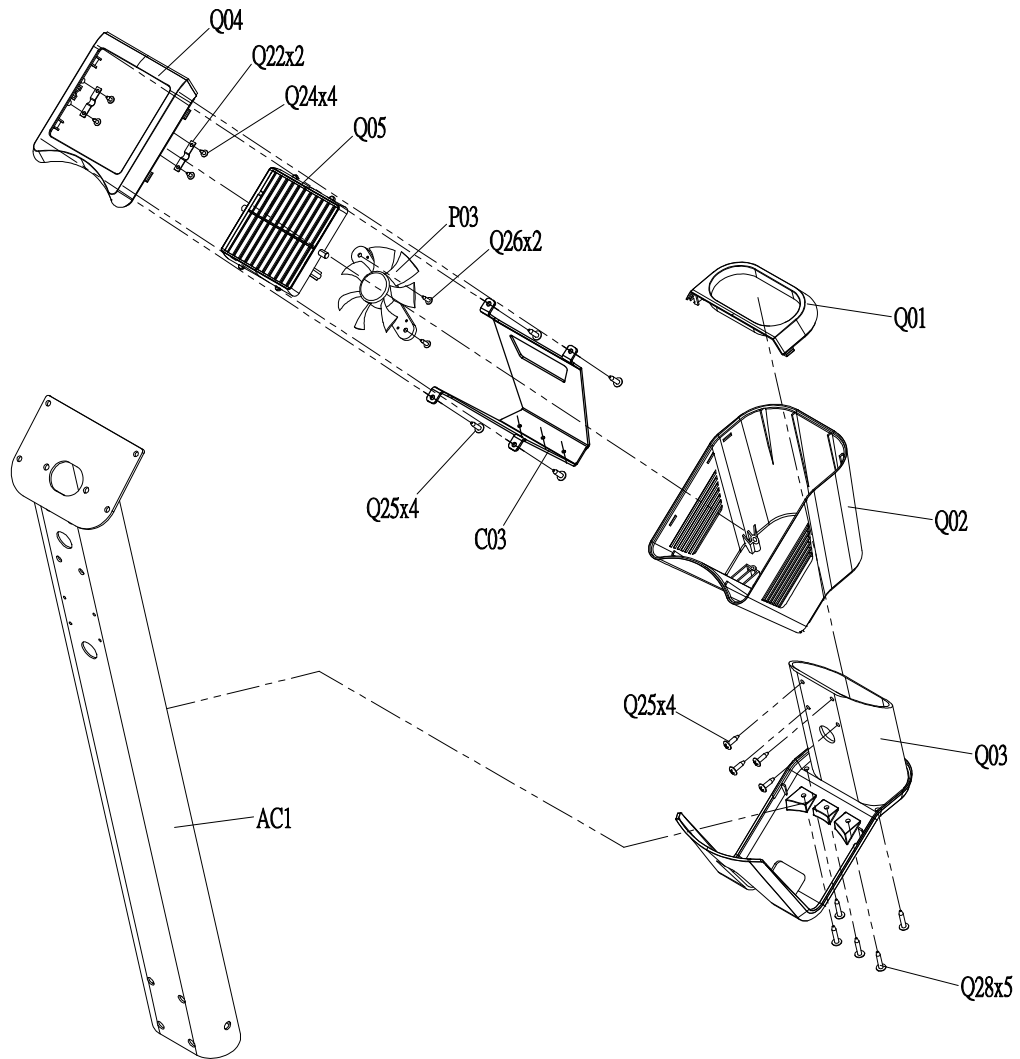


DRAWING NO	PCB175C-1US		
PART NAME	EXPLOSIVE DRAWING		
PART NO	SCB0011-00	REV	A
APPROVE	Ming	DATE	2025.06.26



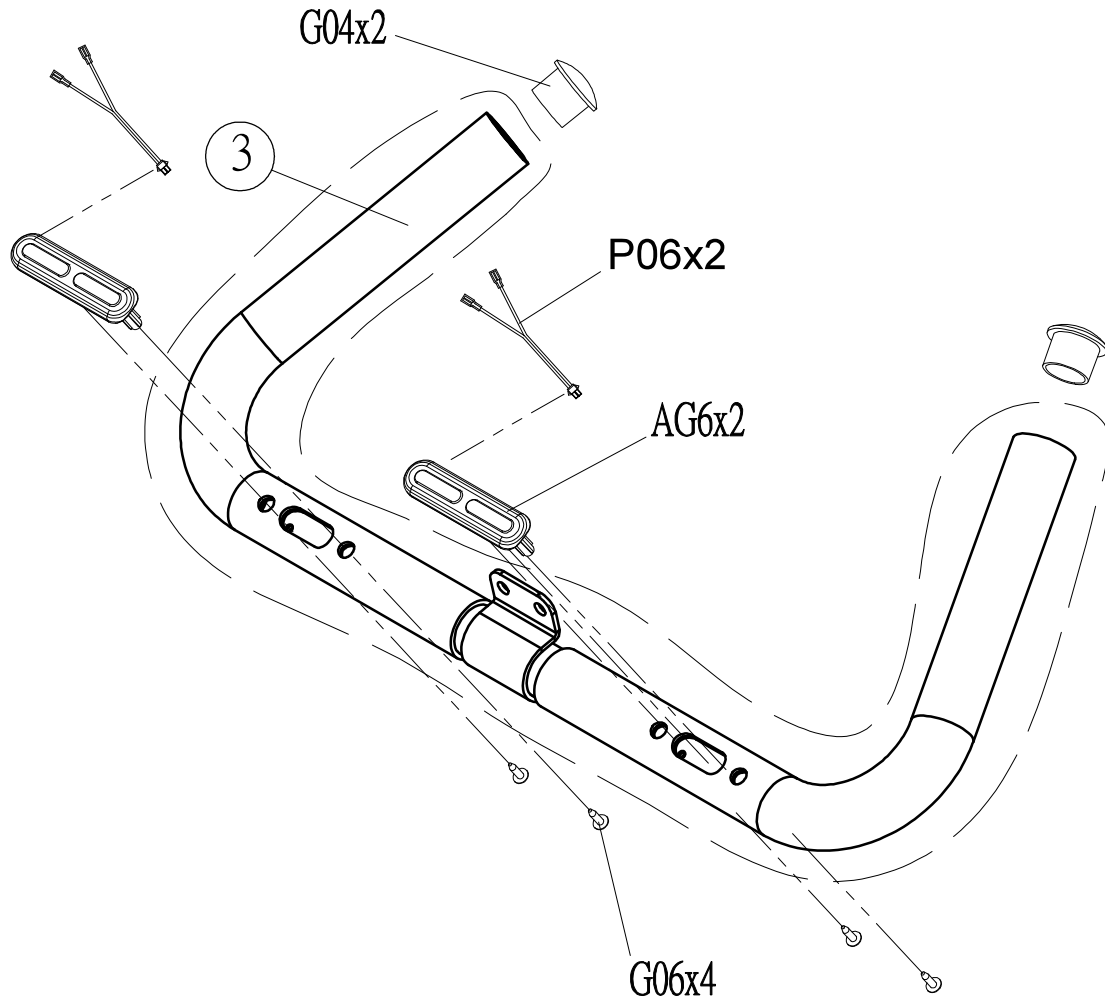
DRAWING NO	CB175-A10		
PART NAME	Console mast Set		
PART NO	See Chart	REV ↓	A
APPROVE	Willie	DATE	2025.06.15

PART NO
1000488978
1000542574



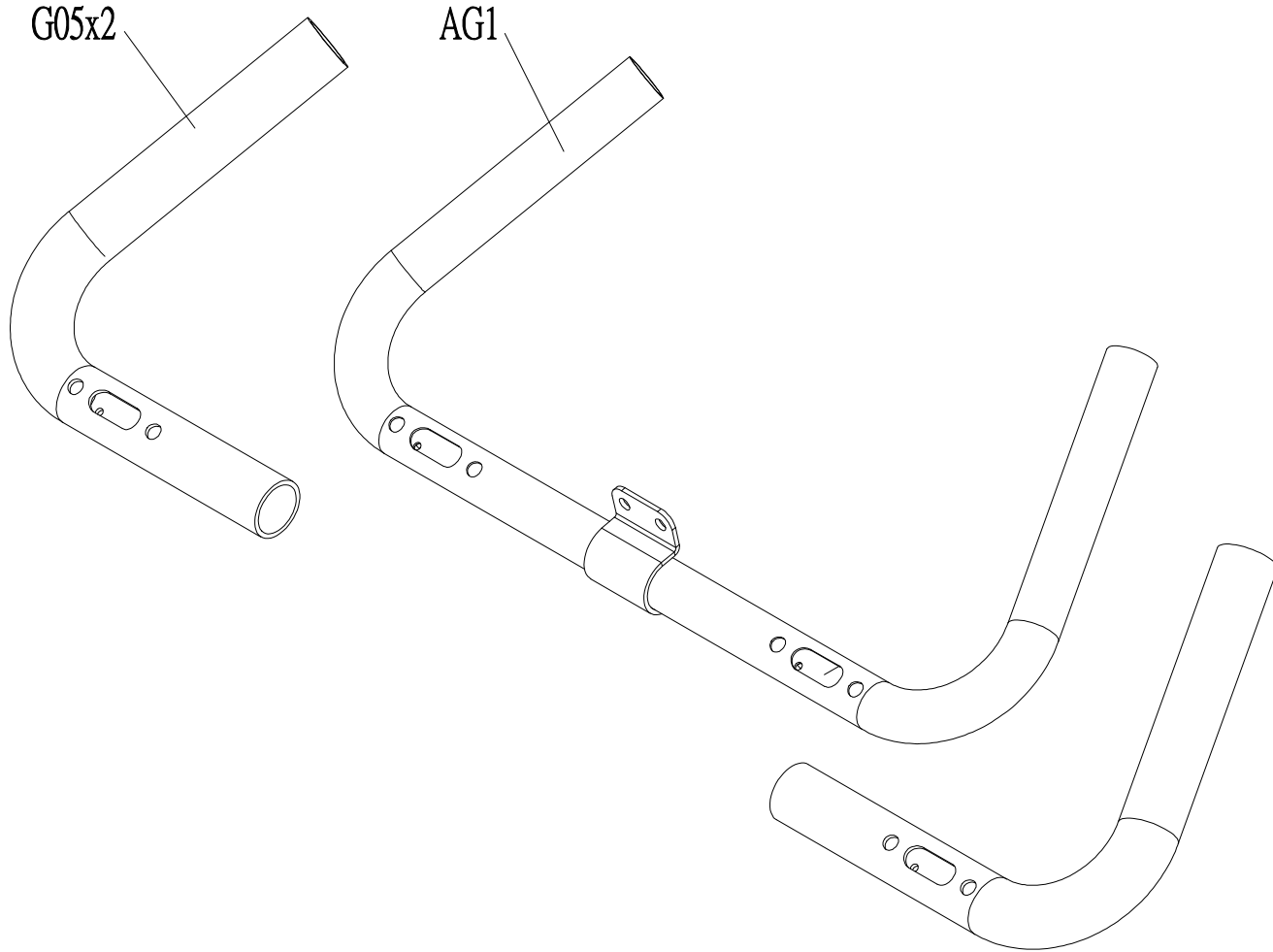
DRAWING NO	CB175-A11		
PART NAME	Handrail Set		
PART NO	SEE CHART	REV	A
APPROVE	Willie	DATE	2025.06.15

PART NO
1000488979
1000542575



DRAWING NO	CB175-A12		
PART NAME	Handrail Set; foam		
PART NO	SEE CHART	REV	A
APPROVE	Willie	DATE	2025.06.15

PART NO
1000488980
1000542576



DRAWING NO	CB175-A13		
PART NAME	Console Set		
PART NO	1000488982	REV	A
APPROVE	Willie	DATE	2025.06.19

PART NO
1000488982
1000542582

