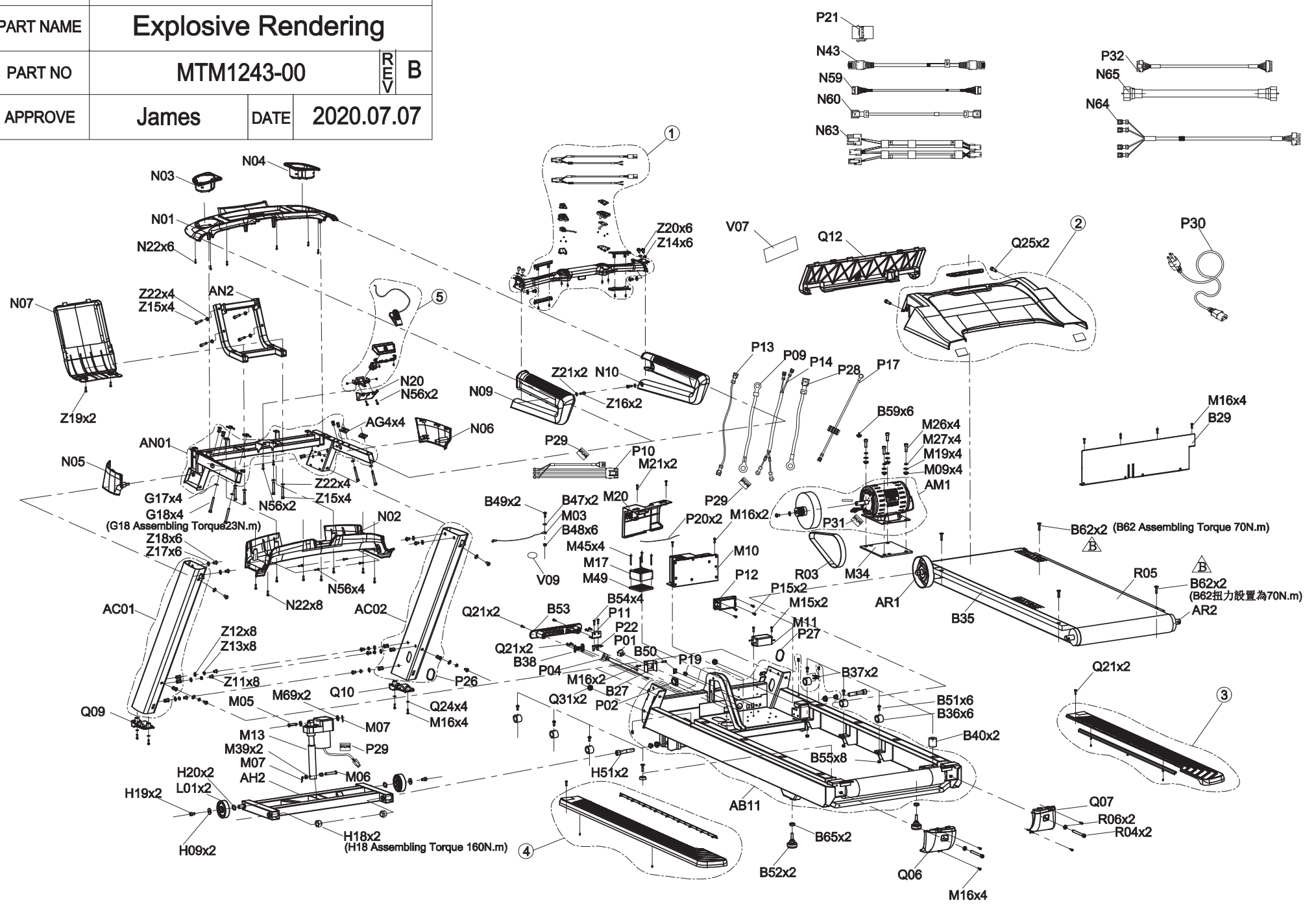
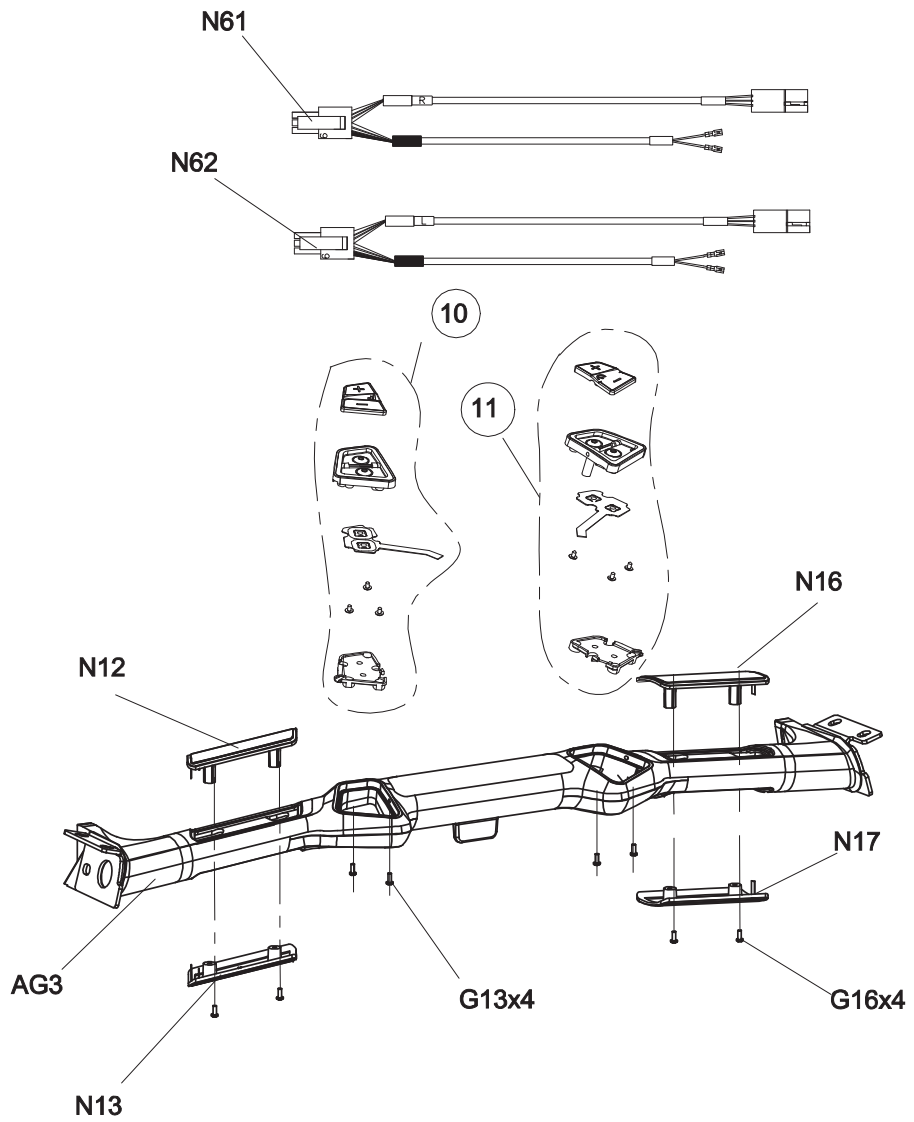


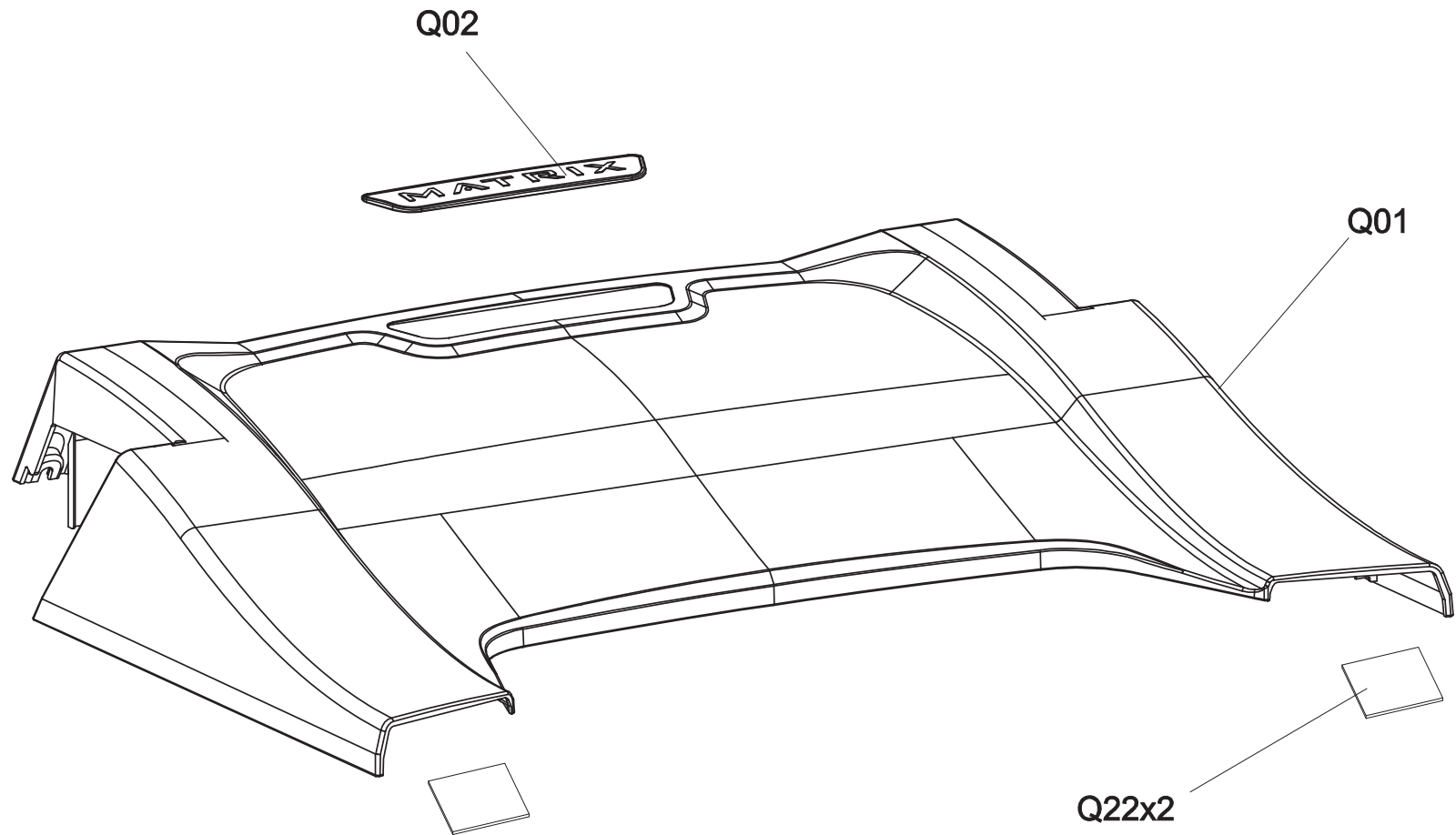
DRAWING NO	PTM747C-1US/KM-F		
PART NAME	Explosive Rendering		
PART NO	MTM1243-00	REV	B
APPROVE	James	DATE	2020.07.07



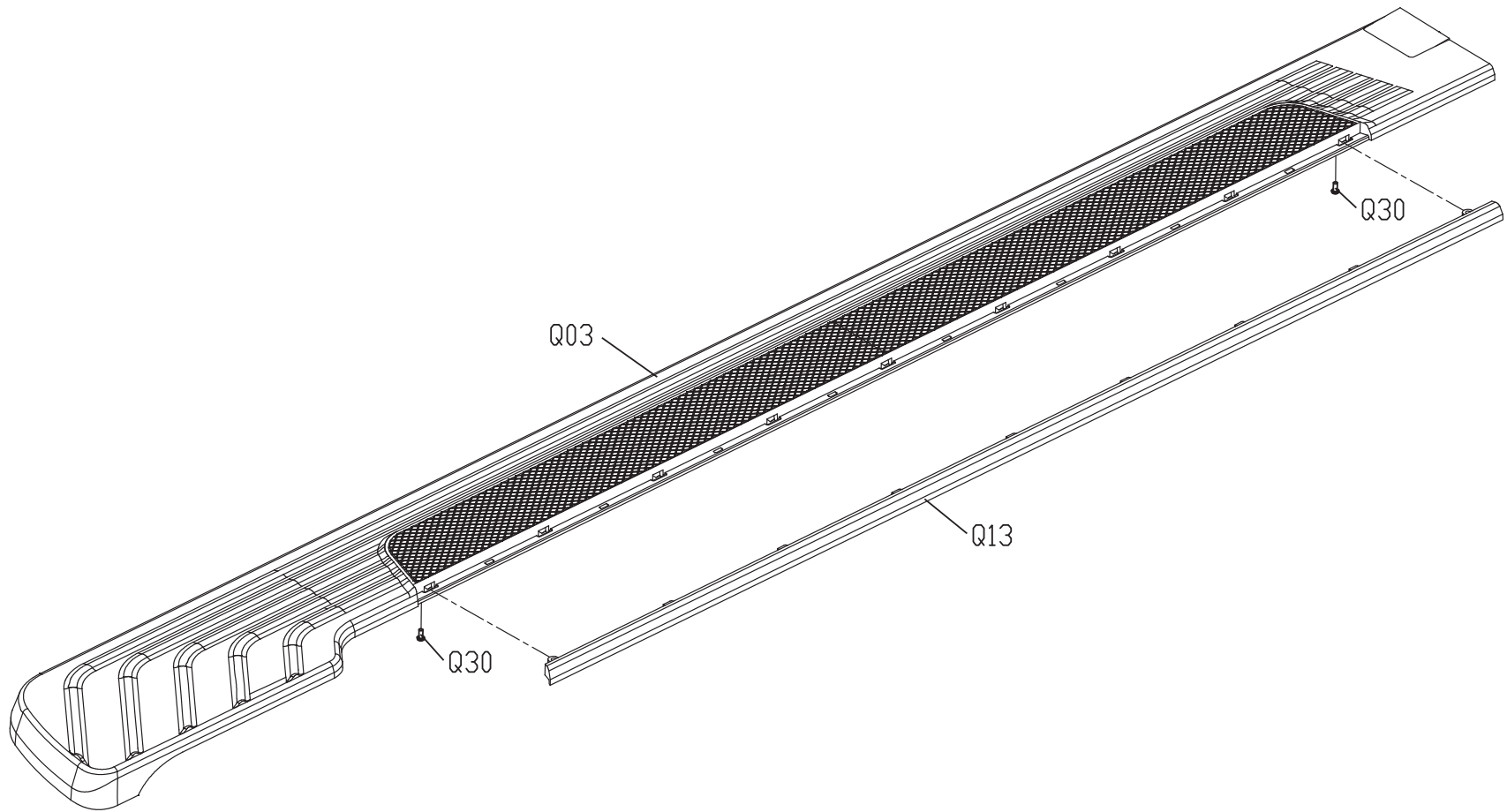
DRAWING NO	TM747-A10		
PART NAME	Handlebar Set		
PART NO	1000446643	REV	A
APPROVE	James	DATE	2019.11.11



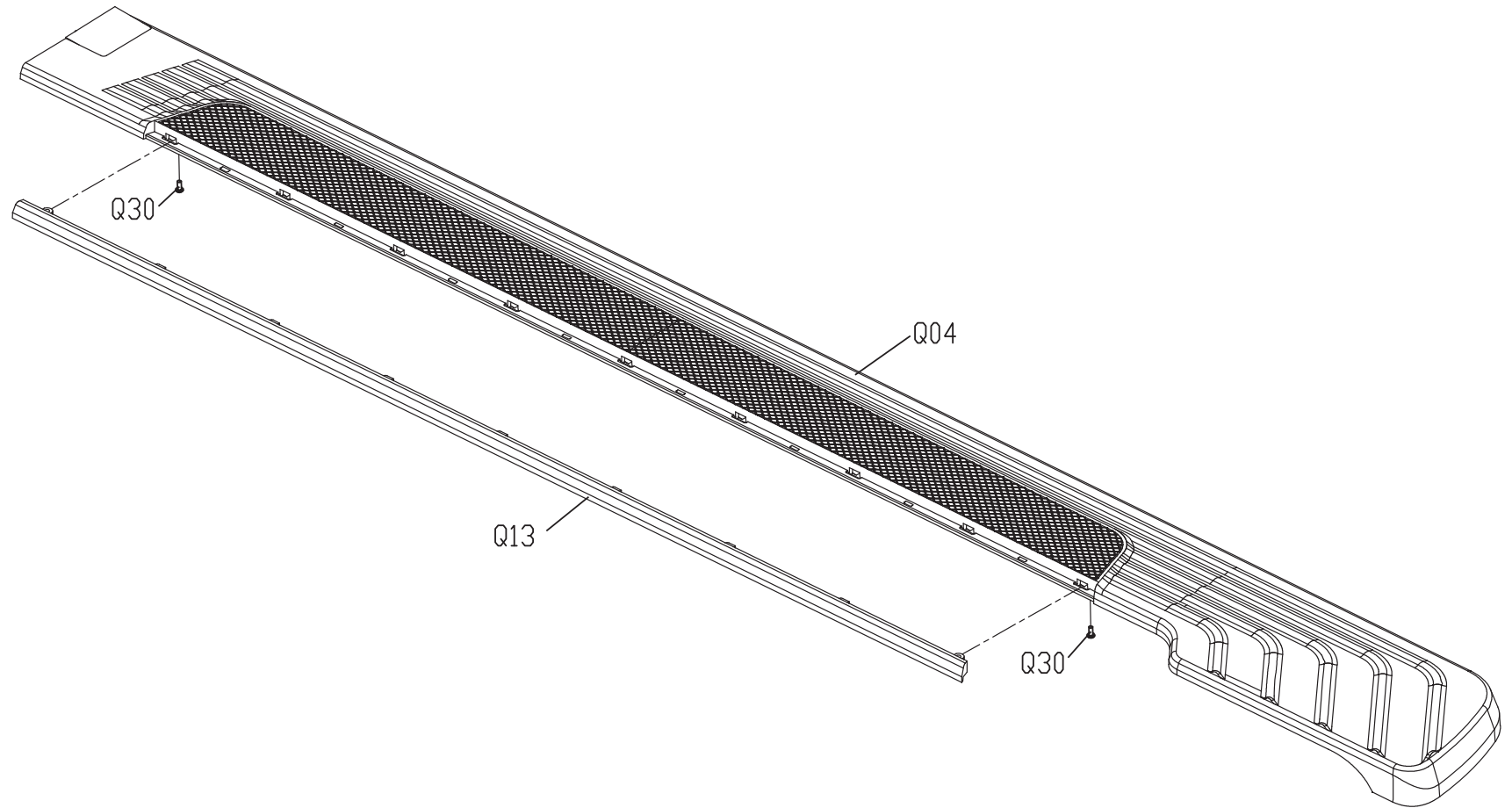
DRAWING NO	TM747-AQ1		
PART NAME	Motor Cover Set		
PART NO	1000434095	REV	A
APPROVE	James	DATE	2019.11.11



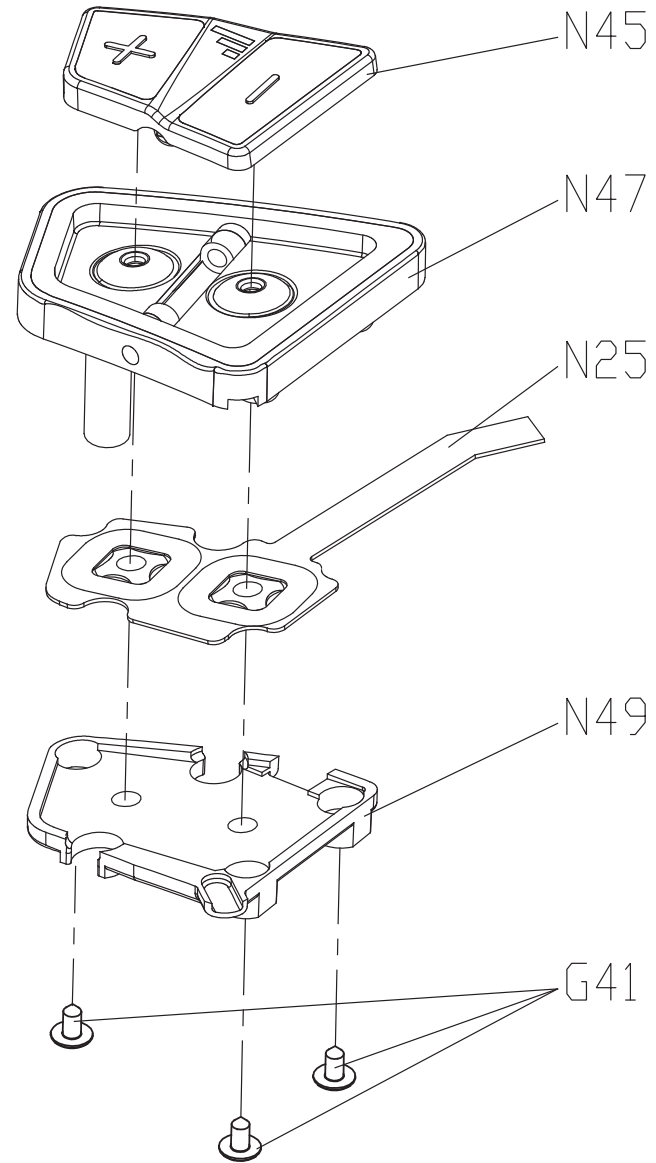
DRAWING NO	TM538-AQ3		
PART NAME	Side Rail Set;;left		
PART NO	1000433959	REV	B
APPROVE	Albert	DATE	062619



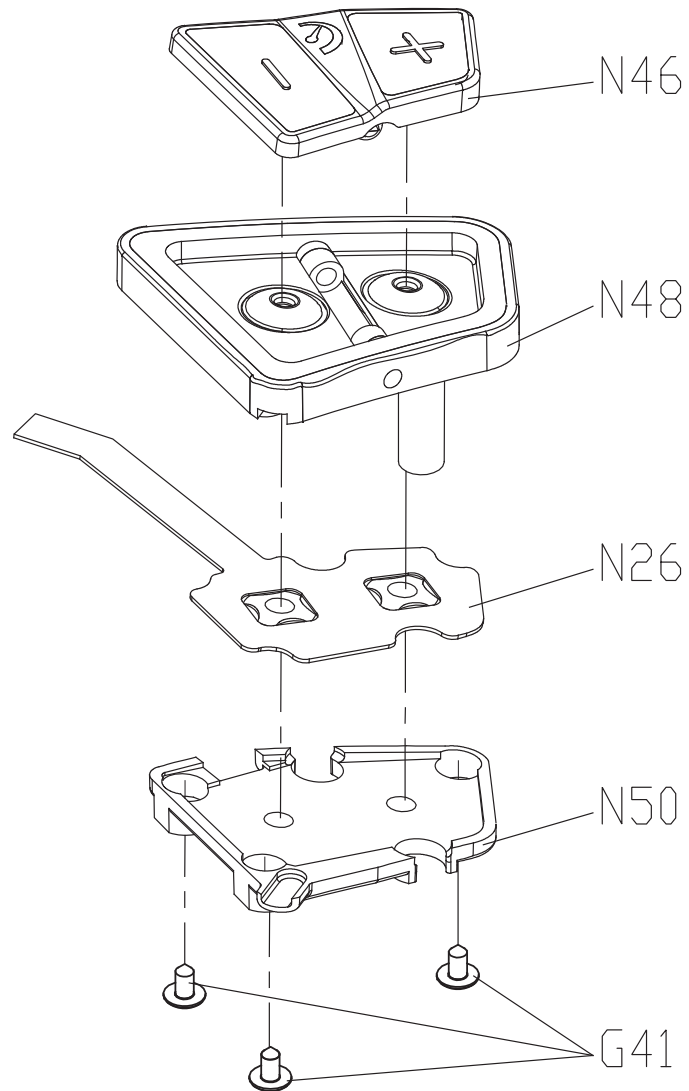
DRAWING NO	TM538-AQ4		
PART NAME	Side Rail Set;;right		
PART NO	1000433956 B		
APPROVE	Albert	DATE	062619



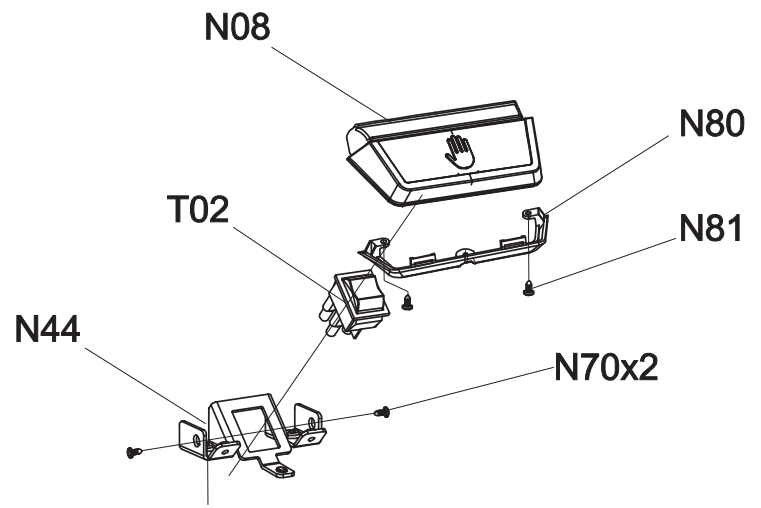
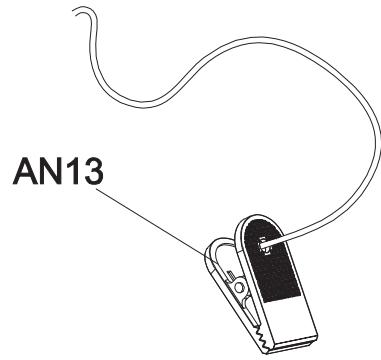
DRAWING NO	TM538-AG23		
PART NAME	Pulse Sensor Set;Quickly Key;left		
PART NO	1000437154 B		
APPROVE	Albert	DATE	062419




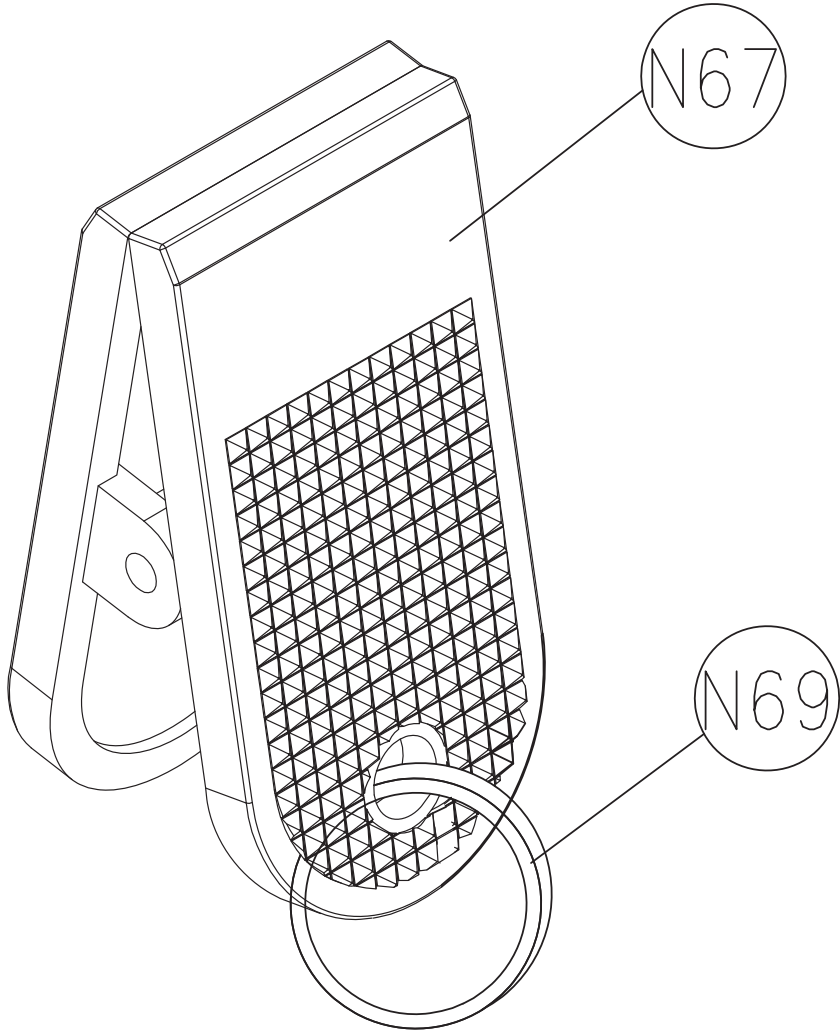
DRAWING NO	TM538-AG24		
PART NAME	Pulse Sensor Set:Quickly Key:right		
PART NO	1000437157/B		
APPROVE	Albert	DATE	062519



DRAWING NO	TM747-AN15		
PART NAME	Safety Key Set;;;TM747		
PART NO	1000446646	REV	A
APPROVE	James	DATE	2019.11.11



DRAWING NO	TM501-AN29		
PART NAME	Safety Switch Clip Set		
PART NO	1000231247		A
APPROVE	S.T.C	DATE	032612



DRAWING NO	TM501-AN13		
PART NAME	Safety Switch Set		
PART NO	1000231246		
APPROVE	SHUYI	DATE	070813

備註: 組裝後總長度(含夾子/鑰匙圈)860~870mm  
 Note: Length of assembly(Chip/Key ring)860~870mm

