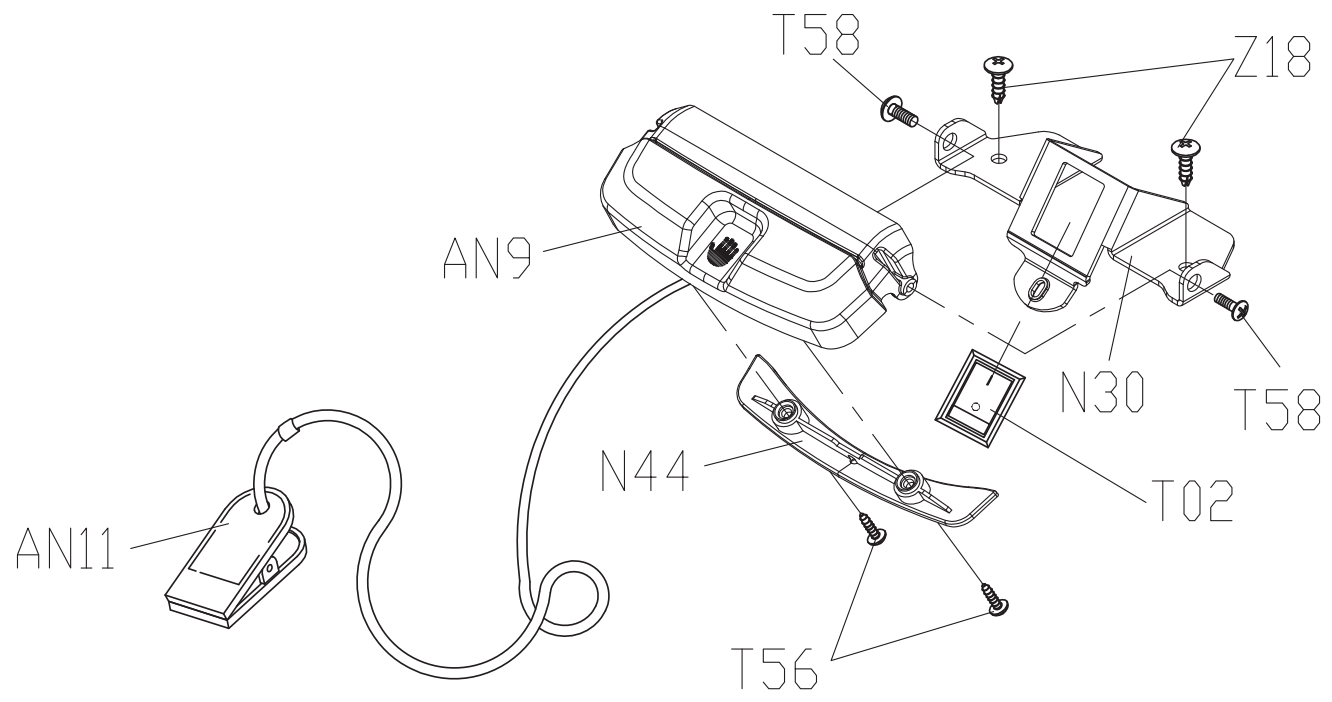
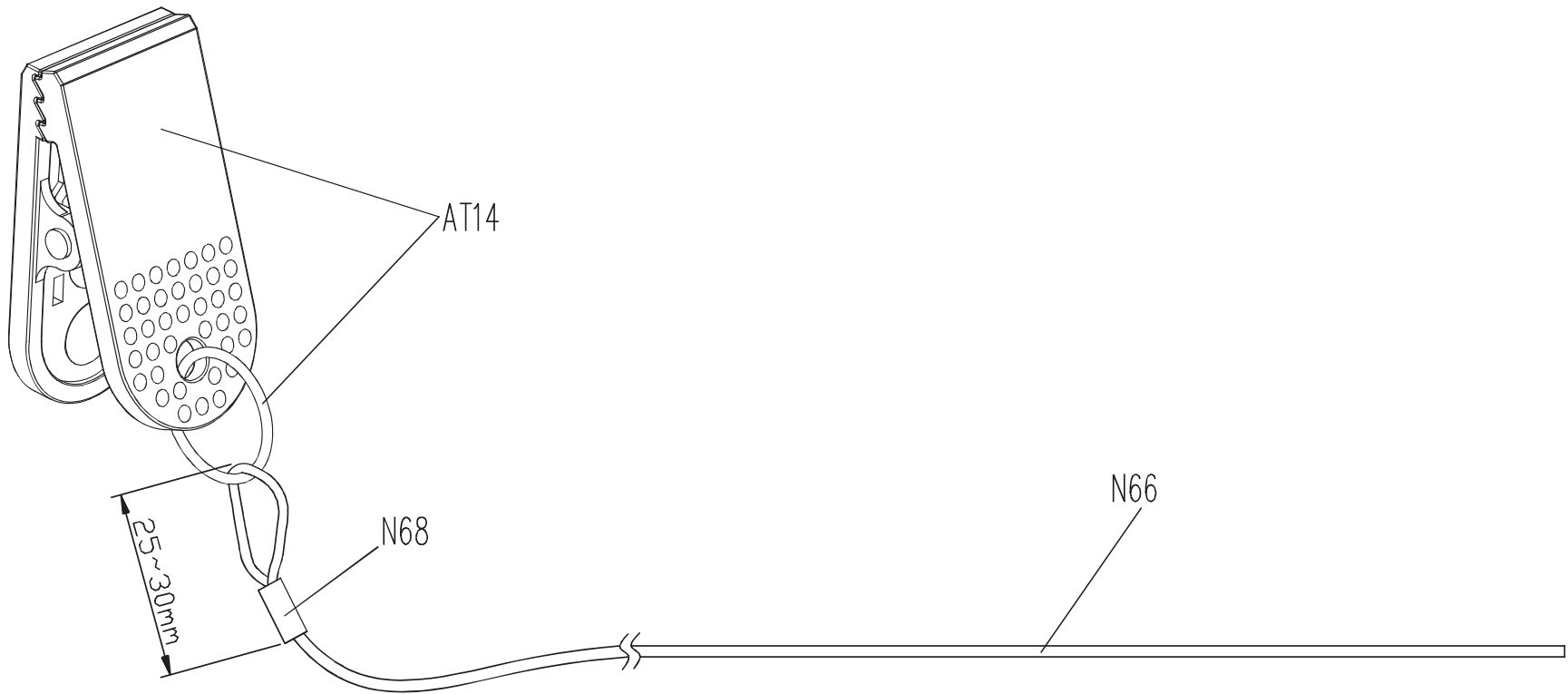


DRAWING NO	TM501-AT6		
PART NAME	SAFETY KEY SET		
PART NO	1000233602		
APPROVE	S.T.C	DATE	083112

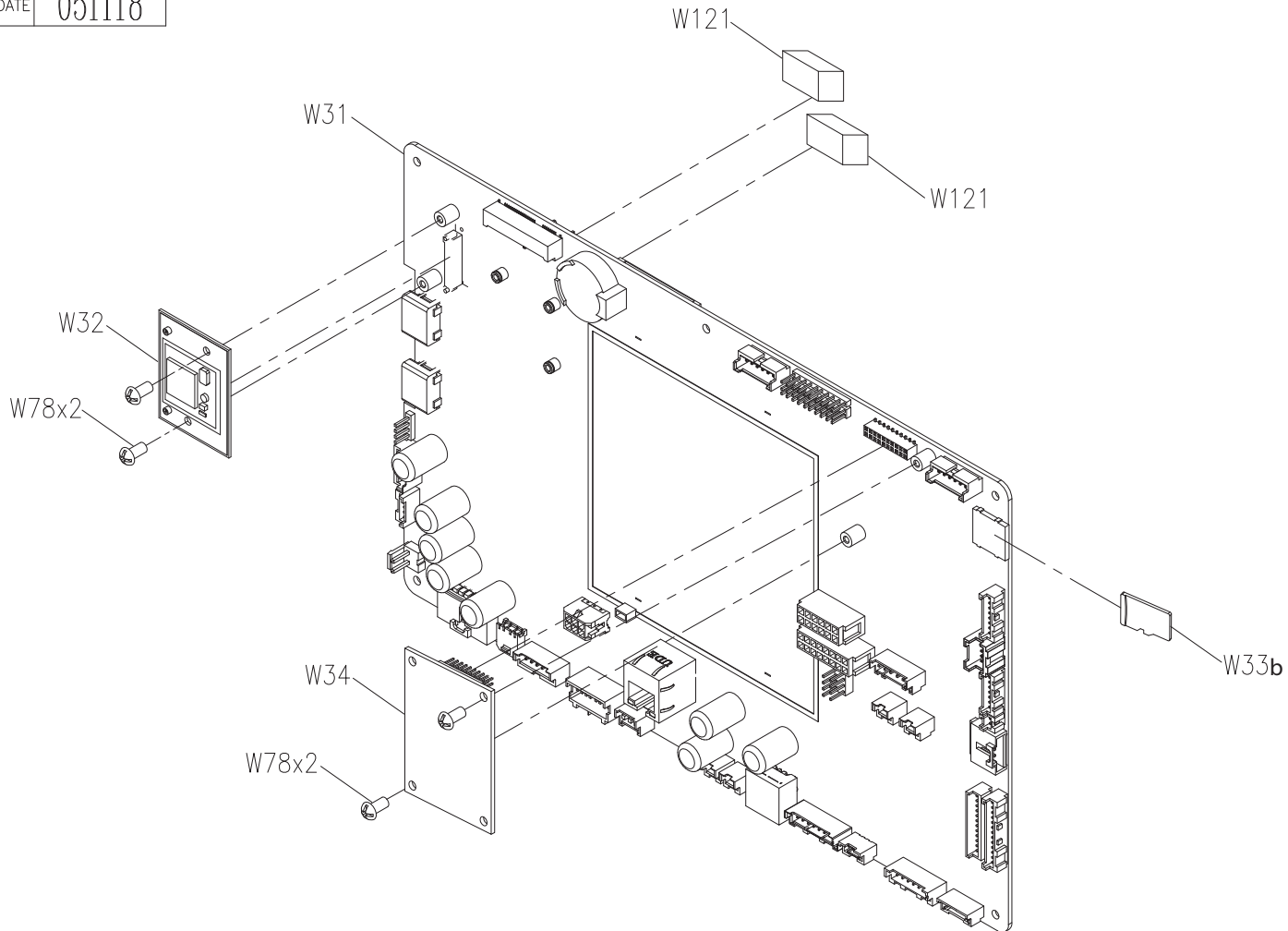


DRAWING NO	TM501-AT13	
PART NAME	Safety Switch Set	
PART NO	1000352475	B
APPROVE	JARVIS	DATE 100314

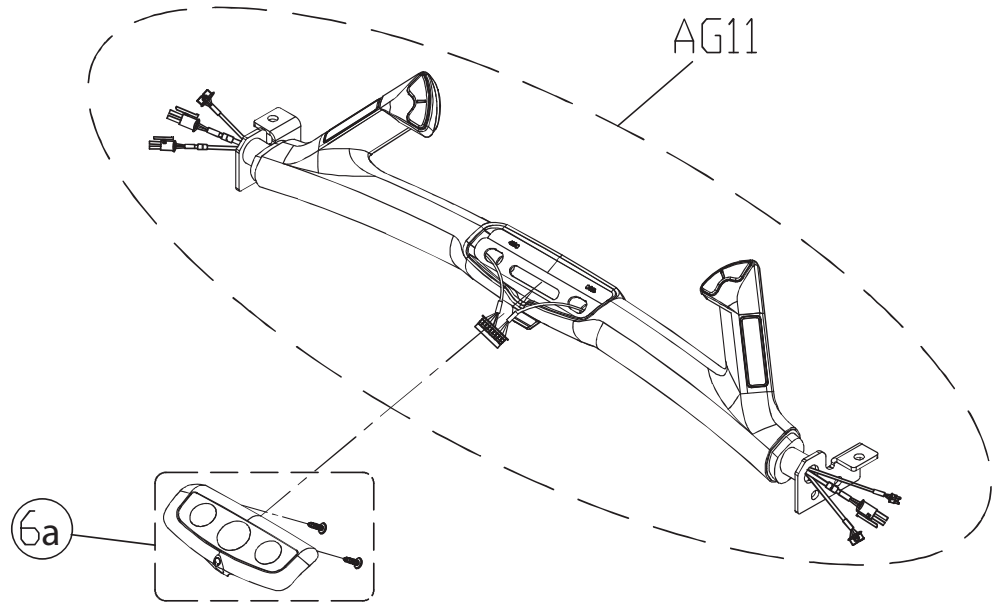
Note: Length of assembly(Chip/Key ring)860~870mm



DRAWING NO	TM527D-AW31		
PART NAME	Control Board Set		
PART NO	1000382032 <small>REV I</small>		
APPROVE	SHUYI	DATE	051118

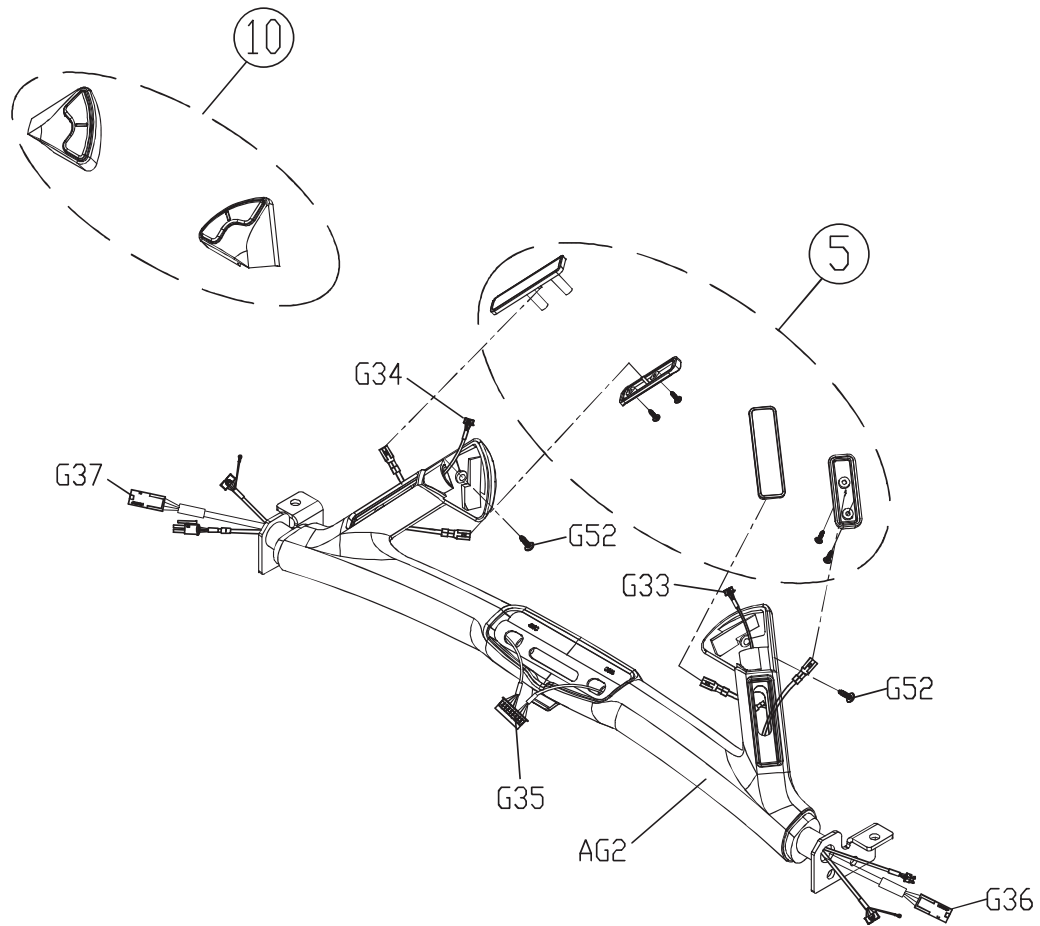


DRAWING NO	TM527-AG21		
PART NAME	Handlebar Set		
PART NO	As Attachment B		
APPROVE	SHUYI	DATE	052115

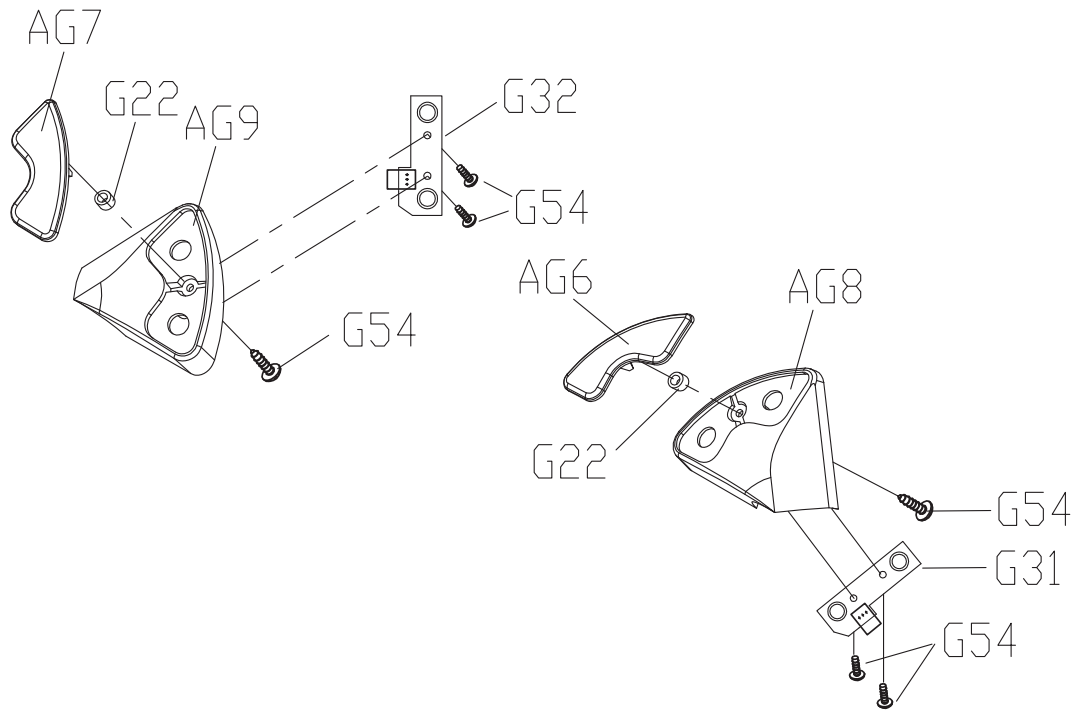


Part NO	Description
1000356217	Handlebar Set;English
1000361041	Handlebar Set;German
1000361043	Handlebar Set;Spanish
1000361045	Handlebar Set;Italian
1000361047	Handlebar Set;French
1000361050	Handlebar Set;Dutch
1000361052	Handlebar Set;Polish
1000361054	Handlebar Set;Portuguese
1000356360	Handlebar Set;Japan

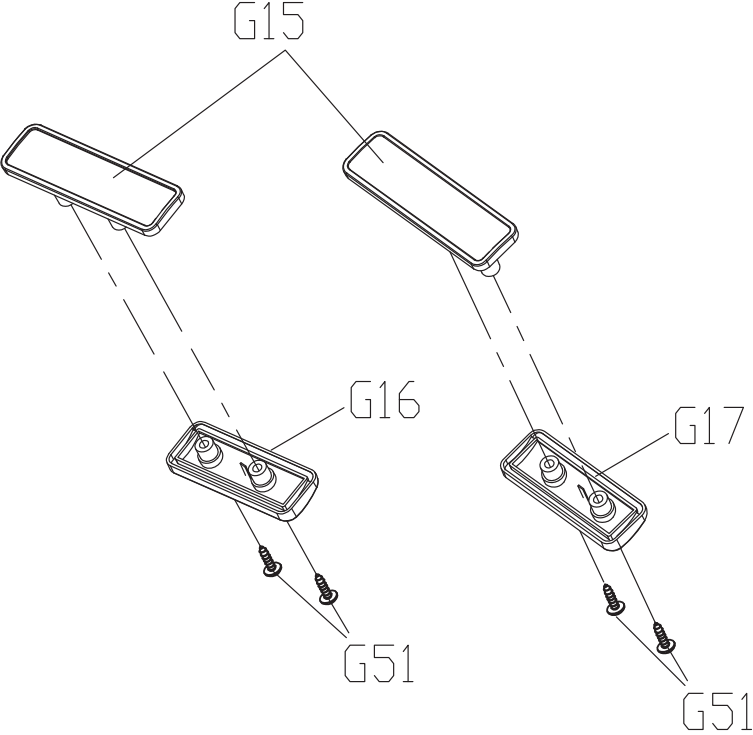
DRAWING NO	TM527-AG11		
PART NAME	Handlebar Set		
PART NO	1000356383	REV	C
APPROVE	Hsinyen	DATE	030915



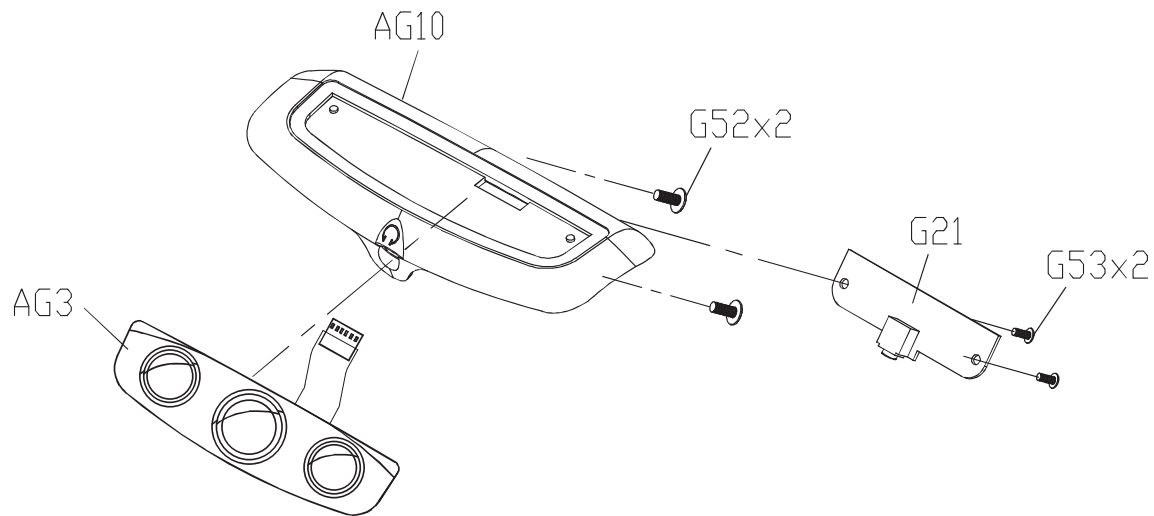
DRAWING NO	TM502-AG12		
PART NAME	Quick Key Set		
PART NO	0000089687 B		
APPROVE	SHUYI	DATE	101211



DRAWING NO	TM502-AG13		
PART NAME	HR Grip Cover Set		
PART NO	0000091816	REV	A
APPROVE	SHUYI	DATE	07.26.10



DRAWING NO	TM527-AG22		
PART NAME	Quick Start Overlay Set		
PART NO	As Attachment 		
APPROVE	Heady	DATE	060116



Part NO	Description
1000385846	ES/MS;English;T-7xe-05-C
1000385847	MS;German;T-7xe-05-C
1000385848	MS;Spanish;T-7xe-05-C
1000385849	MS;Italian;T-7xe-05-C
1000385850	MS;French;T-7xe-05-C
1000385851	MS;Dutch;T-7xe-05-C
1000385852	MS;Polish;T-7xe-05-C
1000385853	MS;Portuguese;T-7xe-05-C
1000385854	MS;Japan;T-7xe-05-C

DRAWING NO	TM527K-AW32
PART NAME	Gymkit;TM527K
PART NO	1000421640
APPROVE	Allen
DATE	062018

