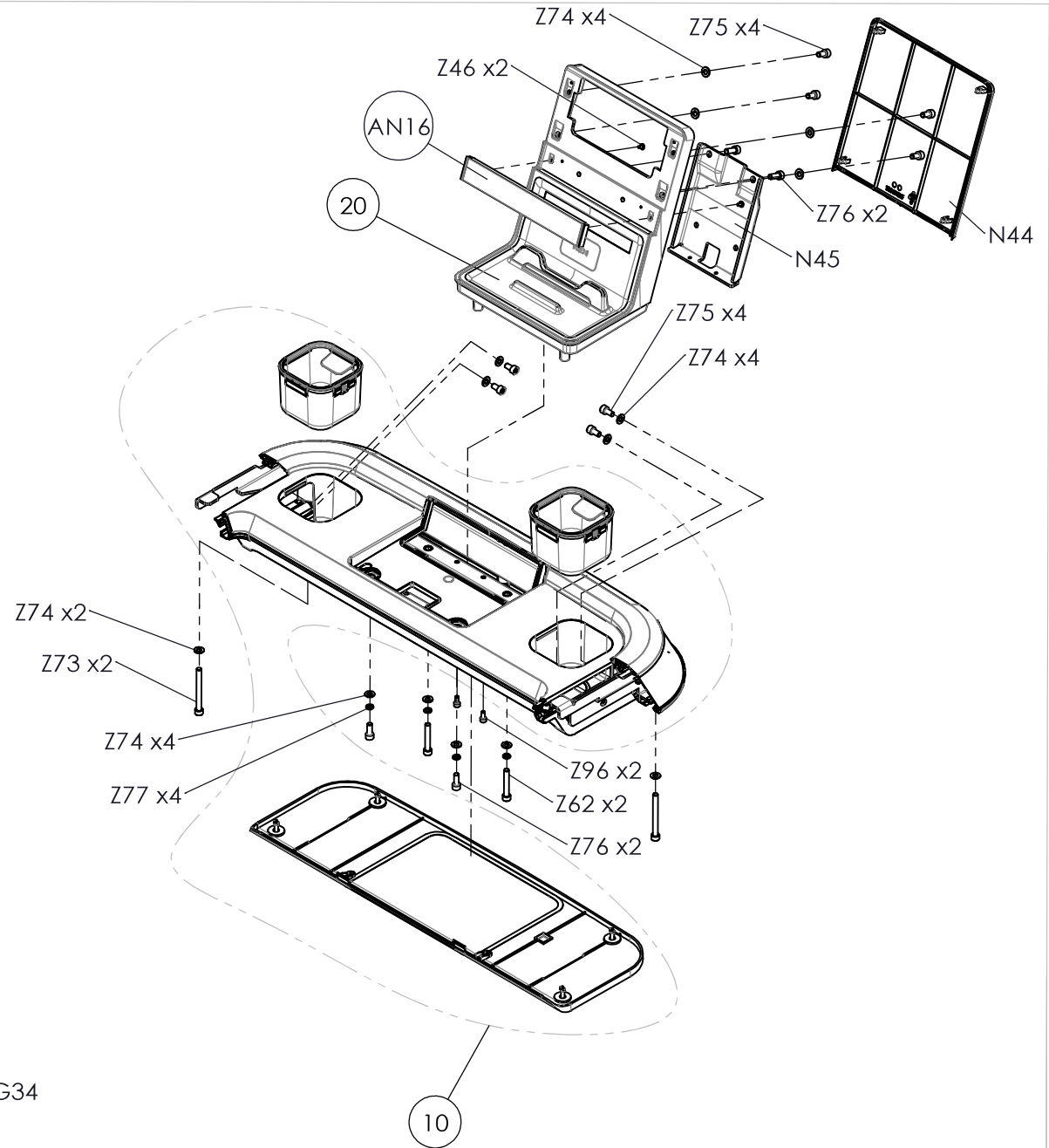
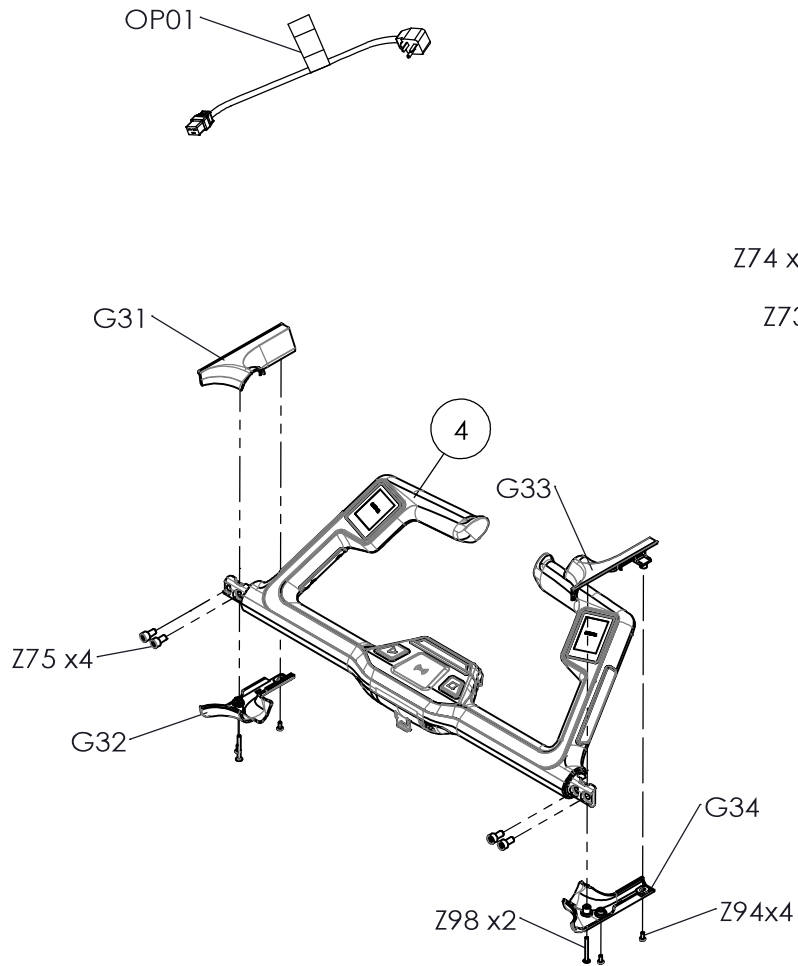
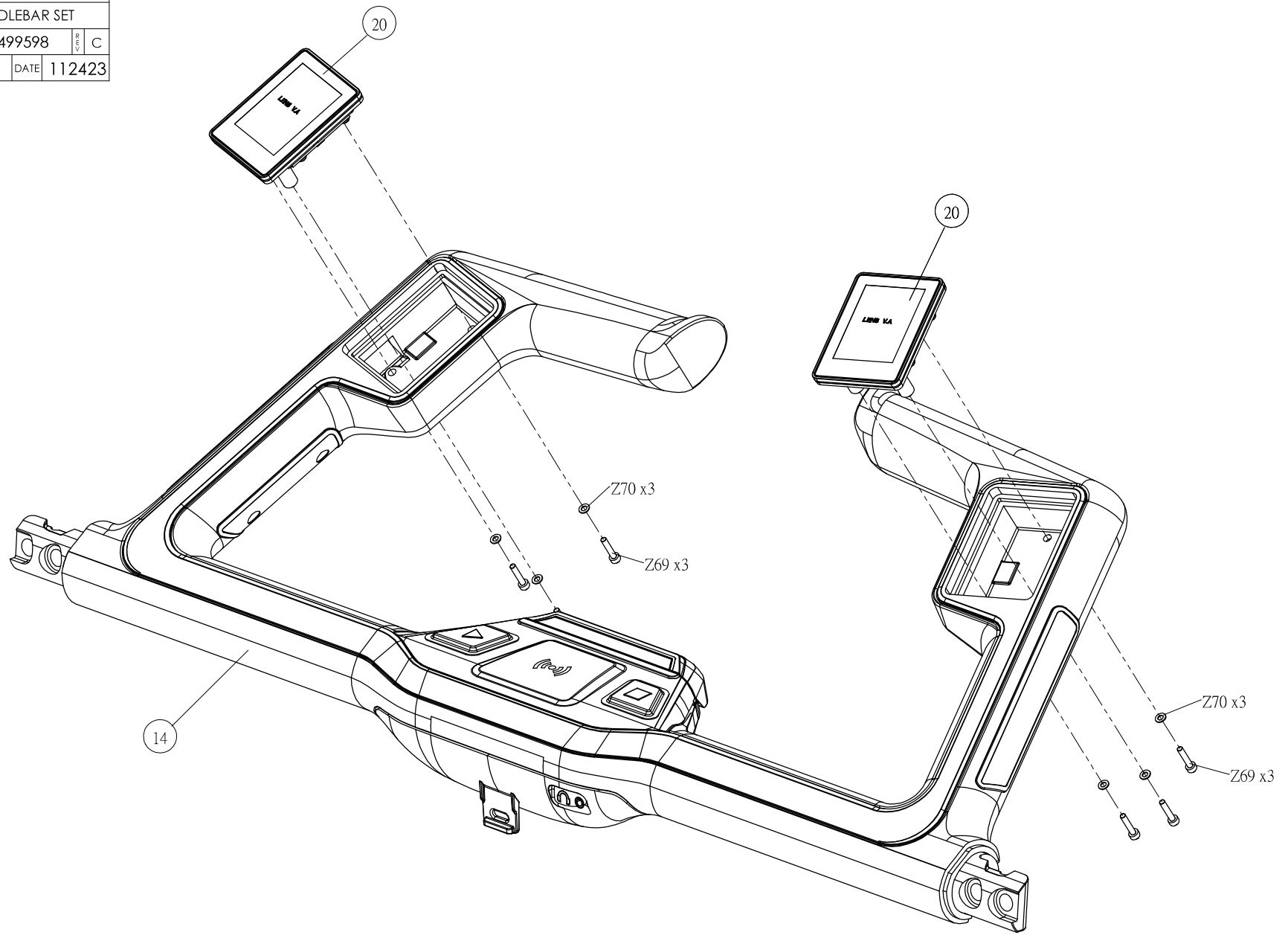


DRAWING NO	TM552-A04		
PART NAME	EXPLOSIVE DIAGRAM		
PART NO	1000492482	REV	C
APPROVE	MING	DATE	010225

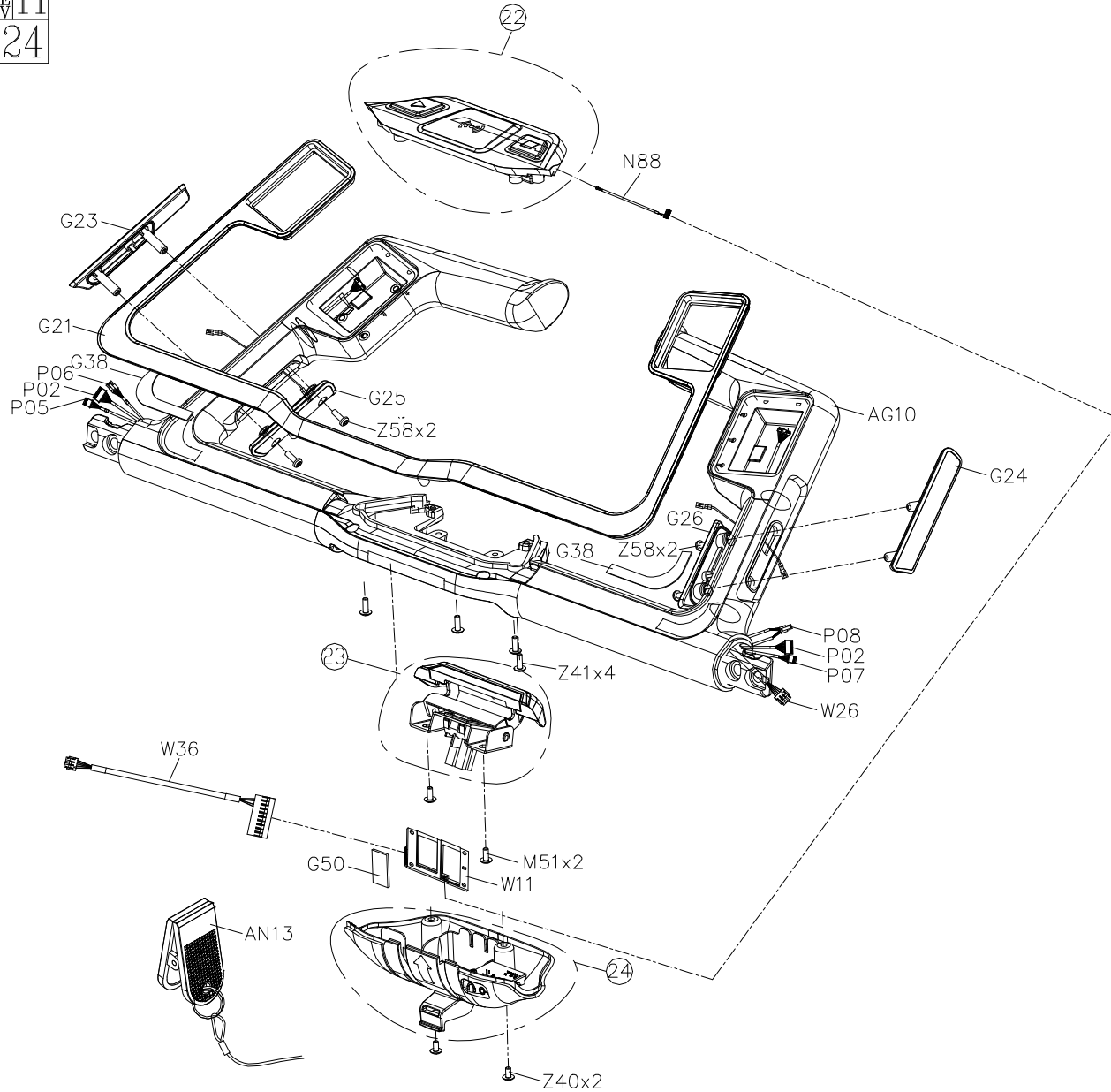
SAP NO
MTM3840-00
MTM3841-00
MTM3842-00
MTM3843-00
MTM3844-00
MTM3845-00
MTM3846-00



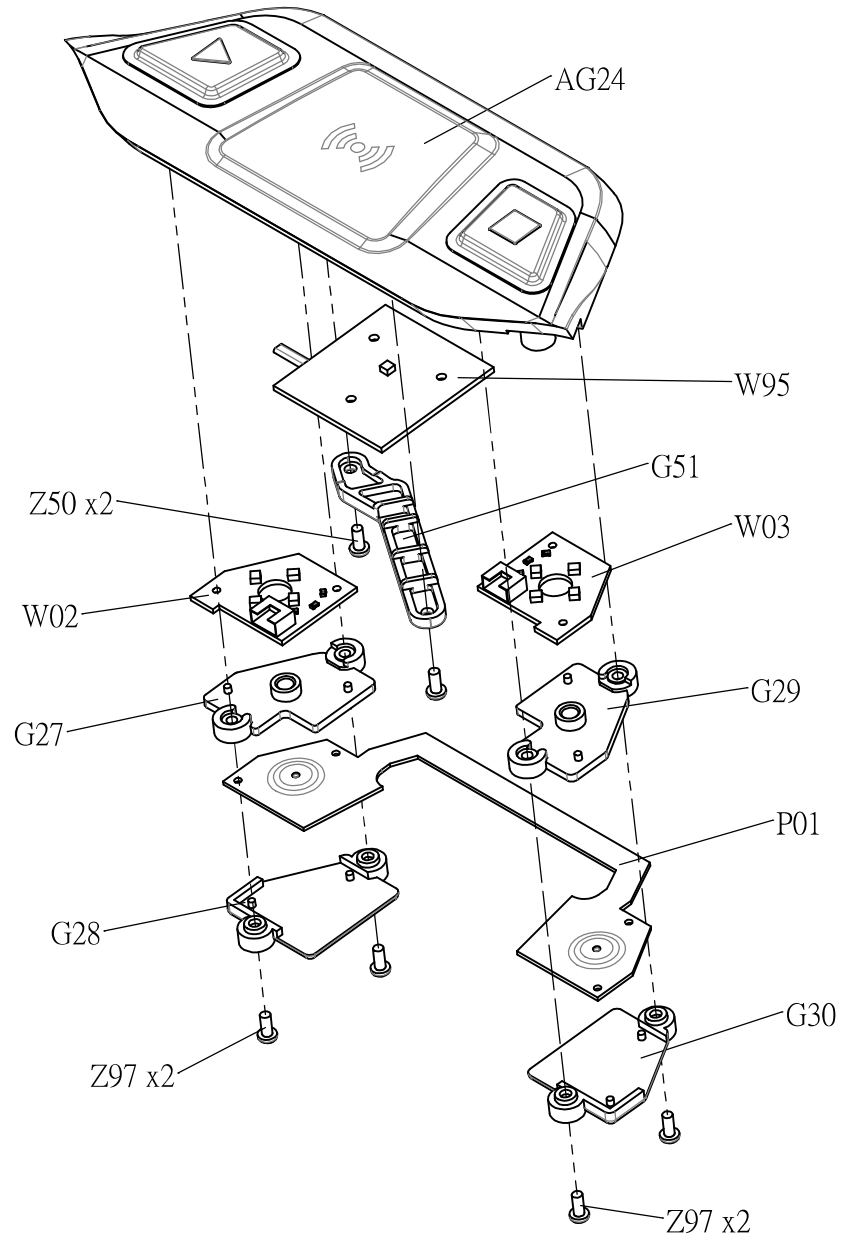
DRAWING NO	TM552-AG21		
PART NAME	HANDLEBAR SET		
PART NO	1000499598	REV	C
APPROVE	SAM	DATE	112423



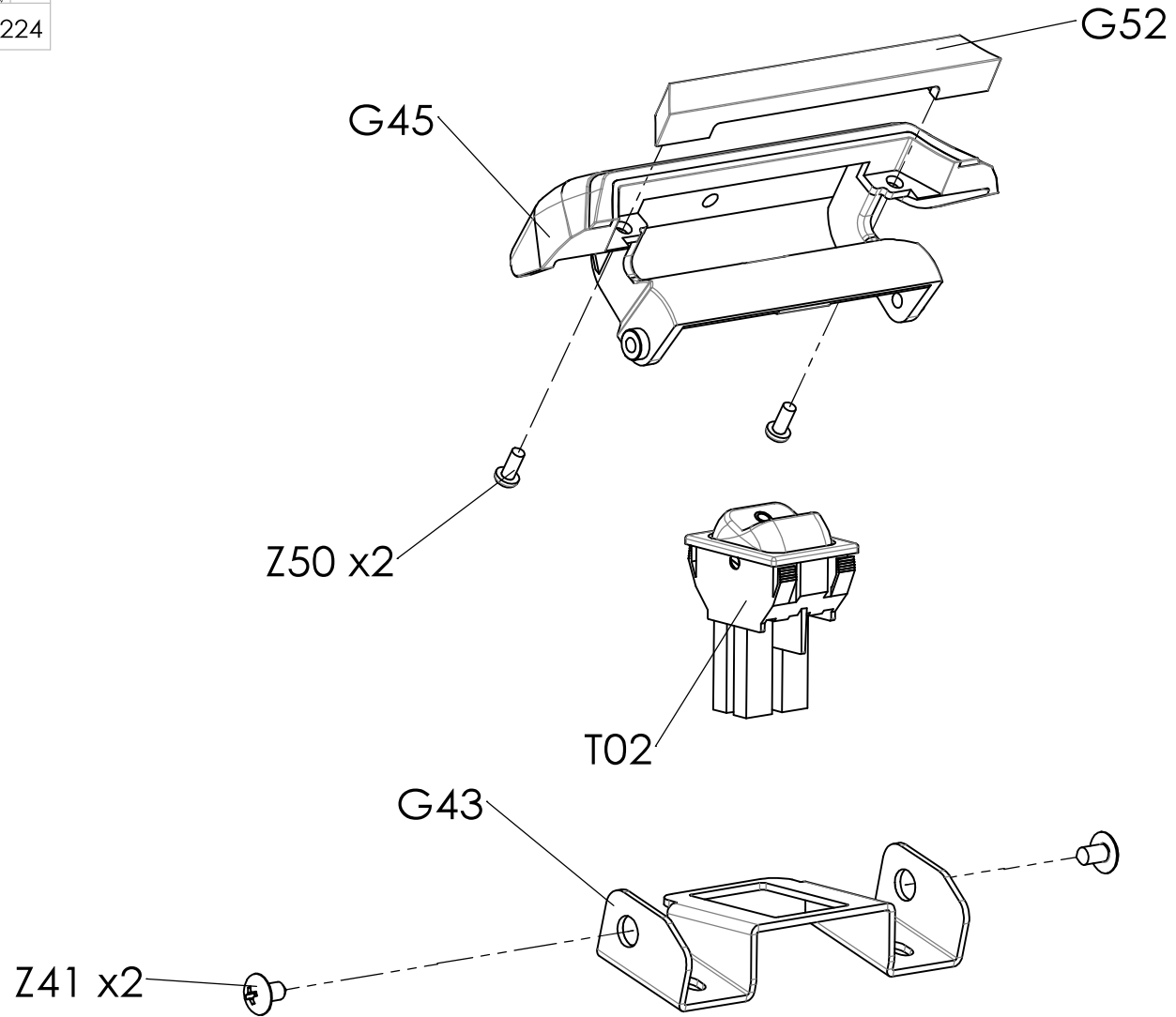
DRAWING NO	TM552-AG11		
PART NAME	HANDLEBAR SET		
PART NO	1000467705	REV	H
APPROVE	Allen	DATE	120924



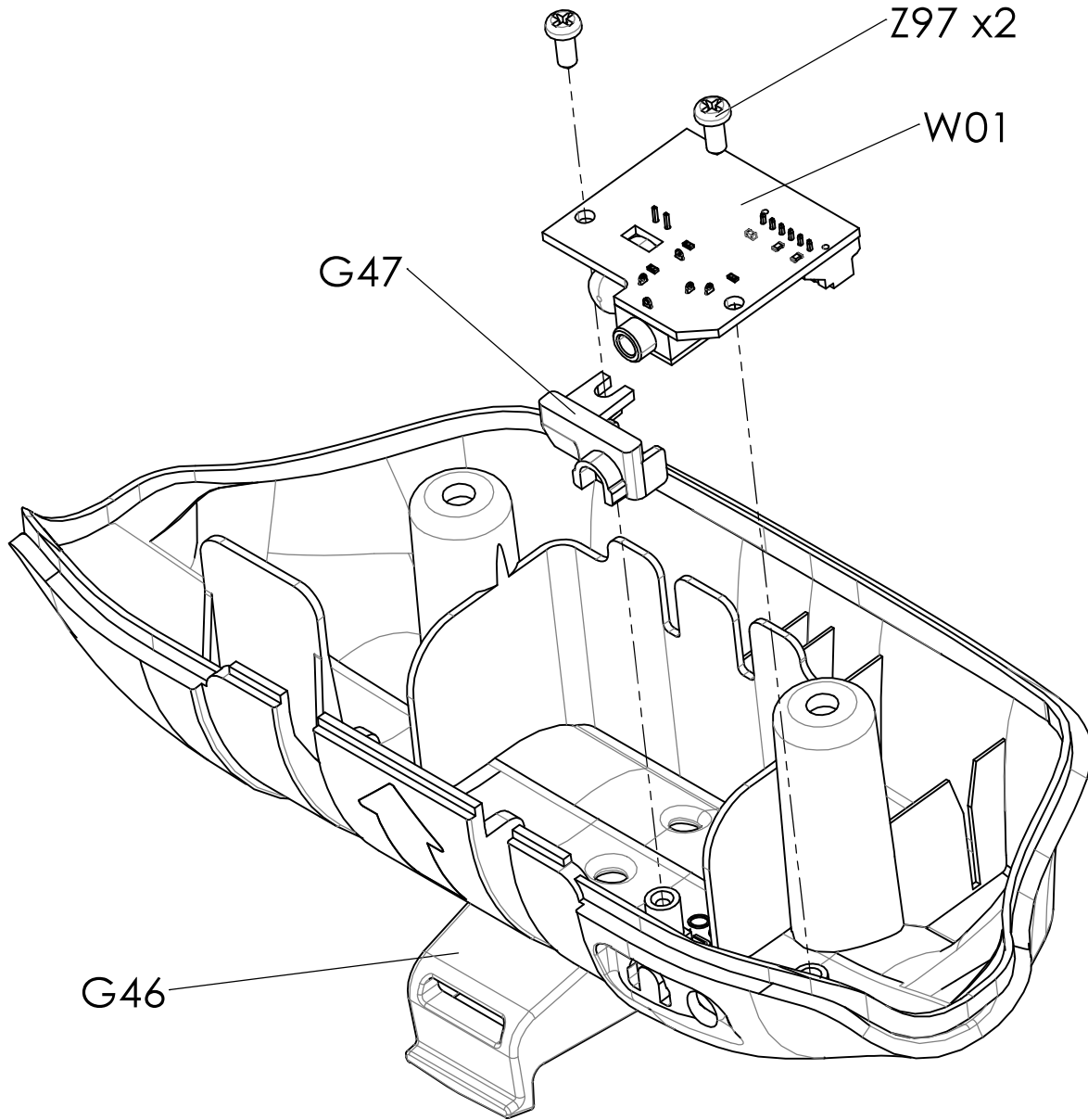
DRAWING NO	TM552-AG20		
PART NAME	QUICK KEY SET		
PART NO	1000477100	M 30 V	A
APPROVE	SAM	DATE	070323



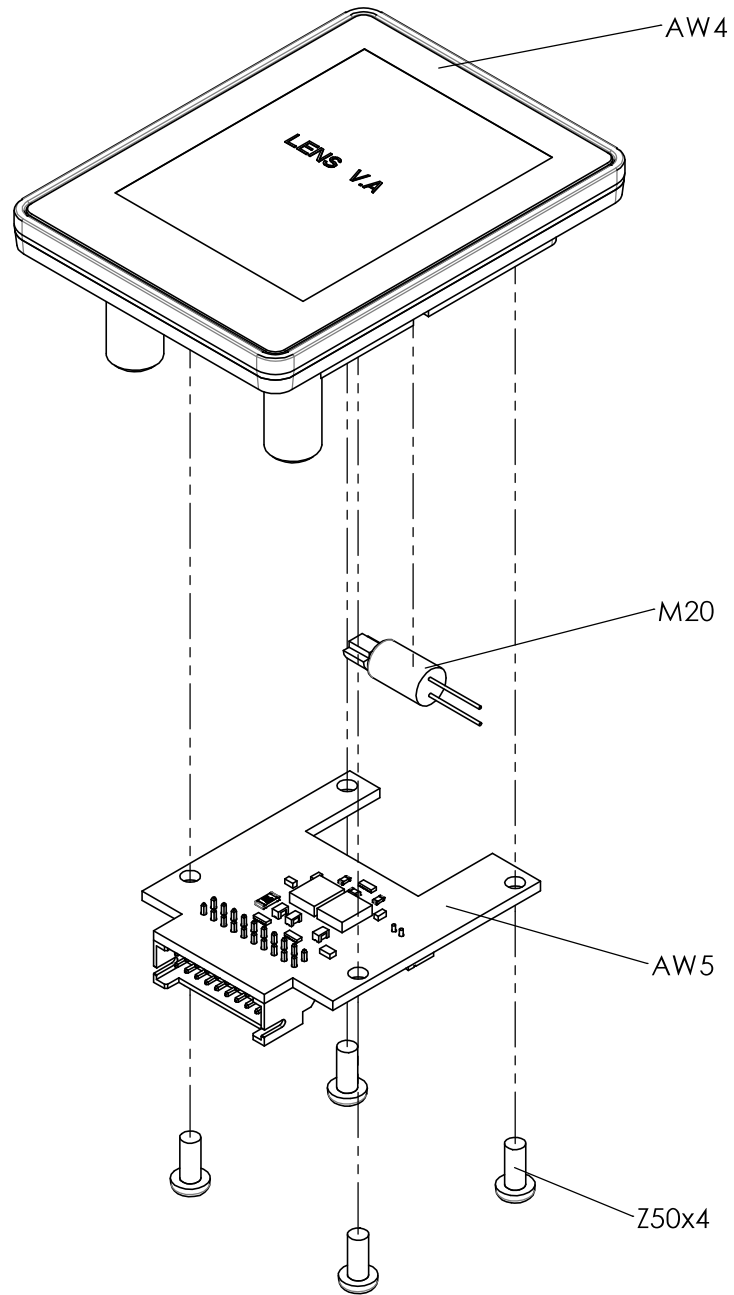
DRAWING NO	TM552-AG23						
PART NAME	SAFETY KEY SET						
PART NO	1000477101	<table border="1"><tr><td>M</td><td>R</td></tr><tr><td>V</td><td></td></tr></table>	M	R	V		C
M	R						
V							
APPROVE	SAM	DATE	032224				



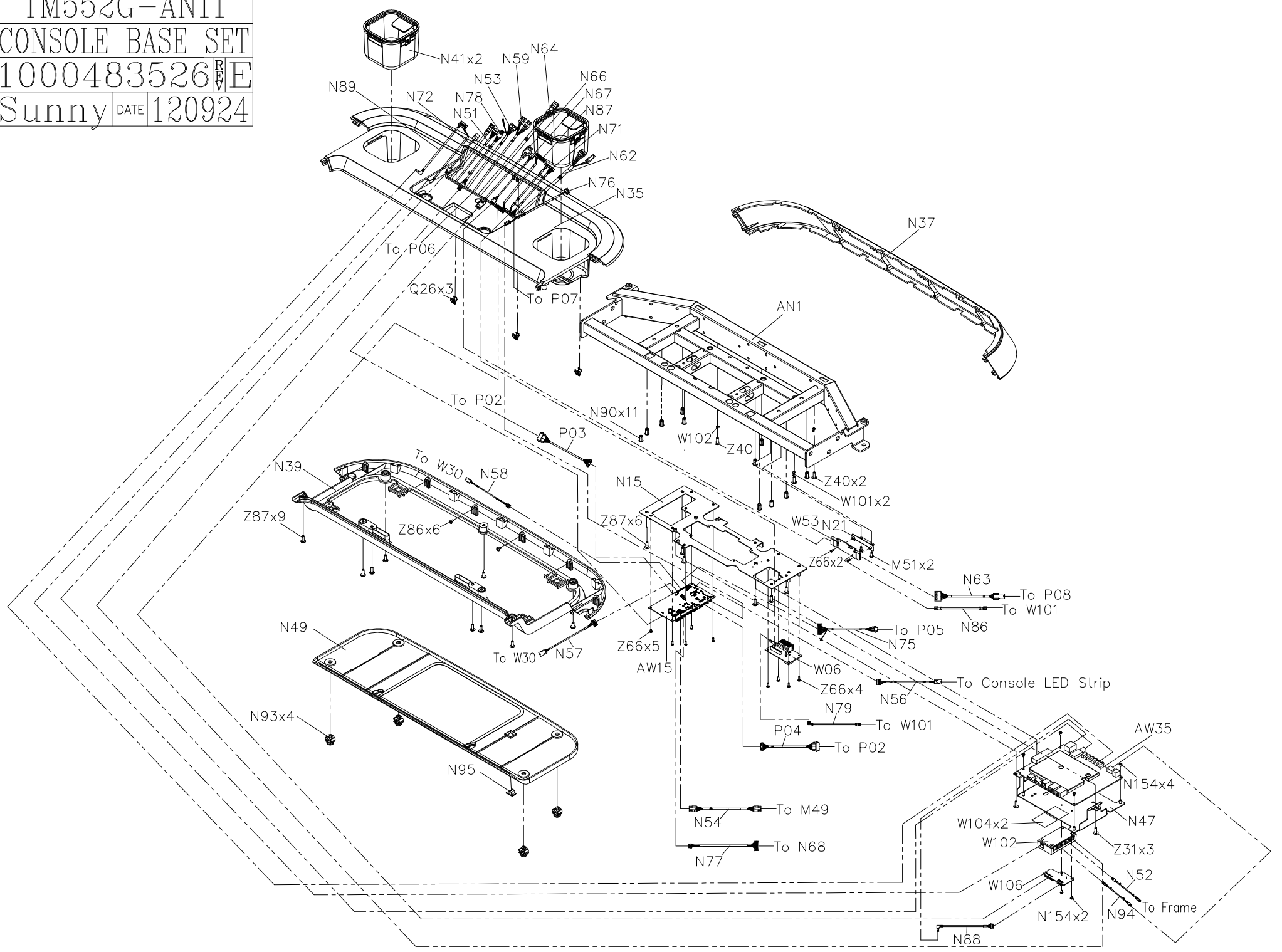
DRAWING NO	TM552-AG12		
PART NAME	EARPHONE BOARD SET		
PART NO	1000477102	<small>REV</small>	C
APPROVE	SAM	DATE	090423



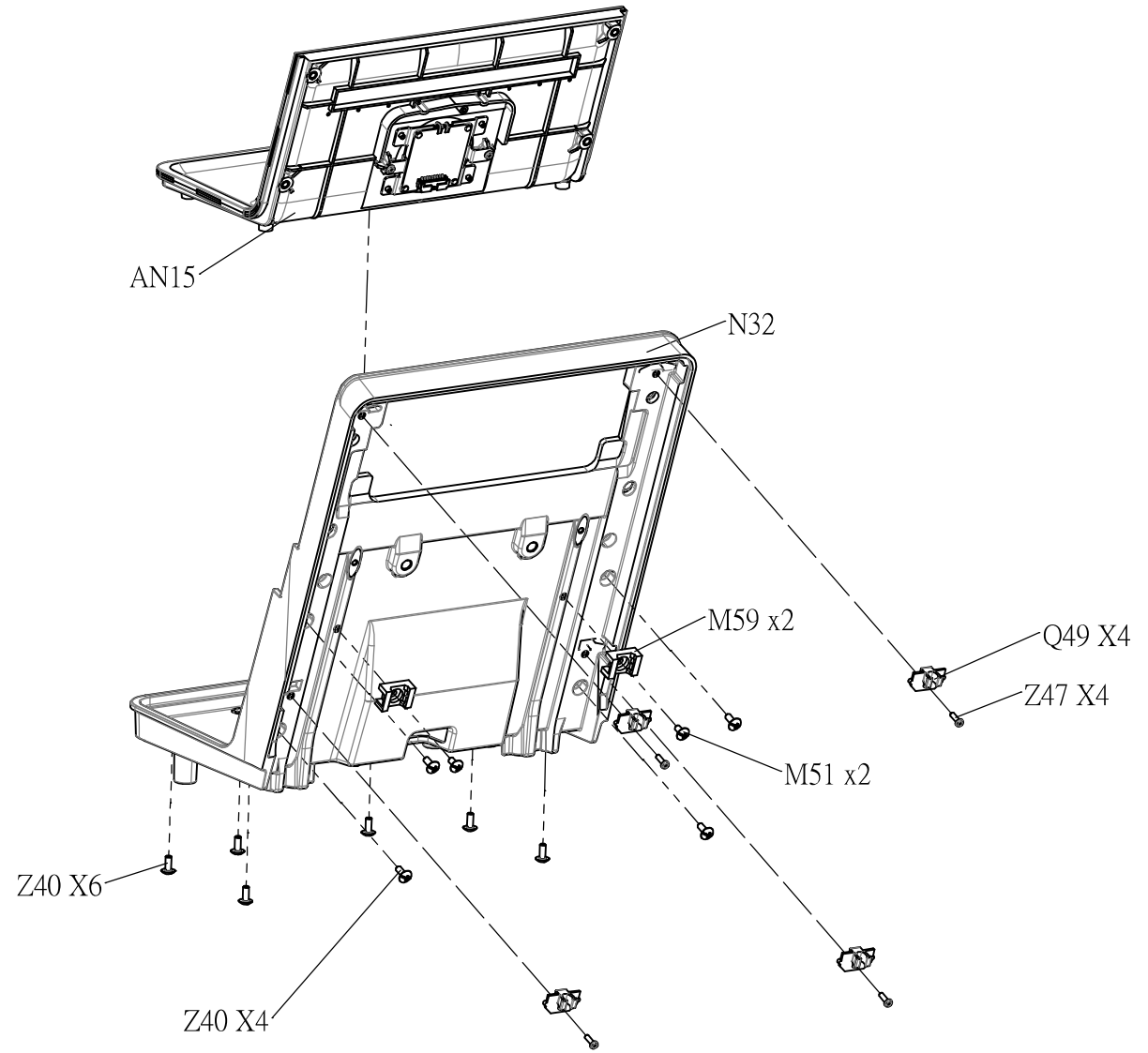
DRAWING NO	TM545-AW14		
PART NAME	CONSOLE OVERLAY COVER SET		
PART NO	1000467756	REV	B
APPROVE	SAM	DATE	072523



DRAWING NO	TM552G-AN11		
PART NAME	CONSOLE BASE SET		
PART NO	1000483526	REV	E
APPROVE	Sunny	DATE	120924



DRAWING NO	TM552-AN12		
PART NAME	FIXING BASE SET;CONSOLE		
PART NO	1000481083	REV	C
APPROVE	SAM	DATE	091224



DRAWING NO	TM552-AN15		
PART NAME	CHARGER SET		
PART NO	1000467794	<small>REV</small>	B
APPROVE	MING	DATE	091224

