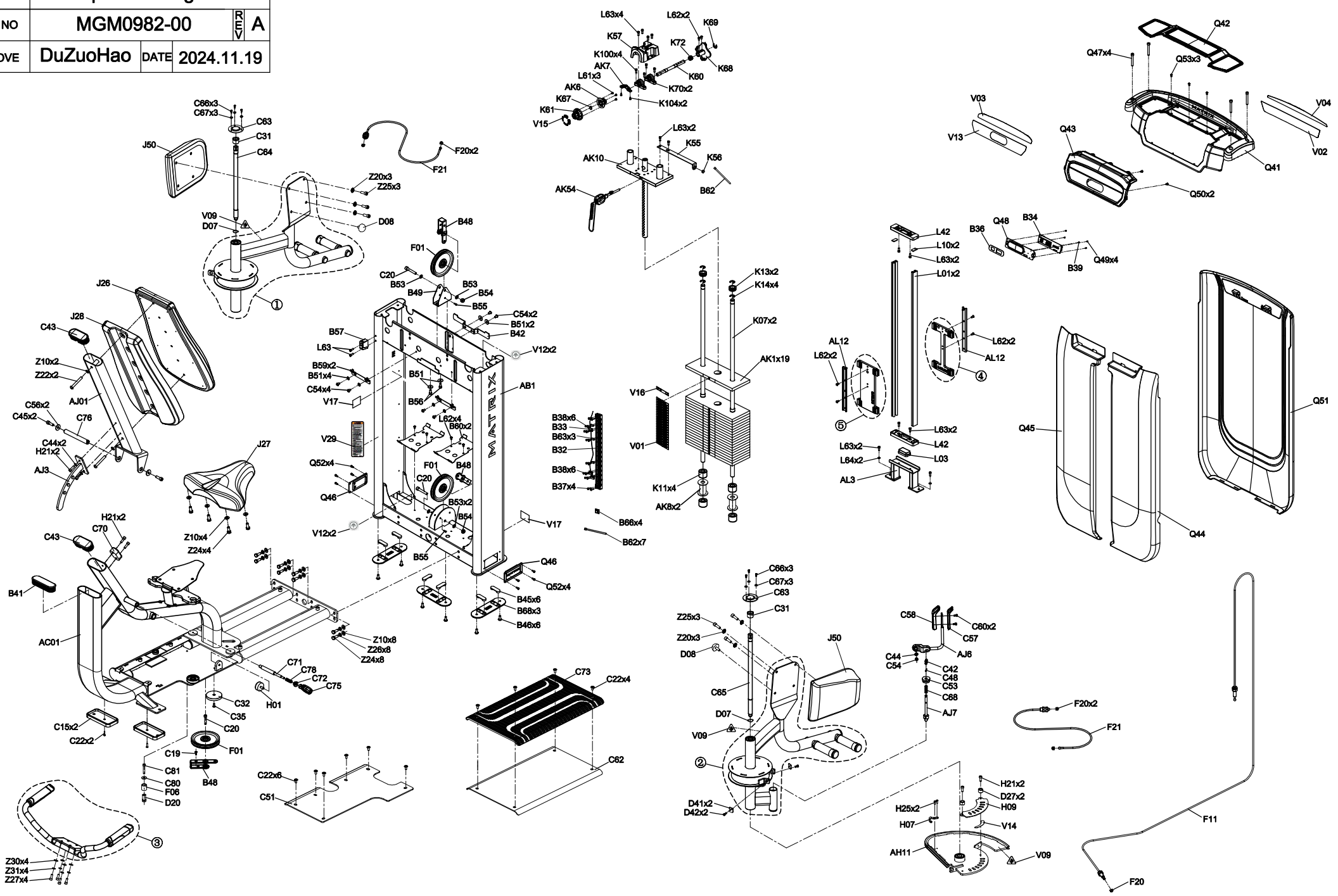
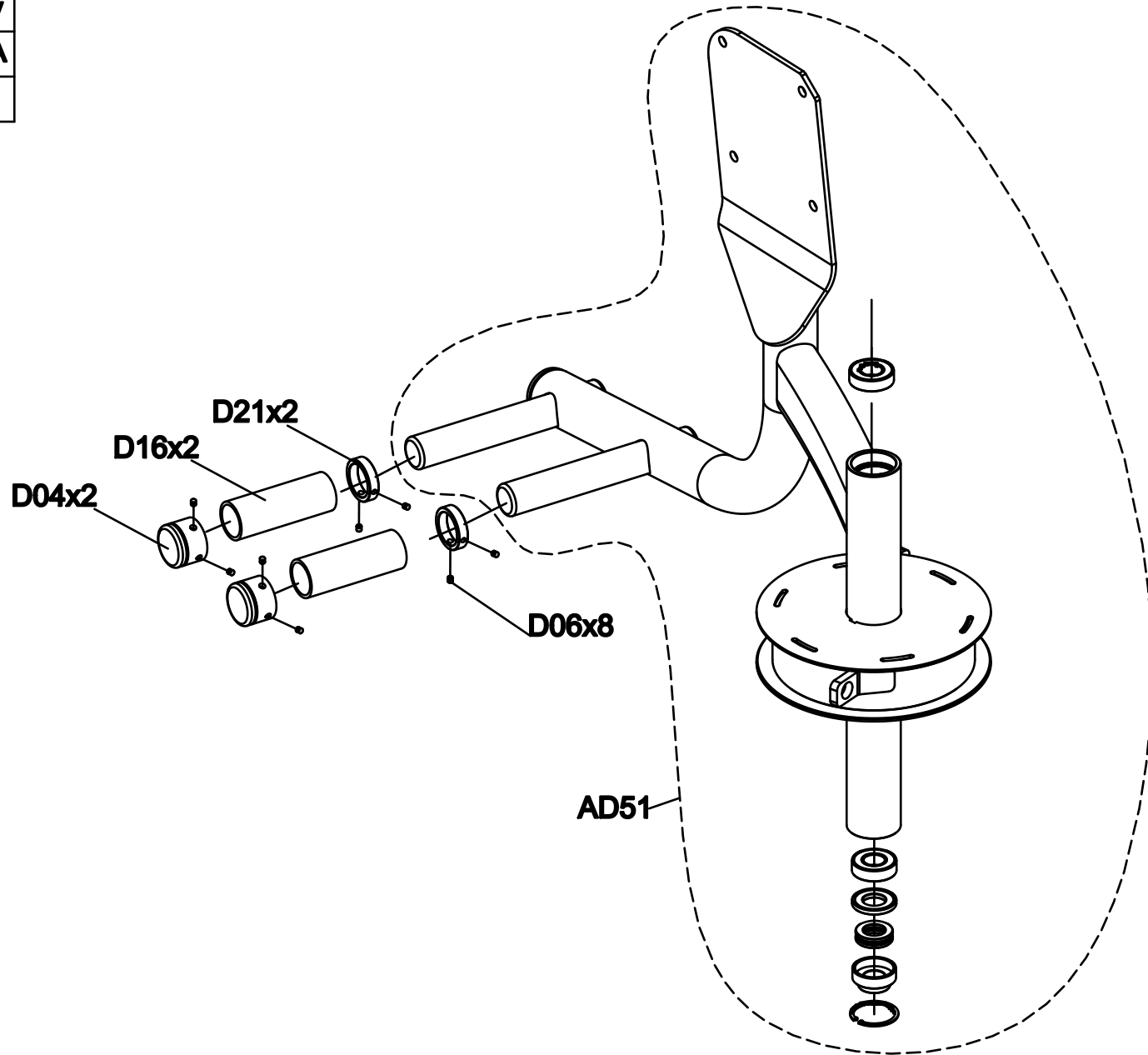


DRAWING NO	PG7GM120H-KM		
PART NAME	Explosive Diagram		
PART NO	MGM0982-00	REV	A
APPROVE	DuZuoHao	DATE	2024.11.19



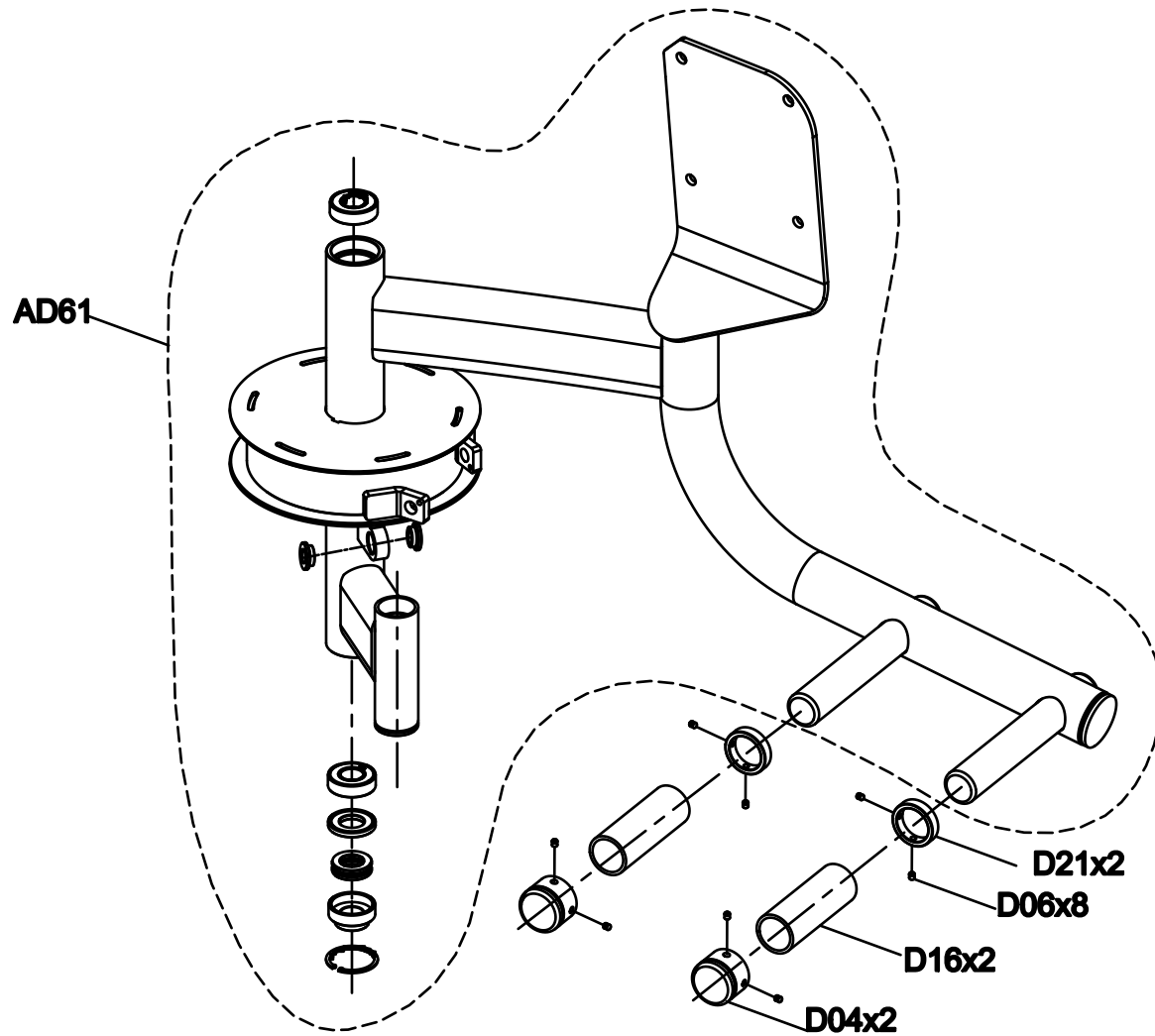
DRAWING NO	GM120-AD05		
PART NAME	Swivel arm set;L;Assembly		
PART NO	See Chart	REV	A
APPROVE	ouyanggang	DATE	08.11.2020

Part NO.	Color
1000414754	Iced Sliver
1000414755	Platinum
1000414757	Polarized Titanium
1000414758	Lace White
1000414759	Pearl White
1000414760	Mat Black
1000414761	Black Glossy
1000427235	PF Purple
1000430652	White Tube
1000433049	O-PF Purple
1000440601	PF Yellow RAL1023
1000456990	Graphite Grey



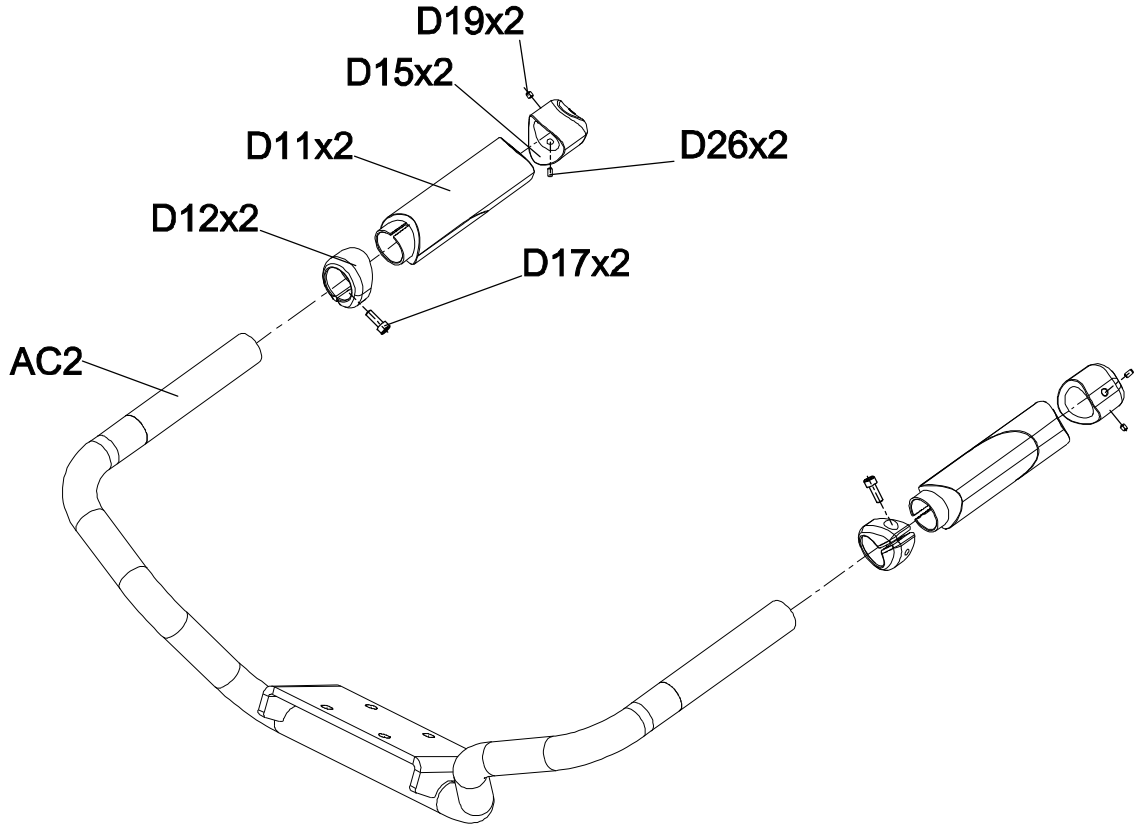
DRAWING NO	GM120-AD06		
PART NAME	Swivel arm set;R;Assembly		
PART NO	See Chart	REV	A
APPROVE	Ouyanggang	DATE	08.11.2020

Part NO.	Color
1000414787	Iced Silver
1000414788	Platinum
1000414789	Polarized Titanium
1000414790	Lace White
1000414791	Pearl White
1000414792	Mat Black
1000414793	Black Glossy
1000427238	PF Purple
1000430653	White Tube
1000433052	O-PF Purple
1000440602	PF Yellow RAL1023
1000456994	Graphite Grey

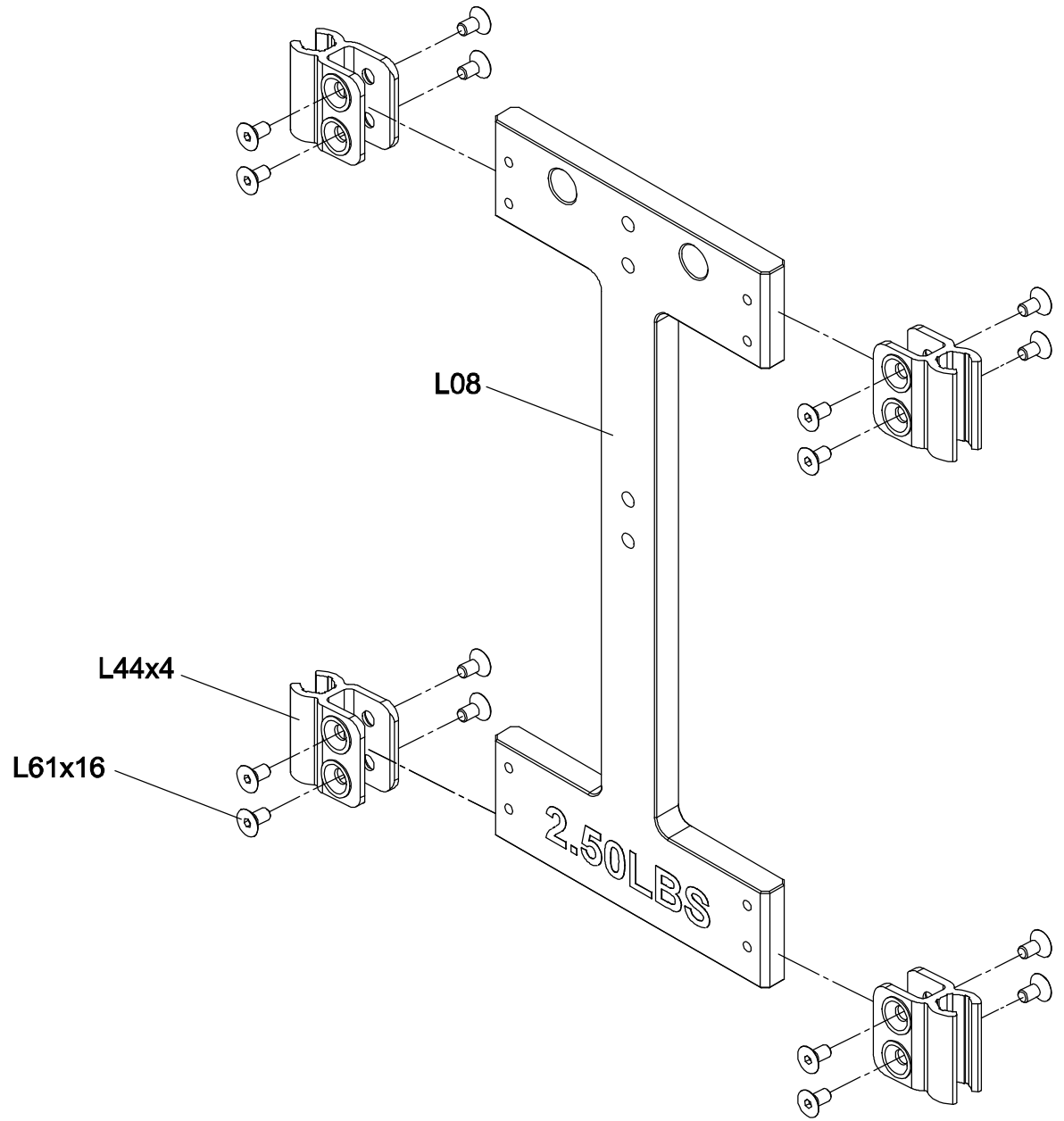


DRAWING NO	GM120-AC05		
PART NAME	Handle set ; Assembly		
PART NO	See Chart	REV	A
APPROVE	Zero	DATE	01.23.2024

Part NO.	Color
1000414300	Iced Sliver
1000414301	Platinum
1000414302	Polarized Titanium
1000414303	Lace White
1000414304	Pearl White
1000414305	Mat Black
1000414306	Black Glossy
1000427243	PF Purple
1000430133	White Tube
1000433055	O-PF Purple
1000440580	PF Yellow RAL1023
1000504142	Graphite Grey



DRAWING NO	GM121F-AL2		
PART NAME	Incremental Weight Plate Set		
PART NO	1000504336	REV	A
APPROVE	Xugang	DATE	2024.01.23



DRAWING NO	GM121F-AL3		
PART NAME	Incremental Weight Plate Set		
PART NO	1000504347	REV	A
APPROVE	Xugang	DATE	2024.01.23

