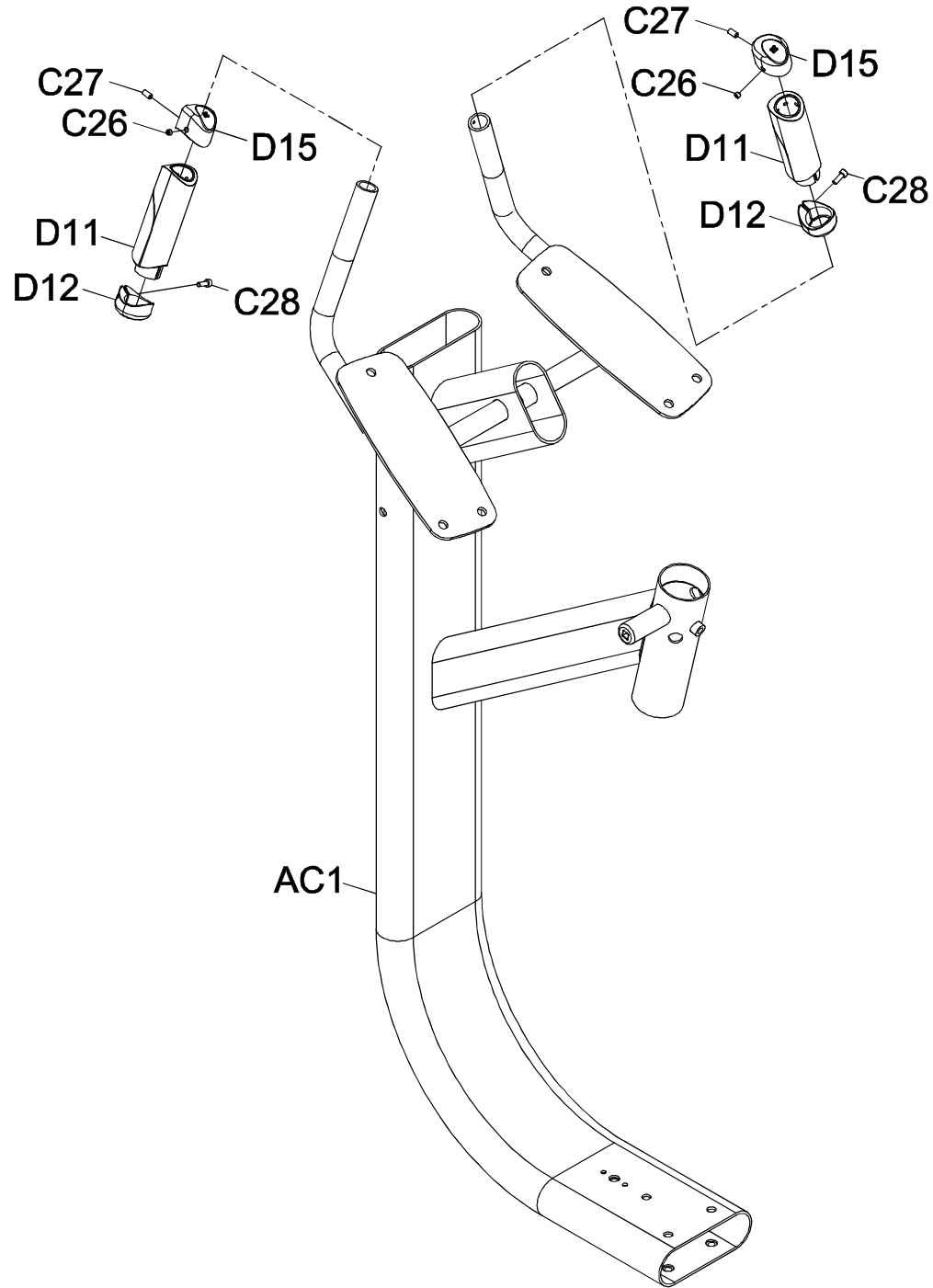
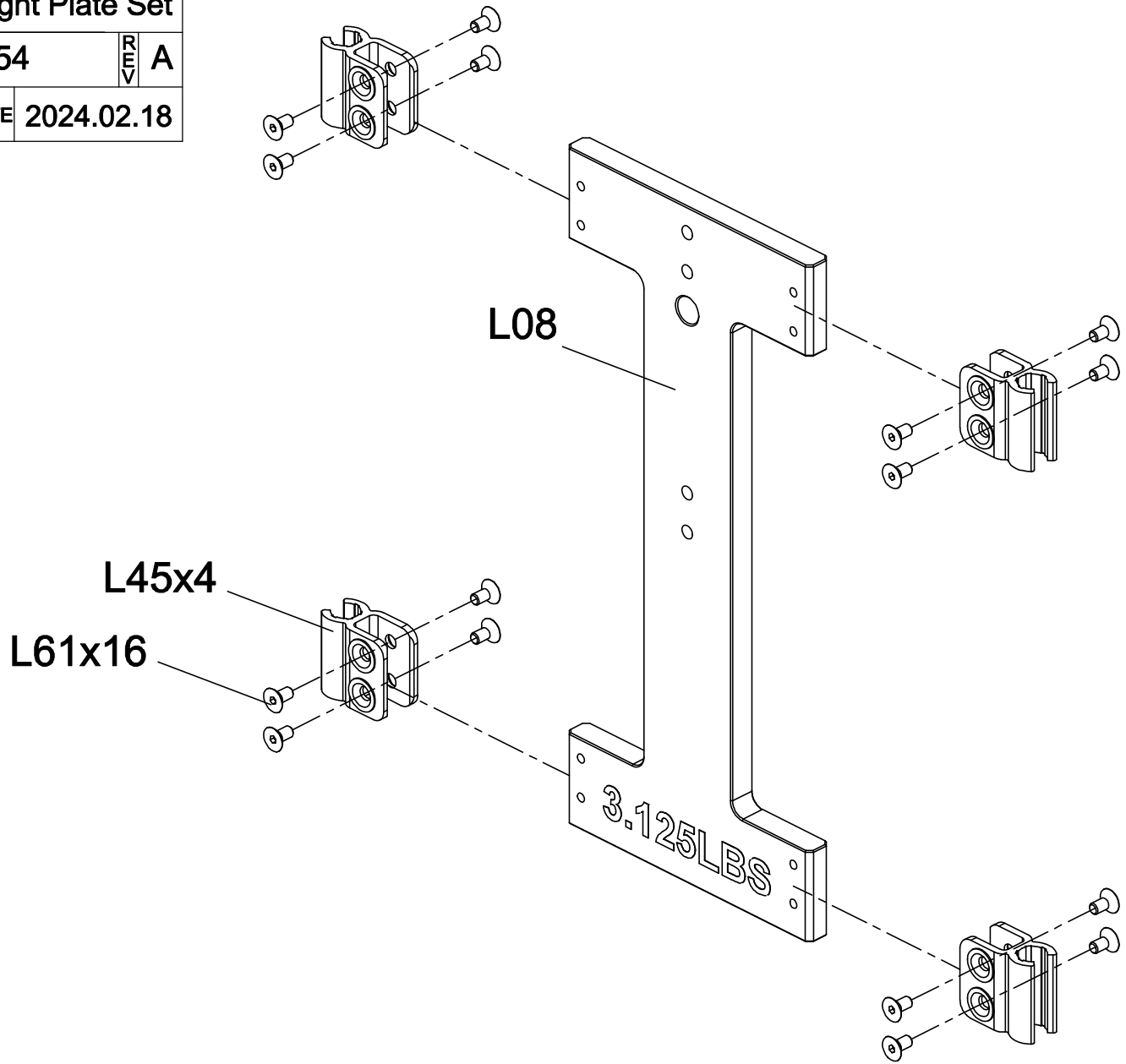


DRAWING NO	GM128-A10		
PART NAME	User frame set		
PART NO	See Chart	REV	A
APPROVE	Hao Qingshan	DATE	22.03.2024

Part NO.	Color
1000414912	Iced Sliver
1000414914	Platinum
1000414916	Polarized Titanium
1000414918	Lace White
1000414920	Pearl White
1000414922	Mat Black
1000414924	Black Glossy
1000427743	Planet Fitness Purple
1000430237	METAL TUBE +CLEAR COAT
1000433082	O-PF Purple
1000440819	PF Yellow RAL1023
1000507949	Graphite Gray



DRAWING NO	GM113F-SF03		
PART NAME	Incremental Weight Plate Set		
PART NO	1000504954	REV	A
APPROVE	Yang Hong wu	DATE	2024.02.18



DRAWING NO	GM113F-SF04		
PART NAME	Incremental Weight Plate Set		
PART NO	1000504962	REV	A
APPROVE	Yang Hong wu	DATE	2024.02.18

