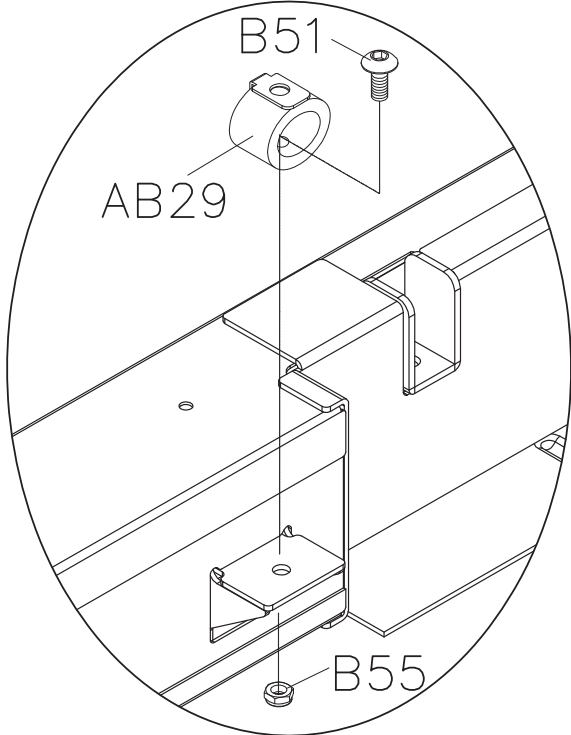
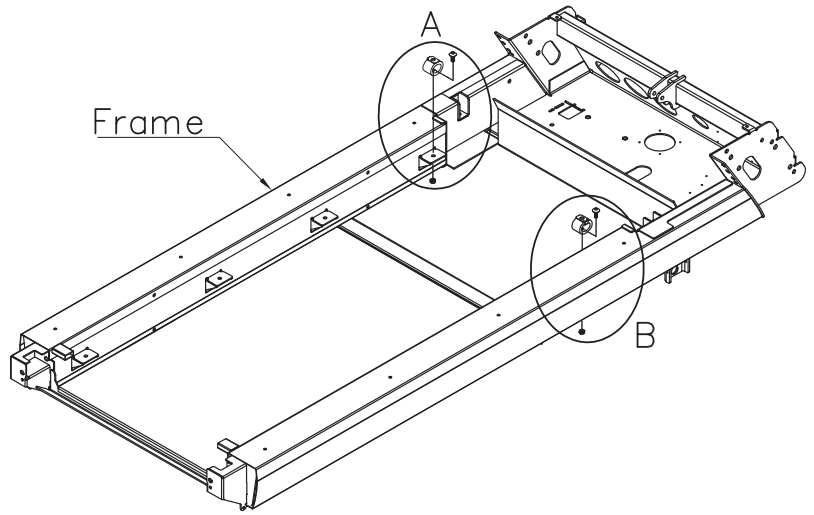
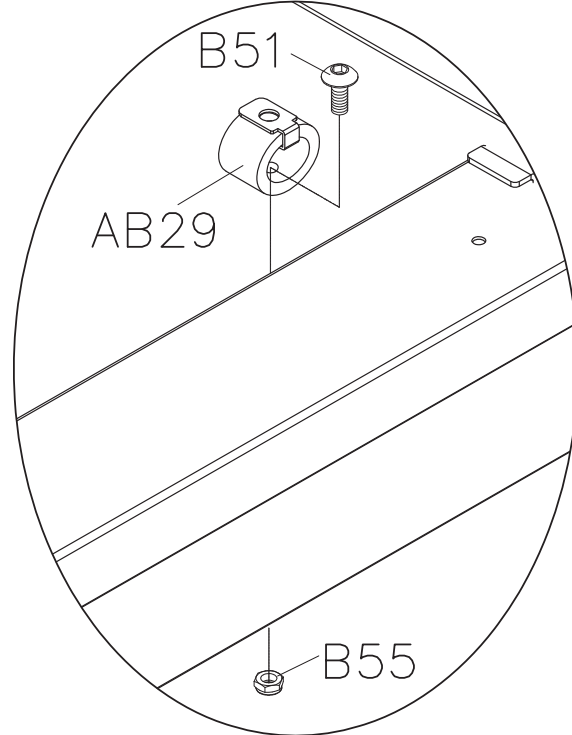


DRAWING NO	TM501-AB21		
PART NAME	Elastomer Set;Running Deck;Front		
PART NO	As Attachment		
APPROVE	S.T.C	DATE	060512

Part No.	Description
0000089487	Nai Ri
1000233263	Miner



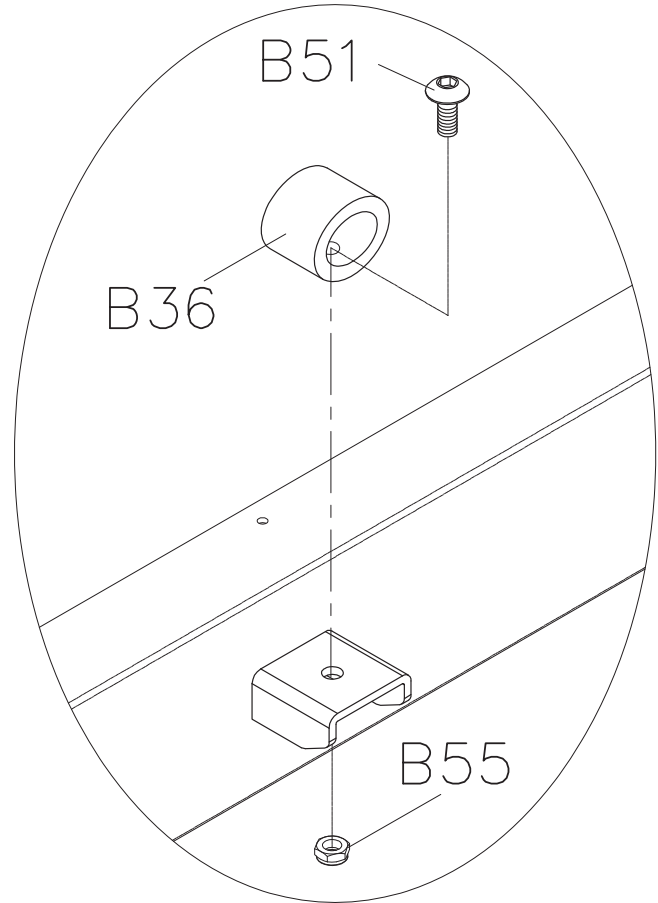
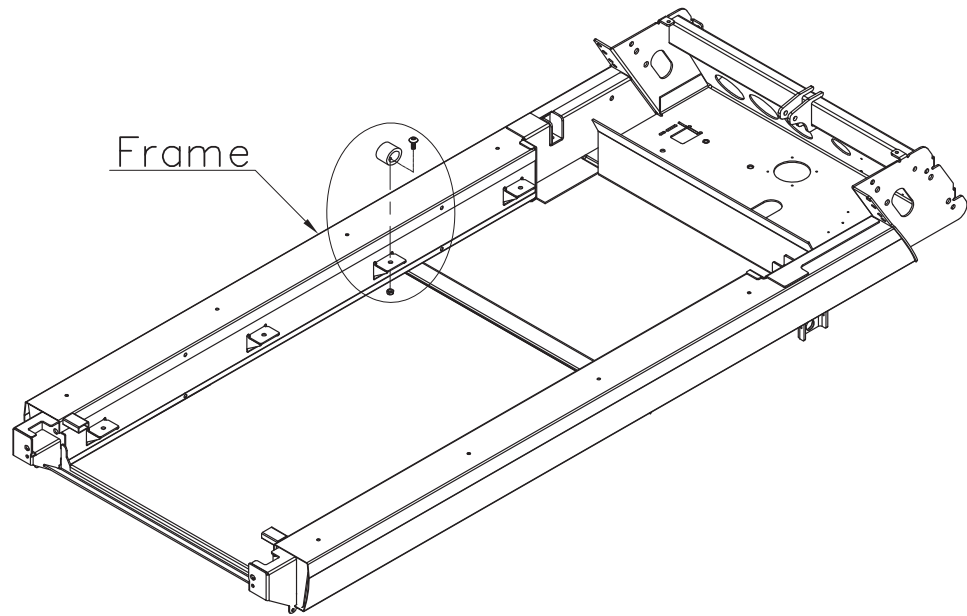
A 詳圖(1:5)



B 詳圖(1:5)

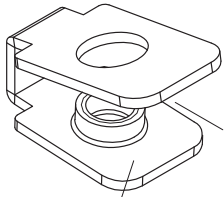
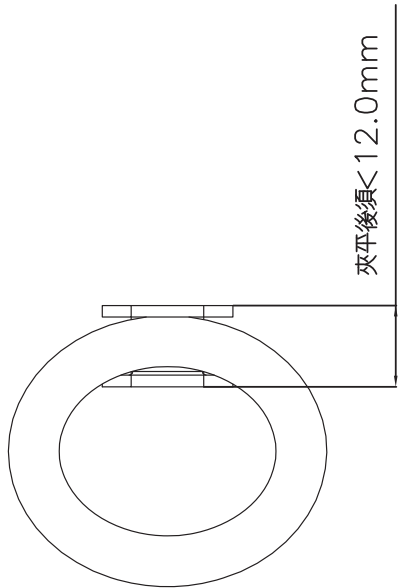
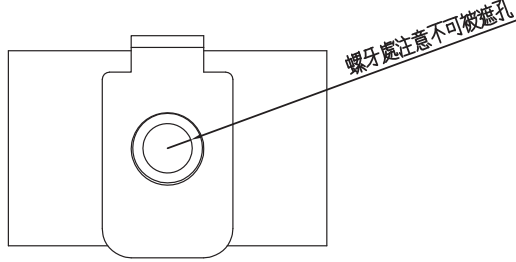
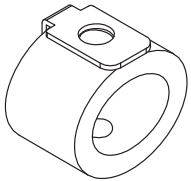
DRAWING NO	TM501-AB22	
PART NAME	Elastomer Set;Running Deck;Middle	
PART NO	As Attachment B	
APPROVE	S.T.C	DATE 060512

Part No.	Description
0000089488	Nai Ri
1000233264	Miner

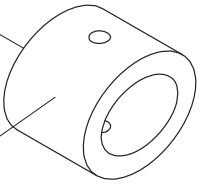


A(1:5)

DRAWING NO	TM501-AB29		
PART NAME	Elastomer Set; Miner		
PART NO	As Attachment		
APPROVE	S.T.C	DATE	092110



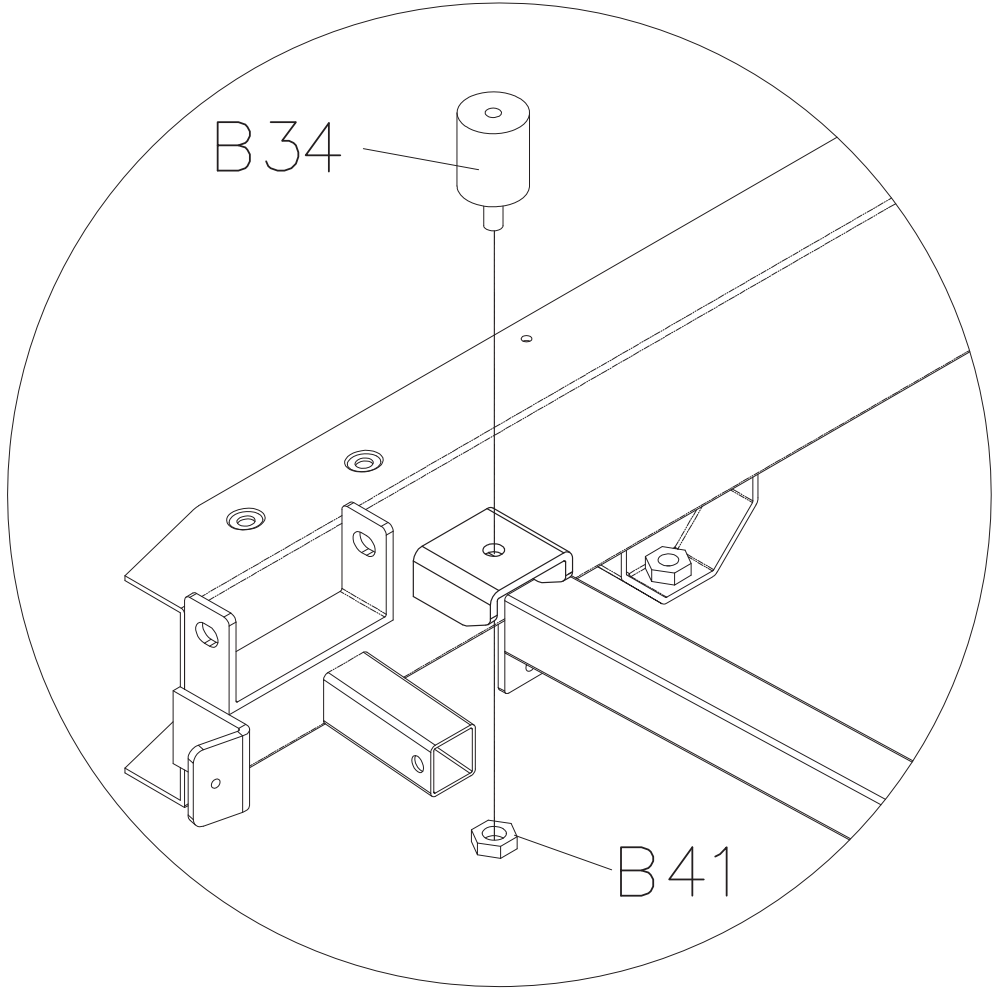
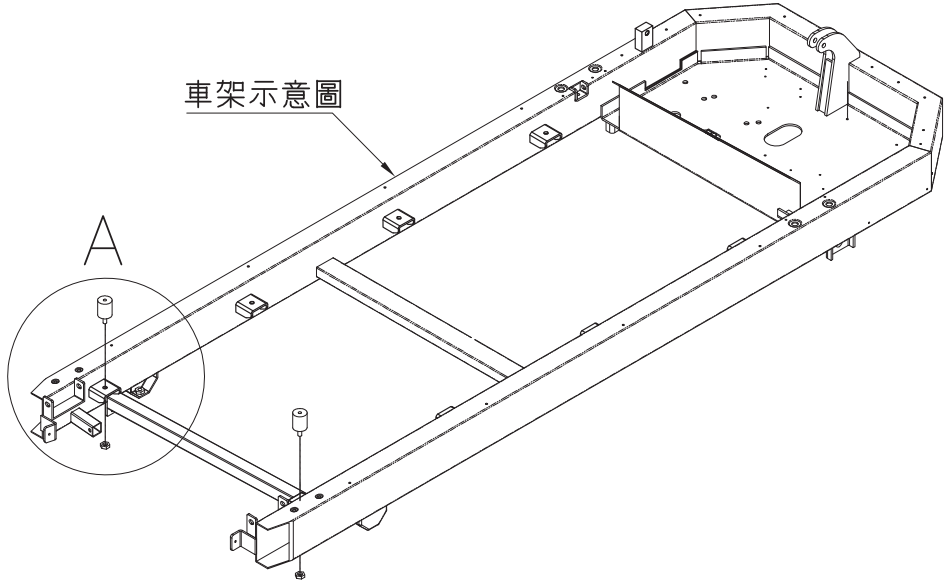
B38



B36

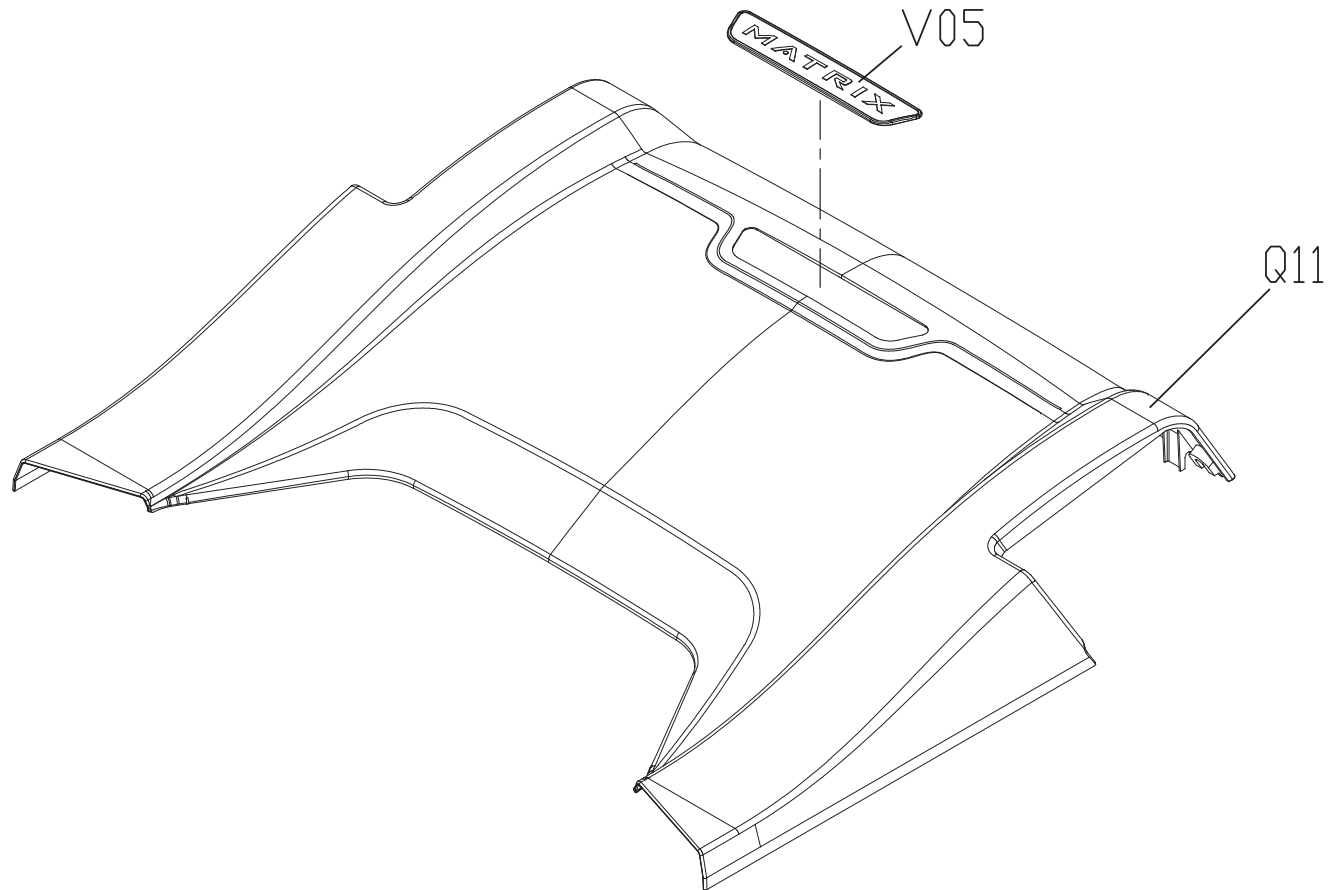
Part No.	Description
1000204015	Miner
0000095663	Nai Ri

DRAWING NO 圖號	TM507-AB22
PART NAME(CH) 零件名稱(中文)	緩衝墊組;跑板;後
PART NAME(EN) 零件名稱(英文)	Elastomer Set;Running Deck;Back
SAP PART NO SAP料號	0000091092 B

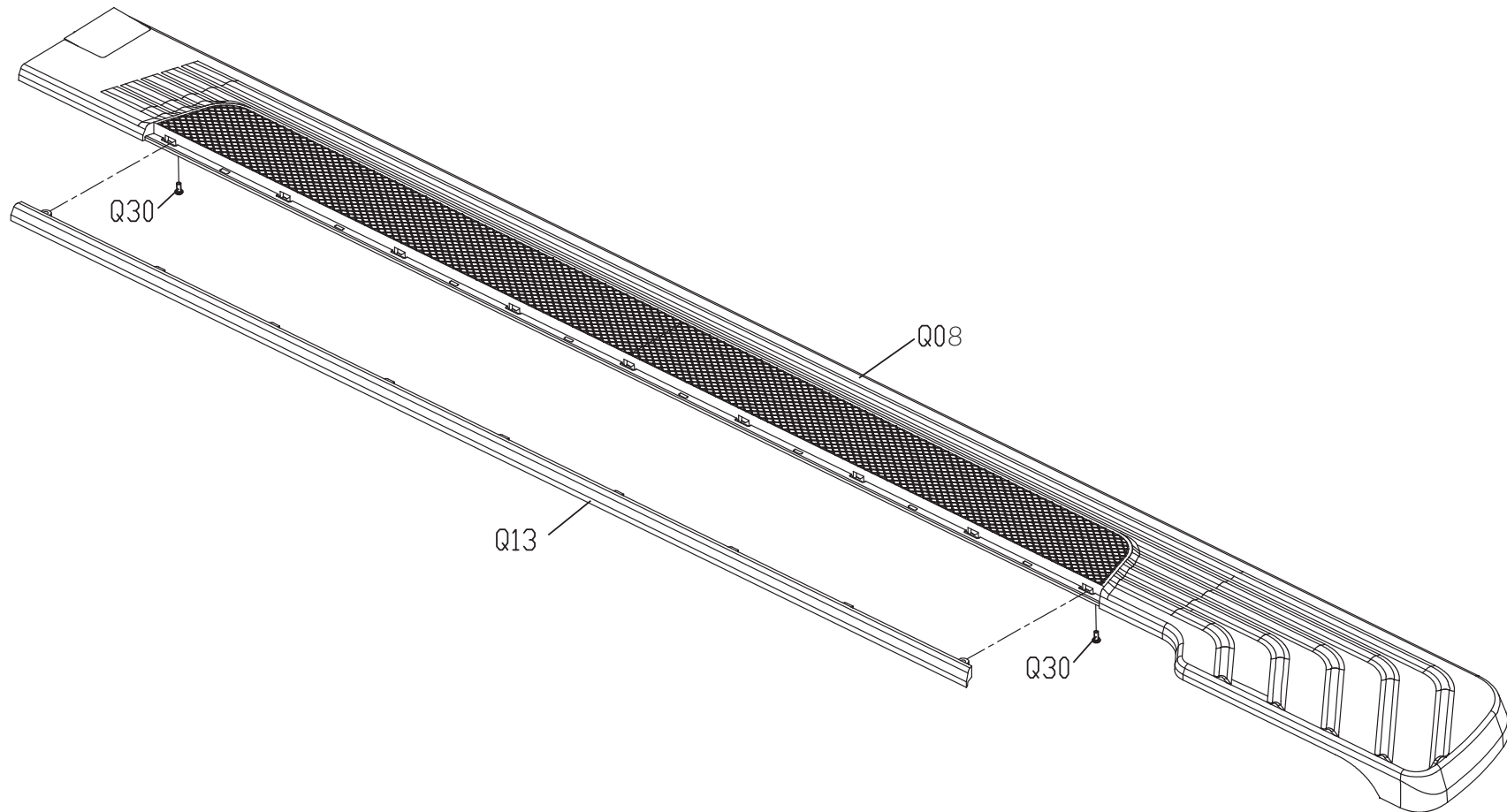


A 詳圖(1:5)

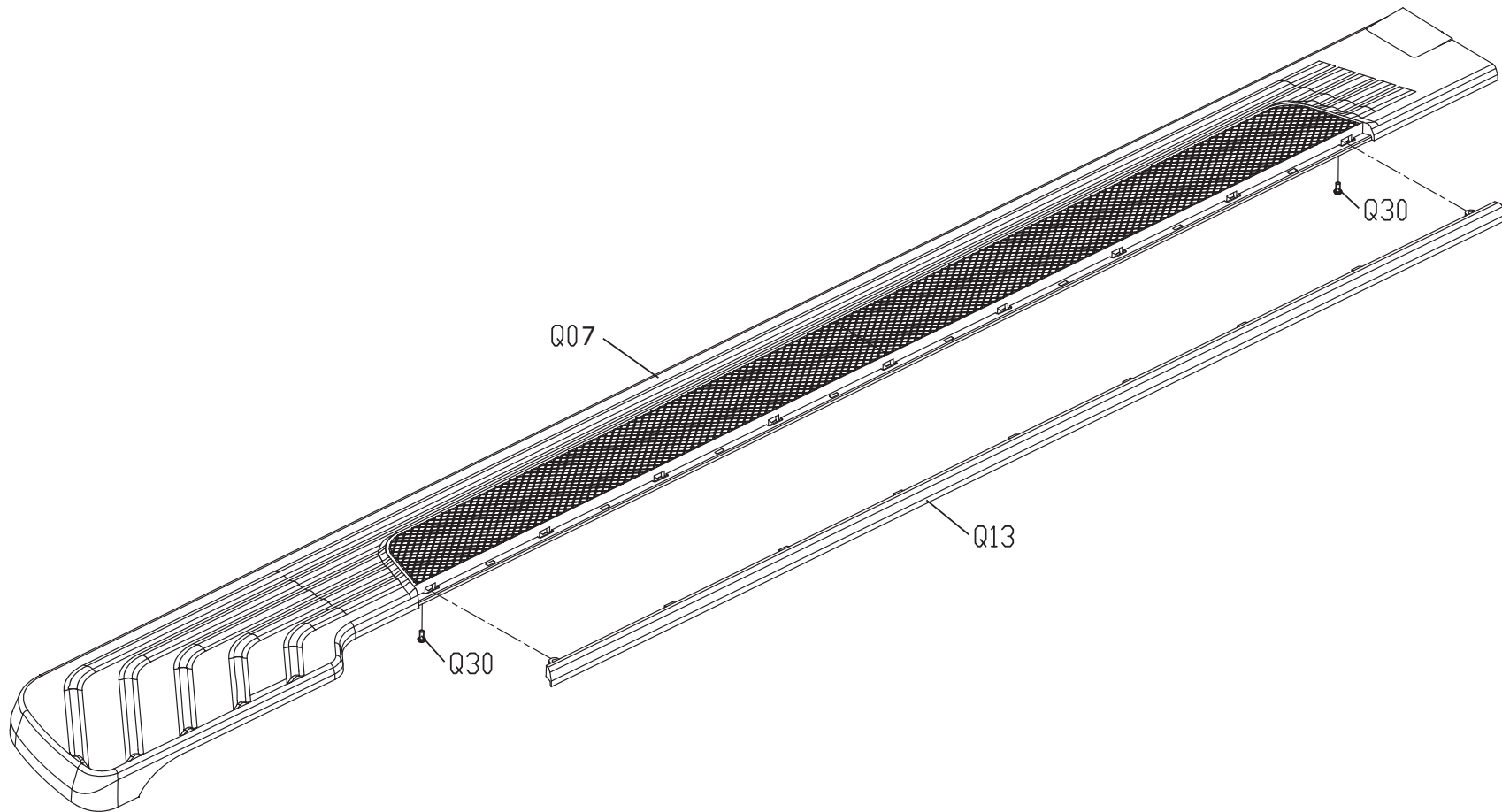
DRAWING NO	TM538-AQ10		
PART NAME	Motor Cover Set;up		
PART NO	1000433957REV B		
APPROVE	MING	DATE	070119



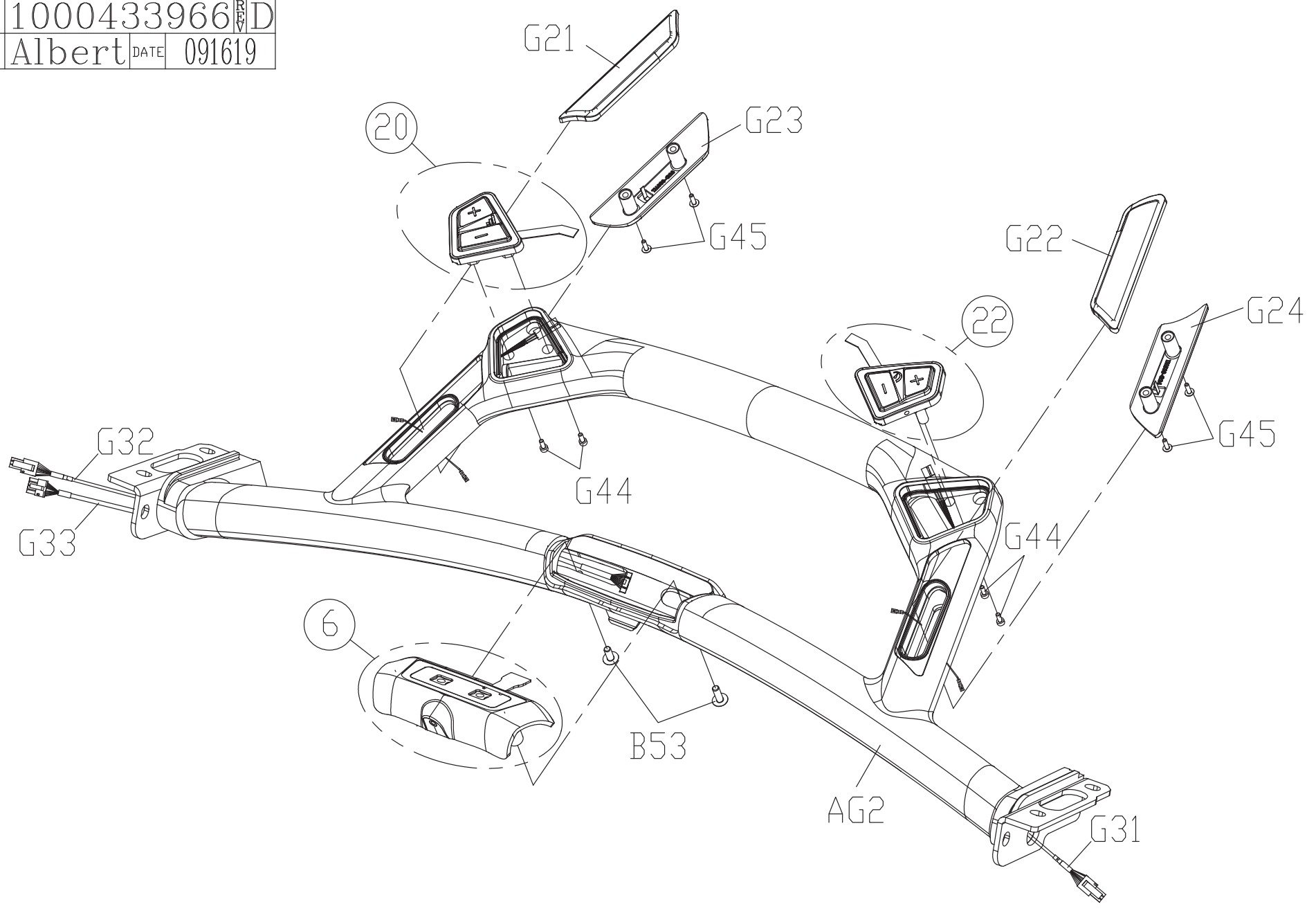
DRAWING NO	TM538-AQ4		
PART NAME	Side Rail Set;;right		
PART NO	1000433956 B		
APPROVE	Albert	DATE	062619



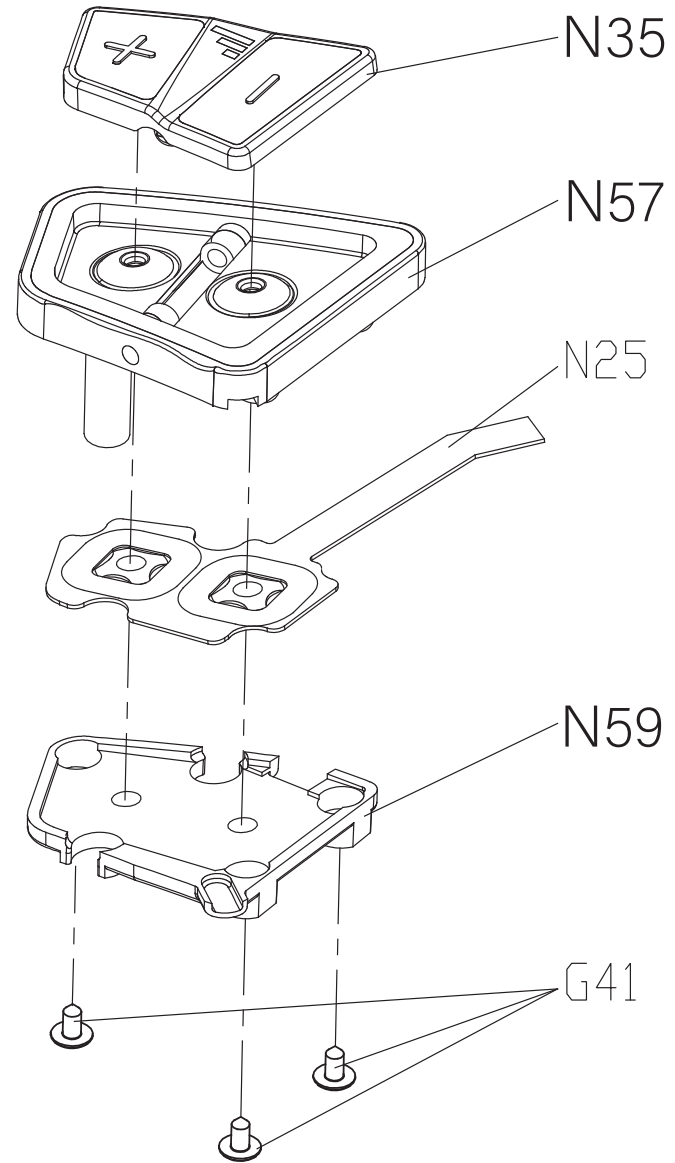
DRAWING NO	TM538-AQ3		
PART NAME	Side Rail Set;;left		
PART NO	1000433959	REV	B
APPROVE	Albert	DATE	062619



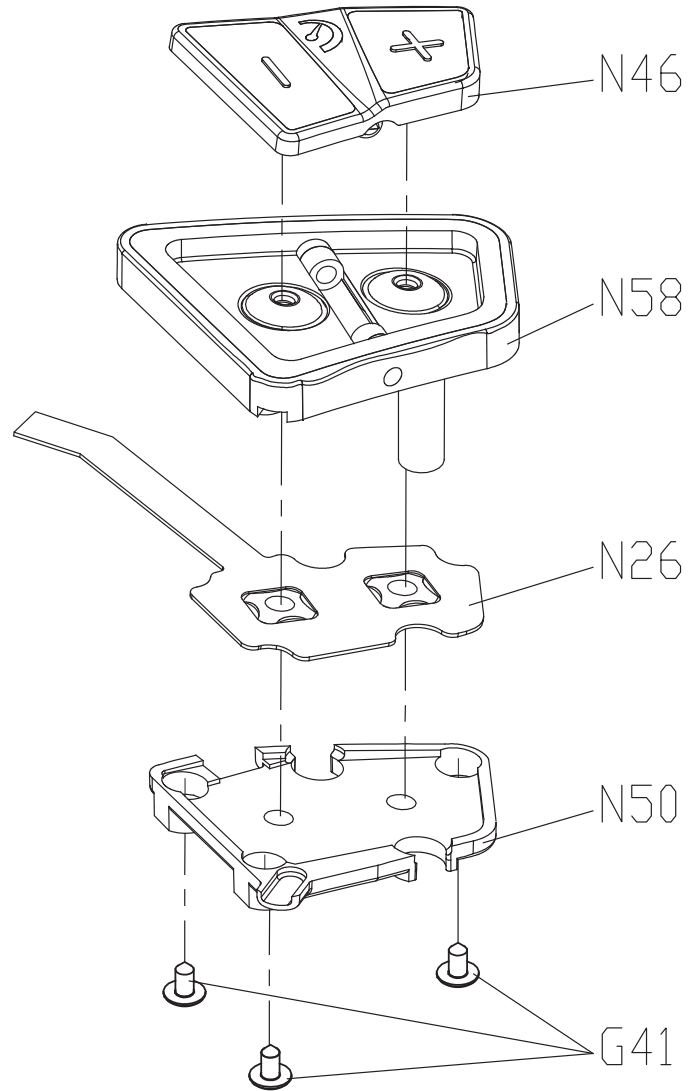
DRAWING NO	TM538-AG21		
PART NAME	Handlebar Set		
PART NO	1000433966 <small>REV D</small>		
APPROVE	Albert	DATE	091619



DRAWING NO	TM538-AG23		
PART NAME	Pulse Sensor Set;Quickly Key;left		
PART NO	1000437154 B		
APPROVE	Albert	DATE	062419

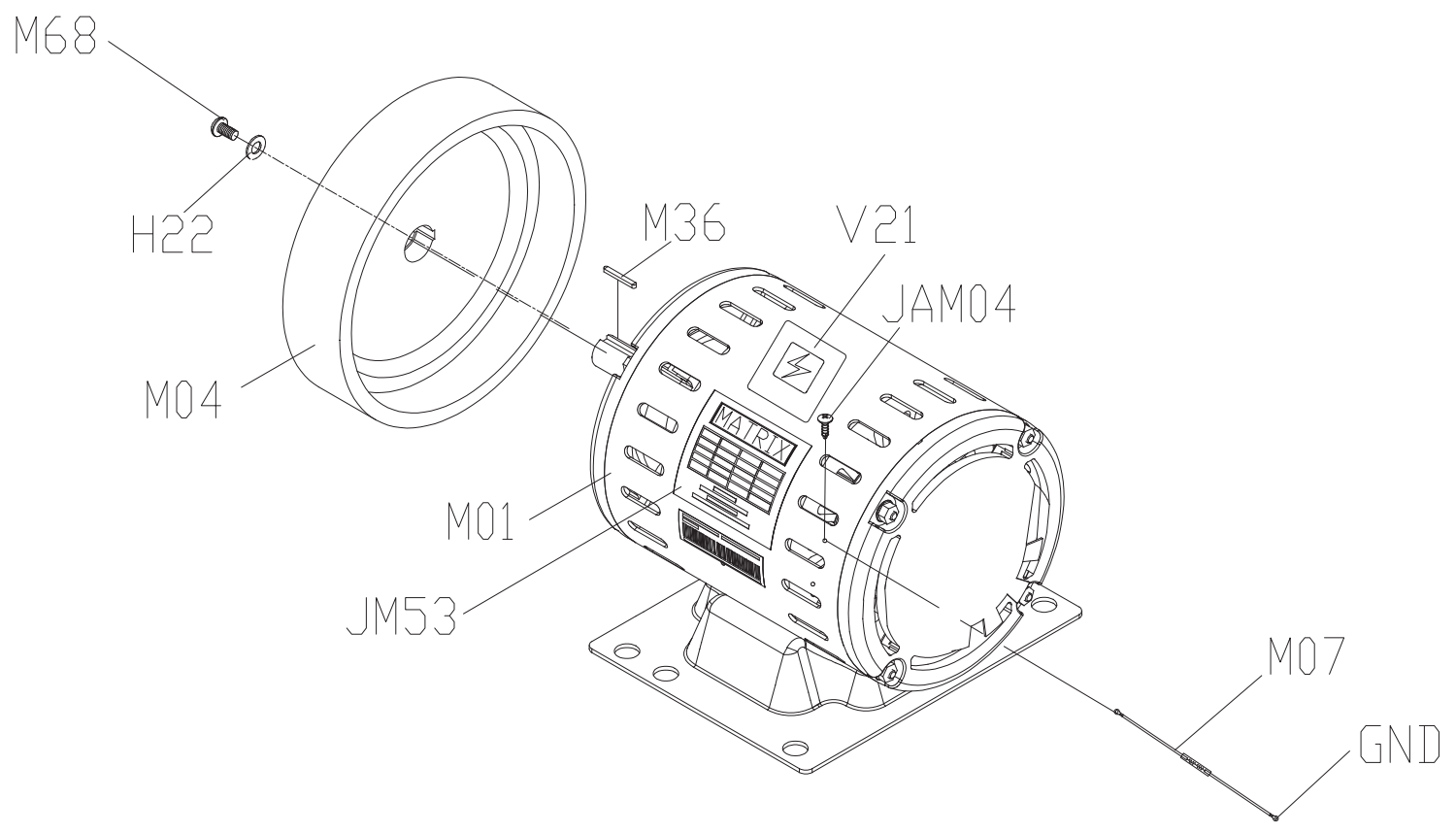


DRAWING NO	TM538-AG24		
PART NAME	Pulse Sensor Set:Quickly Key:right		
PART NO	1000437157/B		
APPROVE	Albert	DATE	062519

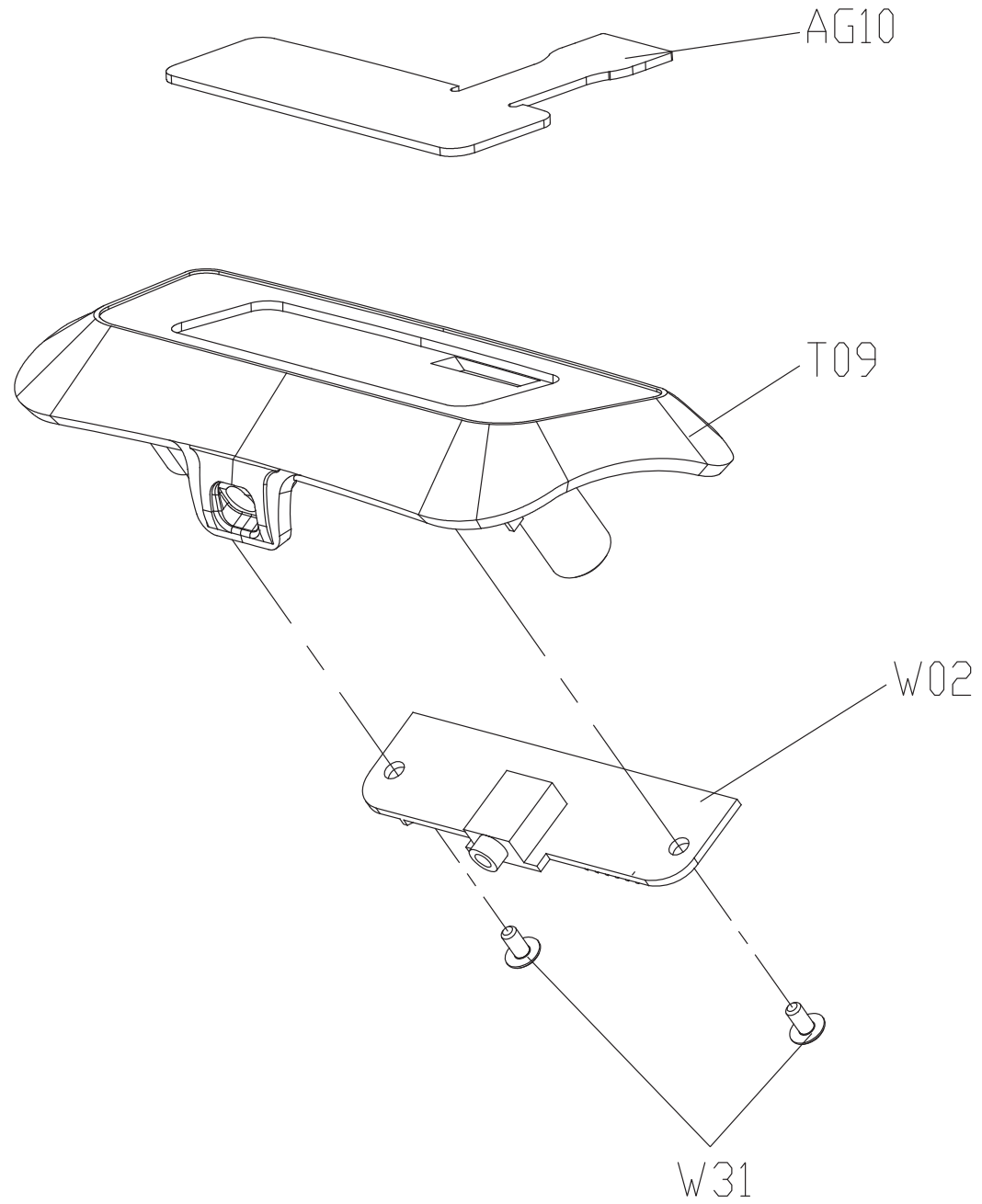


DRAWING NO	TM538-AM1		
PART NAME	Motor Set		
PART NO	1000437166		
APPROVE	ALLEN	DATE	041720

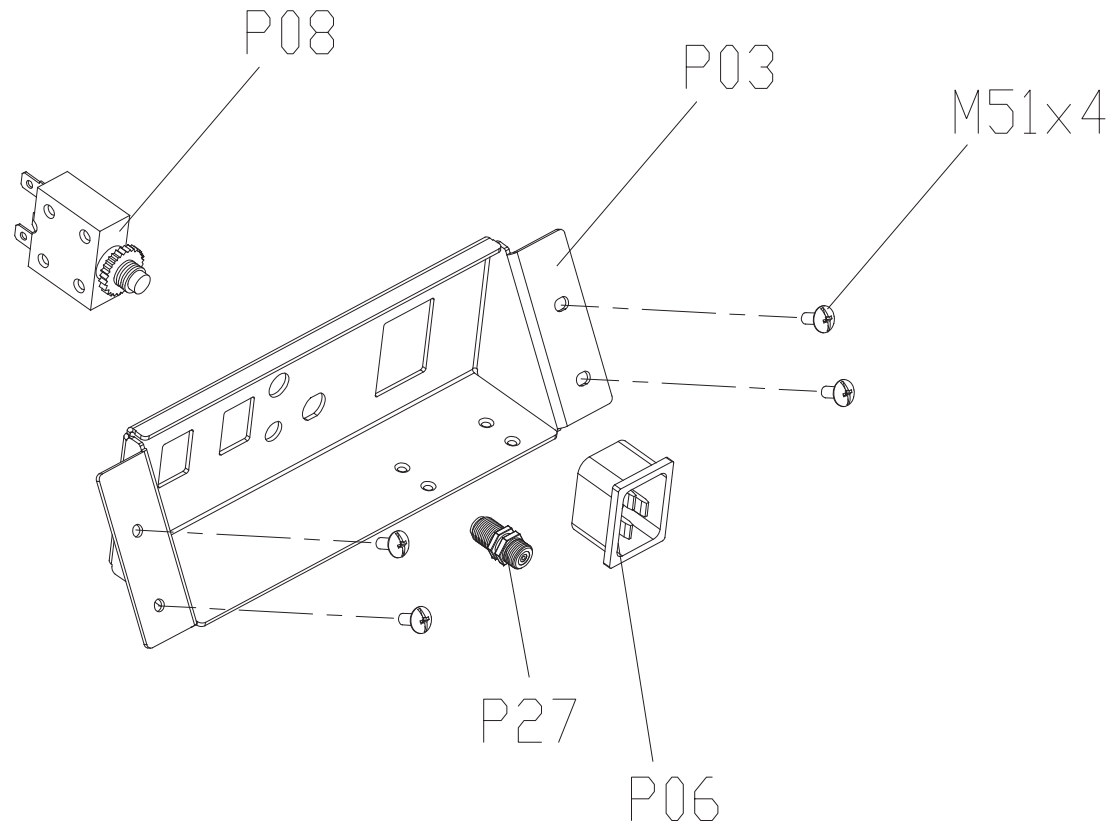
Notes:
Deviation: under 0.4mm




DRAWING NO	TM538-AG25		
PART NAME	Overlay Set;Start Quick;;English		
PART NO	1000443081VB		
APPROVE	ming	DATE	082119



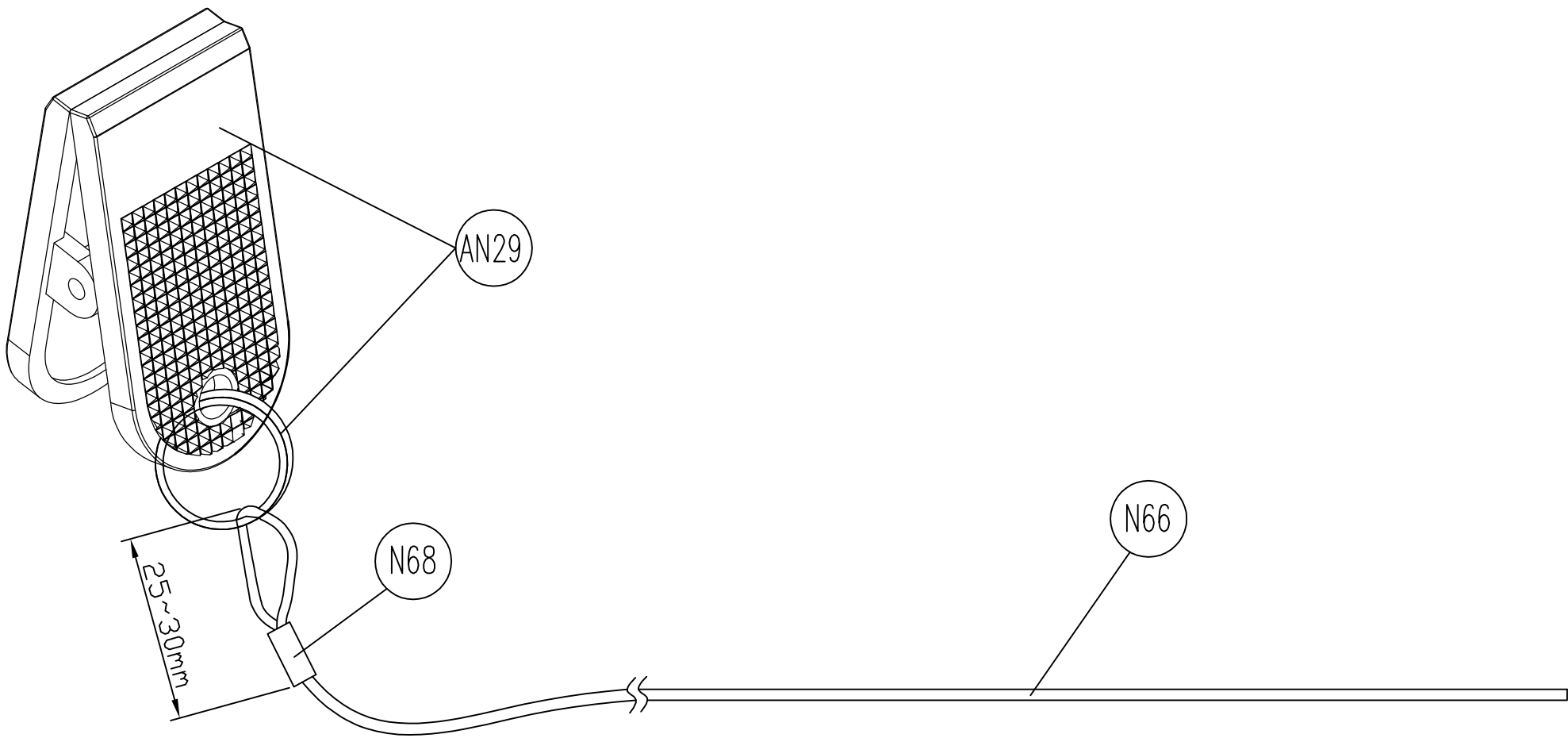
DRAWING NO	TM538-AP14		
PART NAME	Fixed chipset; Electronic Part		
PART NO	See attached REC		
APPROVE	MING	DATE	030920



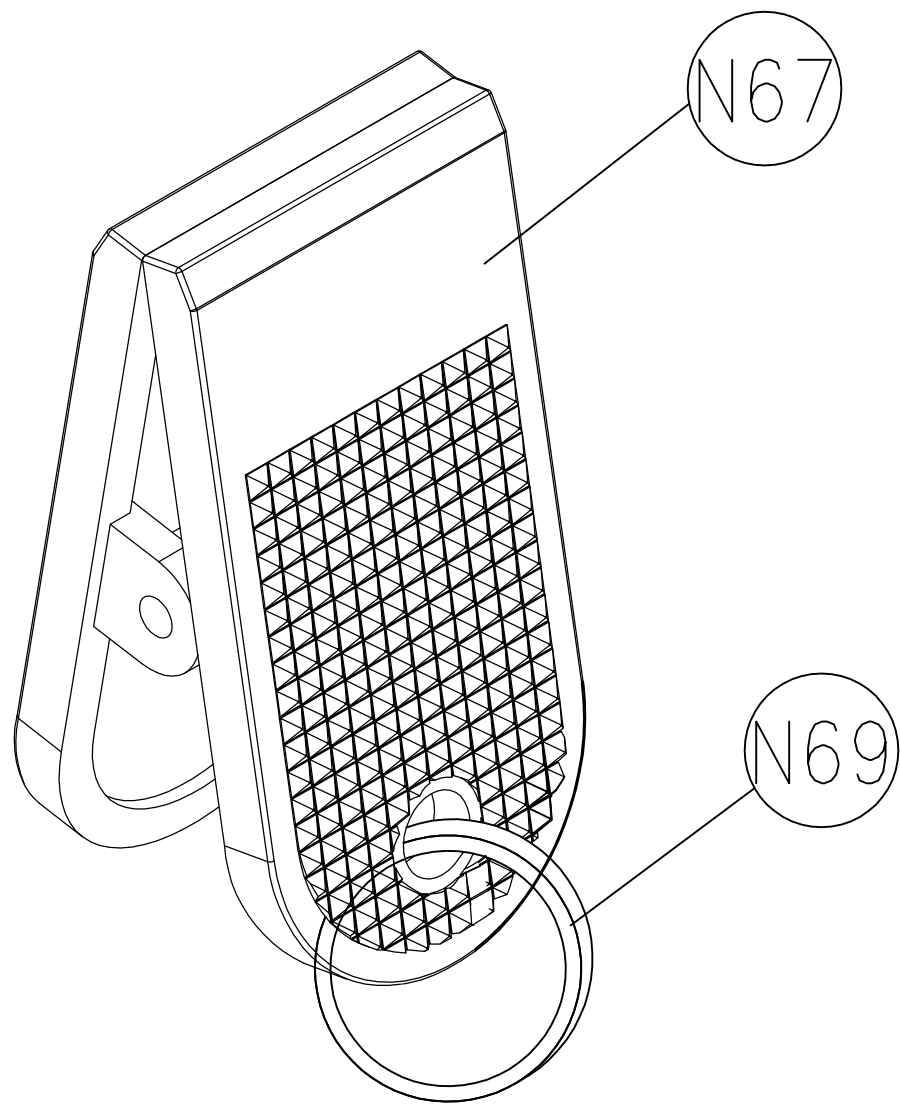
SAP No.	Description
1000443247	US/110V
1000443252	KM/220V

DRAWING NO	TM501-AN13		
PART NAME	Safety Switch Set		
PART NO	1000231246  B		
APPROVE	SHUYI	DATE	070813

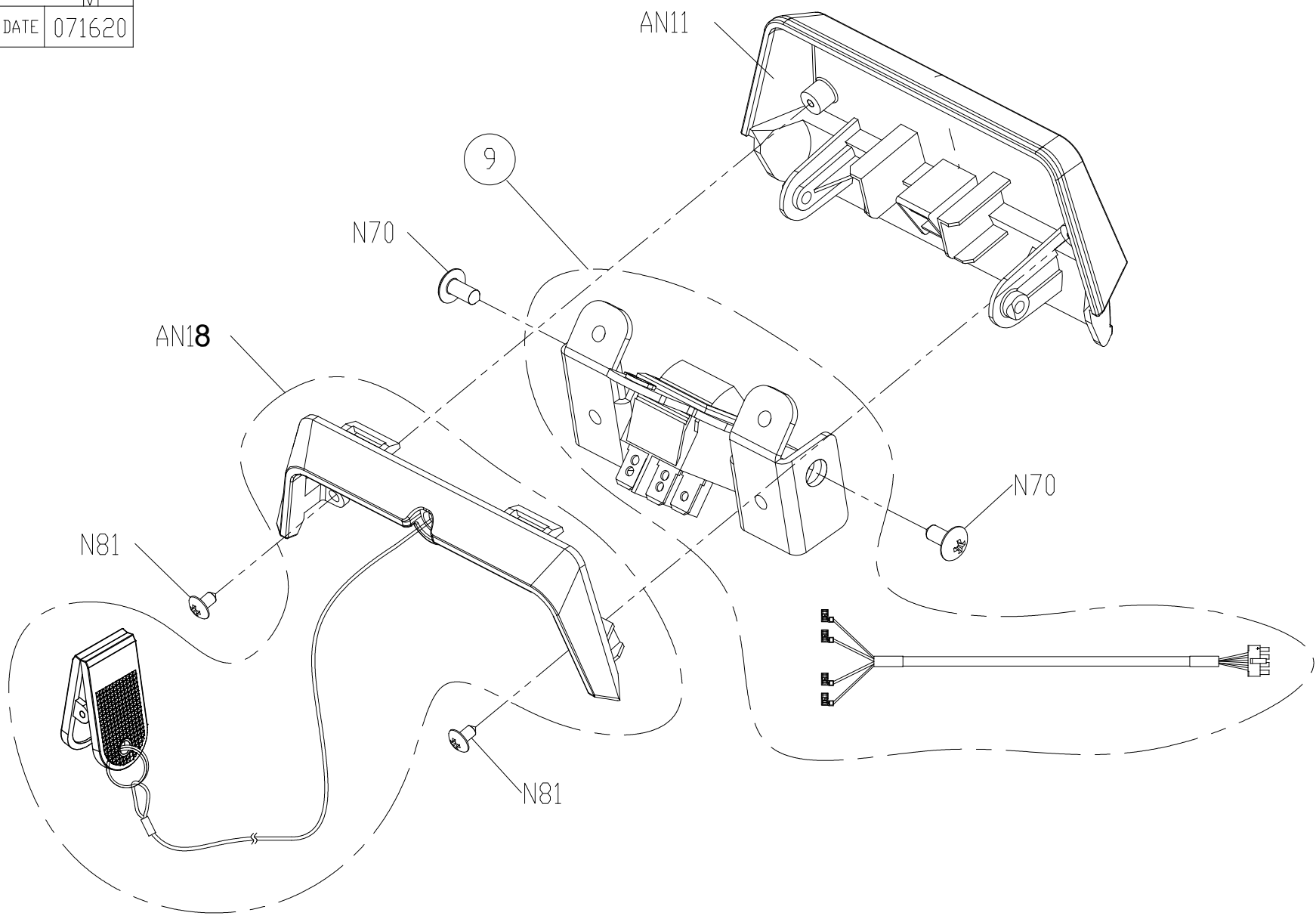
備註: 組裝後總長度(含夾子/鑰匙圈)860~870mm
 Note: Length of assembly(Chip/Key ring)860~870mm



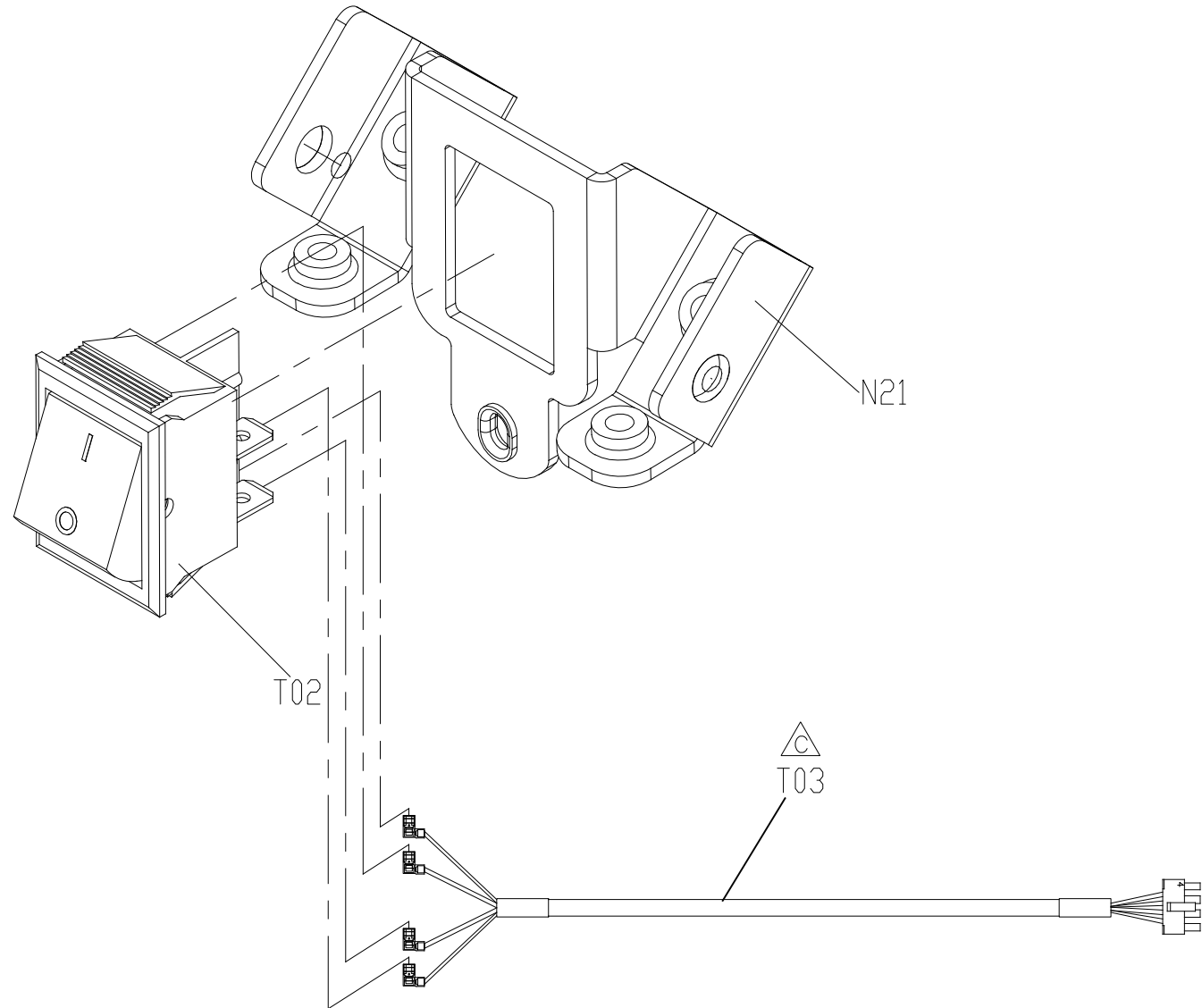
DRAWING NO	TM501-AN29		
PART NAME	Safety Switch Clip Set		
PART NO	1000231247	REV	A
APPROVE	S.T.C	DATE	032612



DRAWING NO	TM538-AN10		
PART NAME	SAFETY KEY SET;CONSOLE		
PART NO	1000454400	REV	C
APPROVE	ALLEN	DATE	071620



DRAWING NO	TM538-AN12		
PART NAME	SAFETY KEY COVER SET		
PART NO	1000454402	REV	C
APPROVE	ALLEN	DATE	071620



DRAWING NO	TM538-AN13		
PART NAME	SAFETY KEY SET		
PART NO	1000454403	REV	B
APPROVE	ALBERT	DATE	060520

