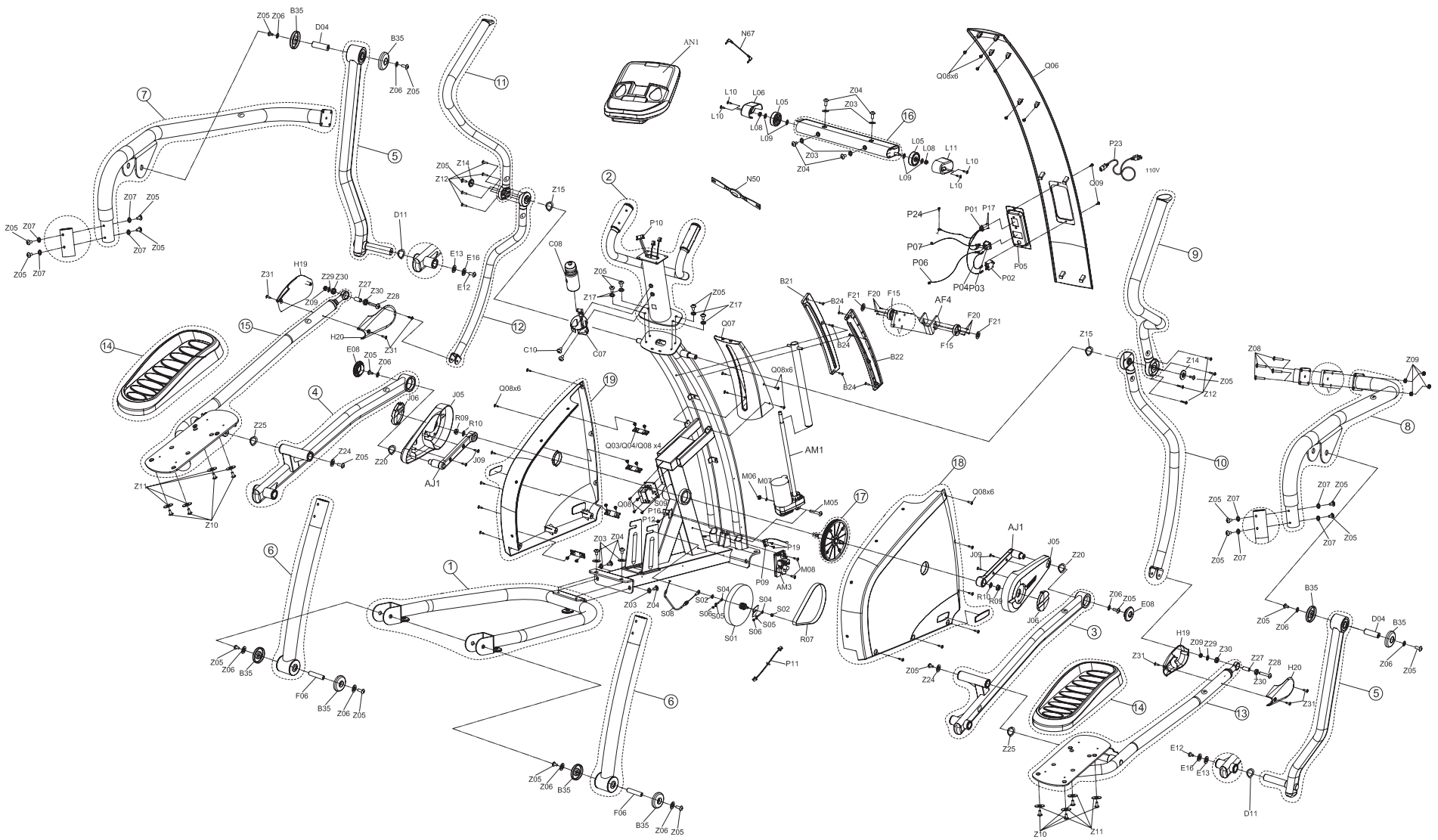
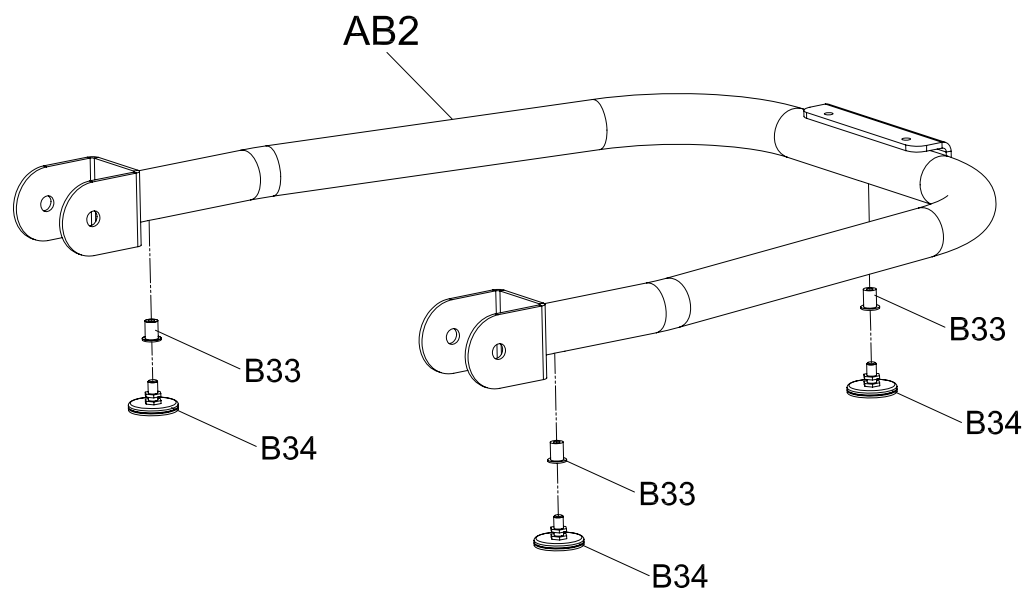


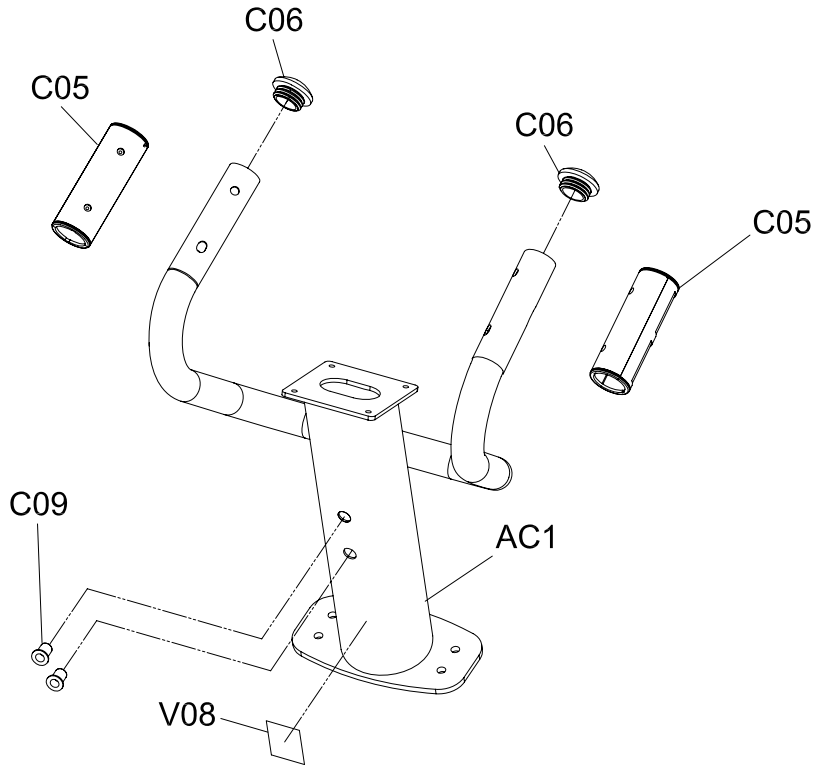
DRAWING NO	EP258-1US-P		
PART NAME	Explosive Drawing		
PART NO	HEP0365-00	REV	A
APPROVE		DATE	2011.06.20



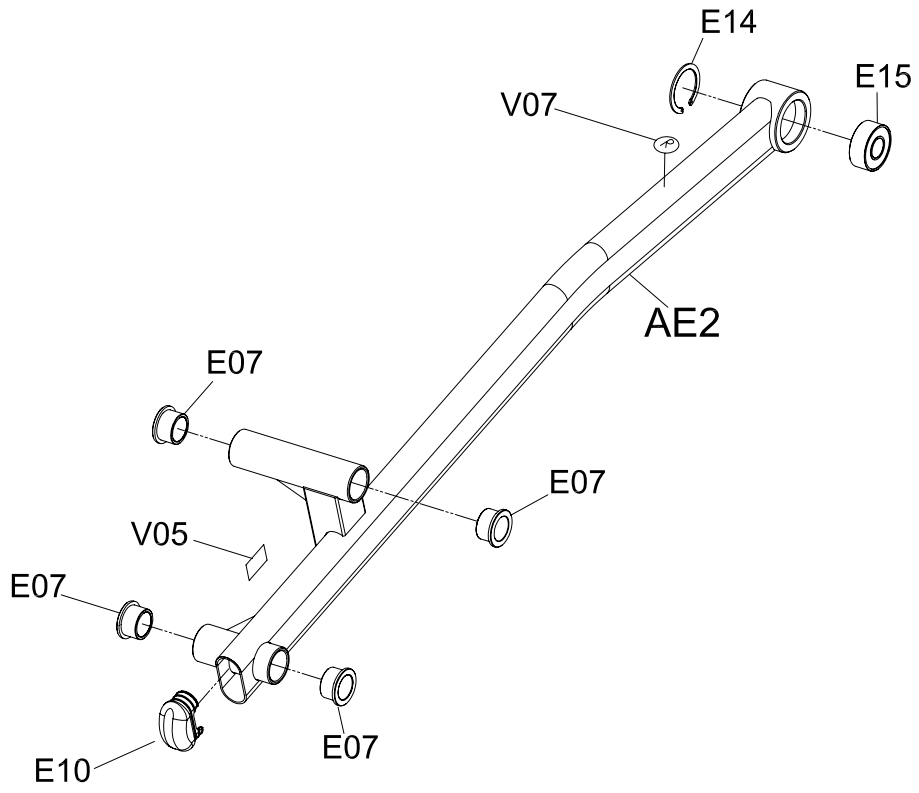
DRAWING NO	EP258-A11		
PART NAME	Rear Frame Set		
PART NO	1000217293	REV	A
APPROVE		DATE	2011.05.20



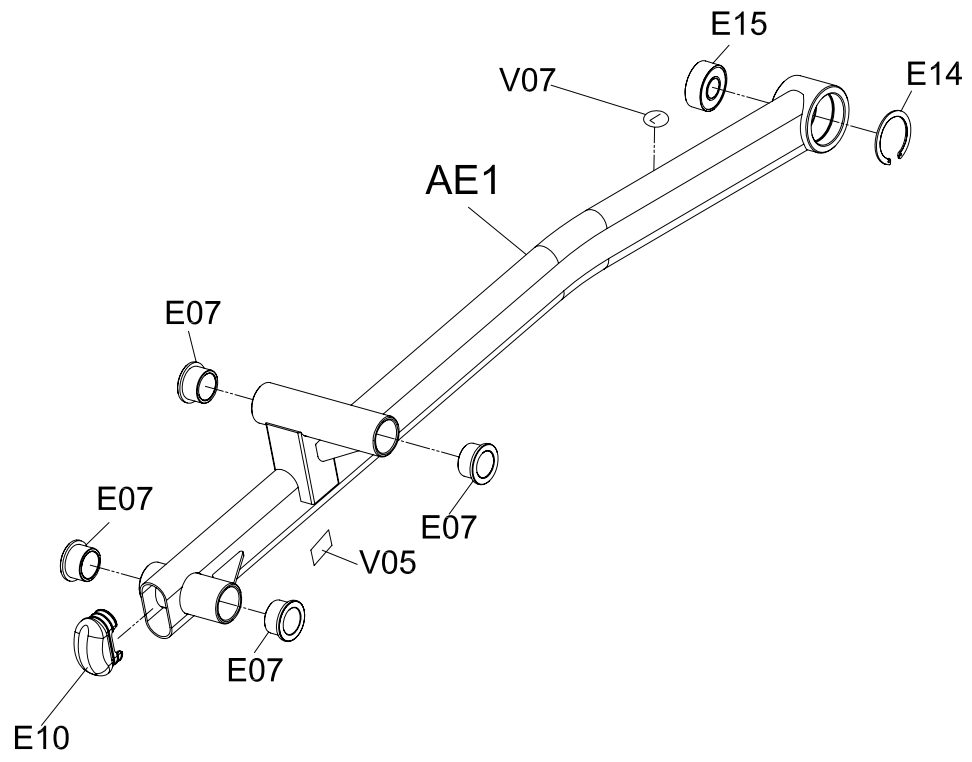
DRAWING NO	EP258-A12		
PART NAME	Console Mast Set		
PART NO	1000217294	REV	A
APPROVE		DATE	2011.05.20



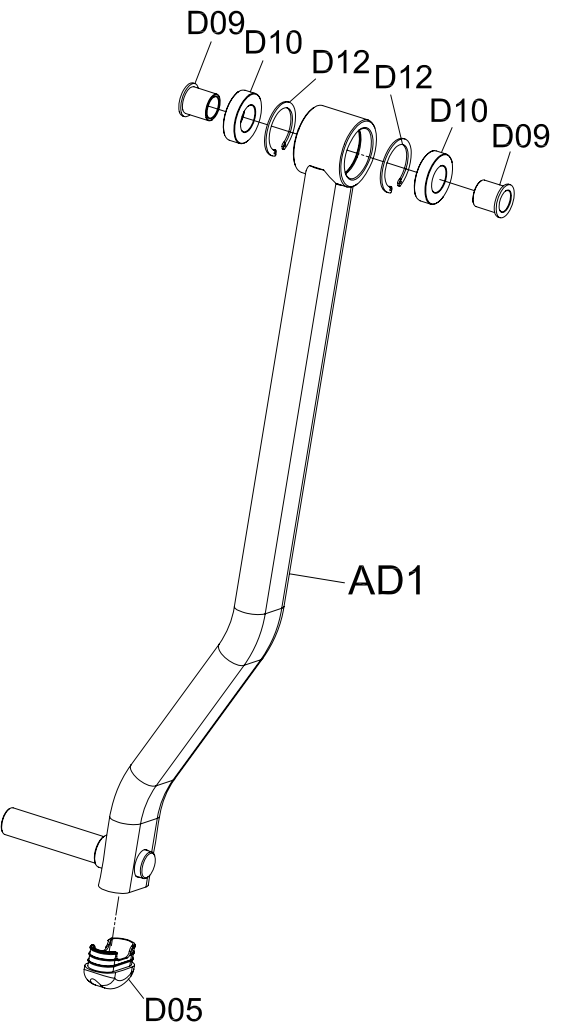
DRAWING NO	EP258-A13		
PART NAME	Right Pedal Arm Set		
PART NO	1000217295	REV	A
APPROVE		DATE	2011.05.20



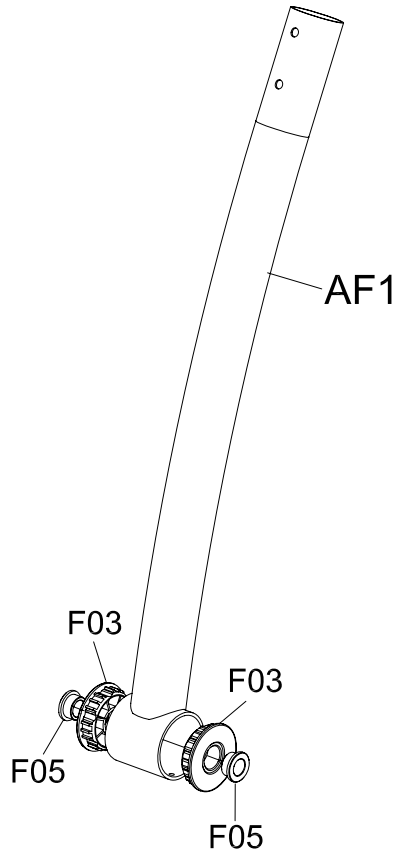
DRAWING NO	EP258-A14		
PART NAME	Left Pedal Arm Set		
PART NO	1000217296	REV	A
APPROVE		DATE	2011.05.20



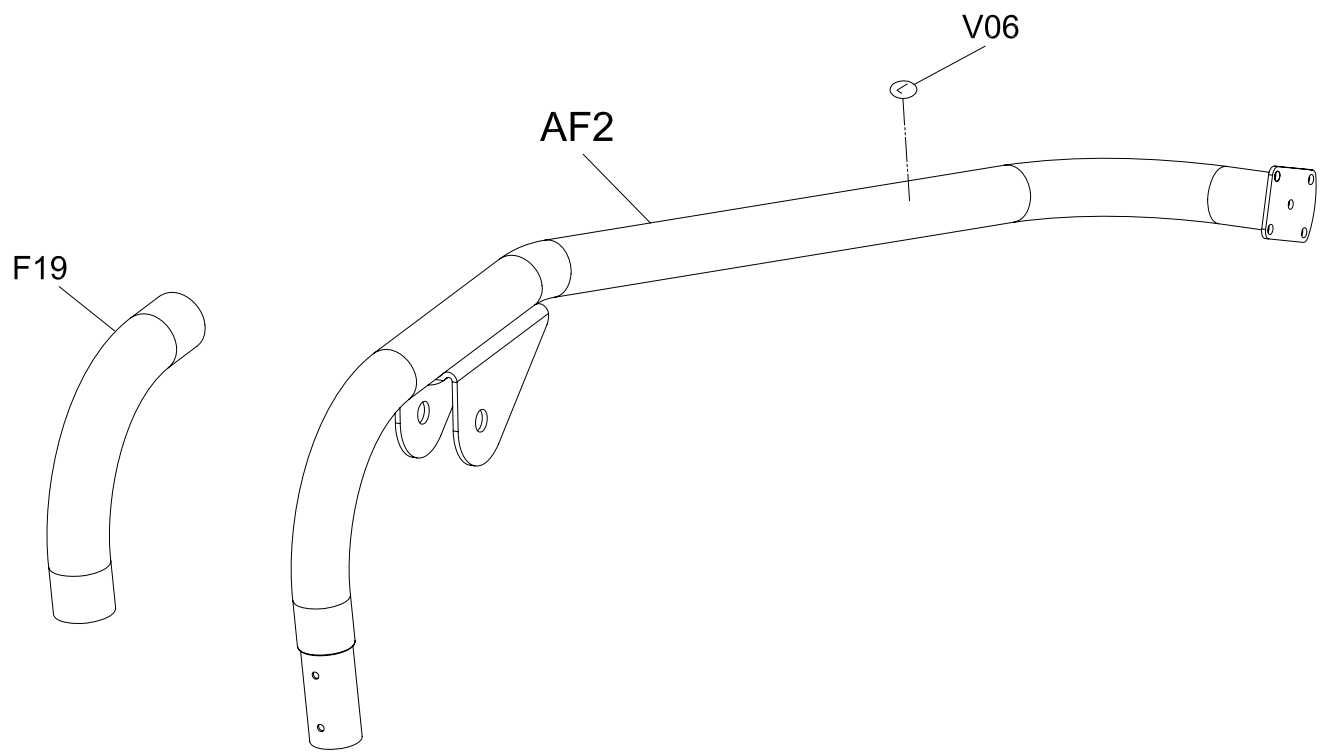
DRAWING NO	EP258-A15		
PART NAME	Hang Arm Set		
PART NO	1000217297	REV	A
APPROVE		DATE	2011.05.20



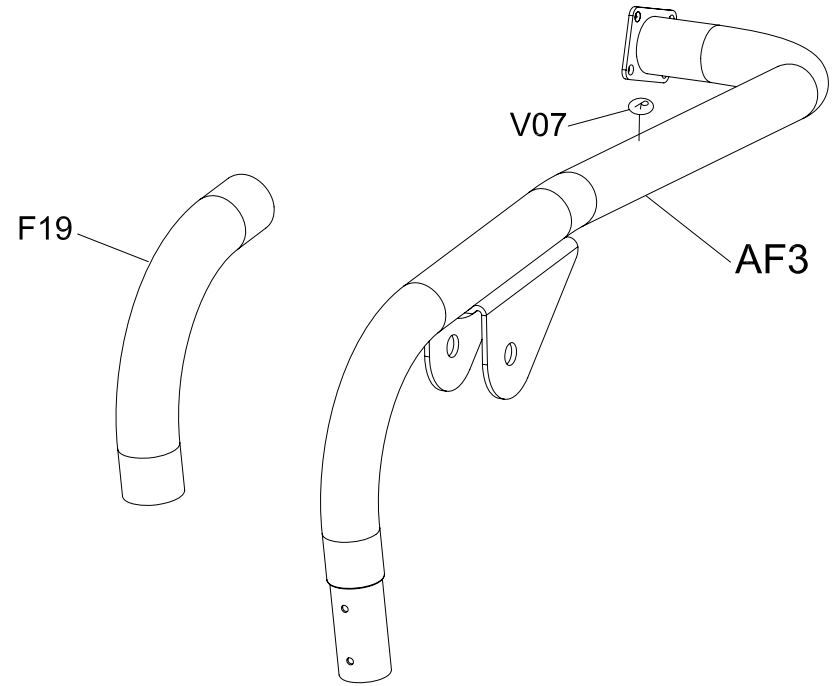
DRAWING NO	EP258-A16		
PART NAME	Elevation Support Tube Set		
PART NO	1000217298	REV	A
APPROVE		DATE	2011.05.20



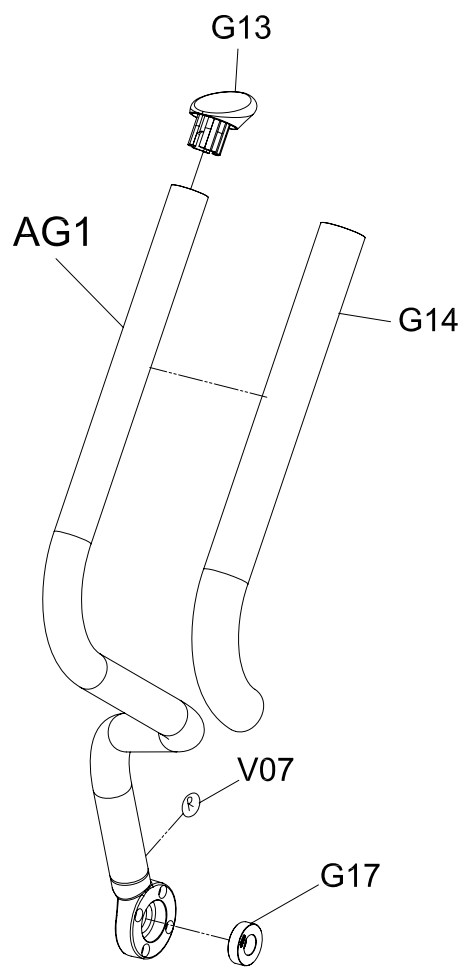
DRAWING NO	EP258-A17		
PART NAME	Left Elevation Tube Set		
PART NO	1000217299	REV	A
APPROVE		DATE	2011.05.20



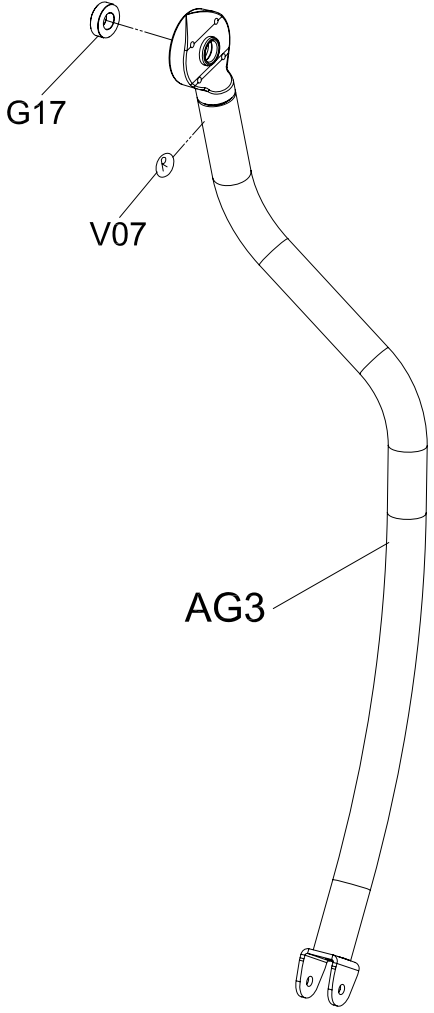
DRAWING NO	EP258-A18		
PART NAME	Right Elevation Tube Set		
PART NO	1000217300	REV	A
APPROVE		DATE	2011.05.20



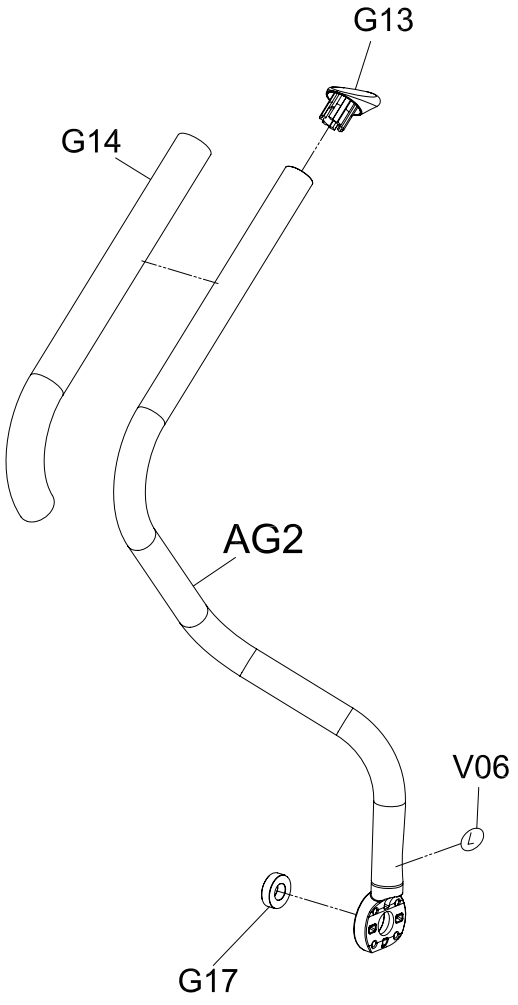
DRAWING NO	EP258-A19		
PART NAME	Right Upper Handlebar Set		
PART NO	1000217301	REV	A
APPROVE		DATE	2011.05.20



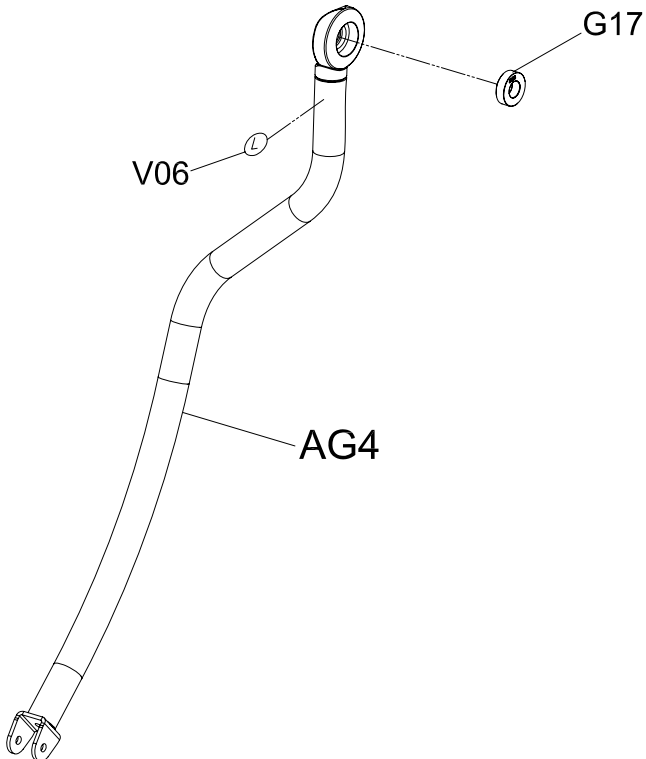
DRAWING NO	EP258-A20		
PART NAME	Right Lower Handlebar Set		
PART NO	1000217302	REV	A
APPROVE		DATE	2011.05.20



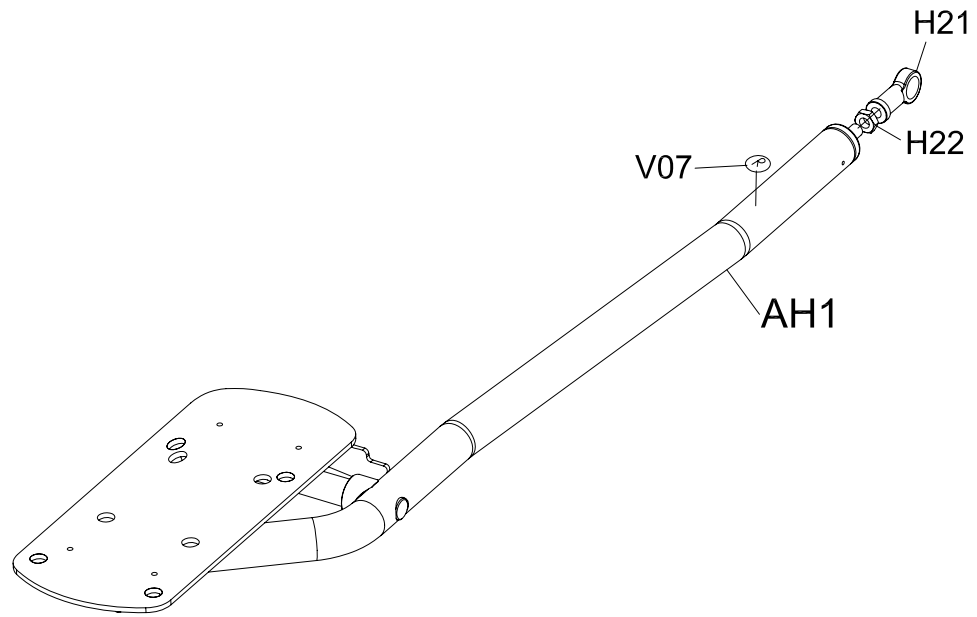
DRAWING NO	EP258-A21		
PART NAME	Left Upper Handlebar Set		
PART NO	1000217303	REV	A
APPROVE		DATE	2011.05.20



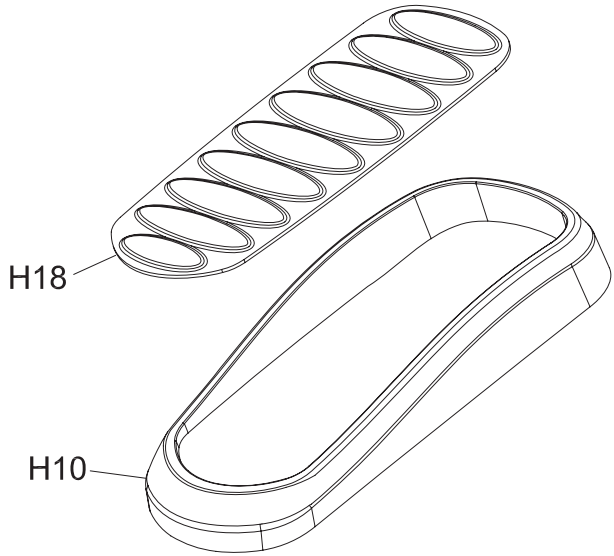
DRAWING NO	EP258-A22		
PART NAME	Left Lower Handlebar Set		
PART NO	1000217304	REV	A
APPROVE		DATE	2011.05.20



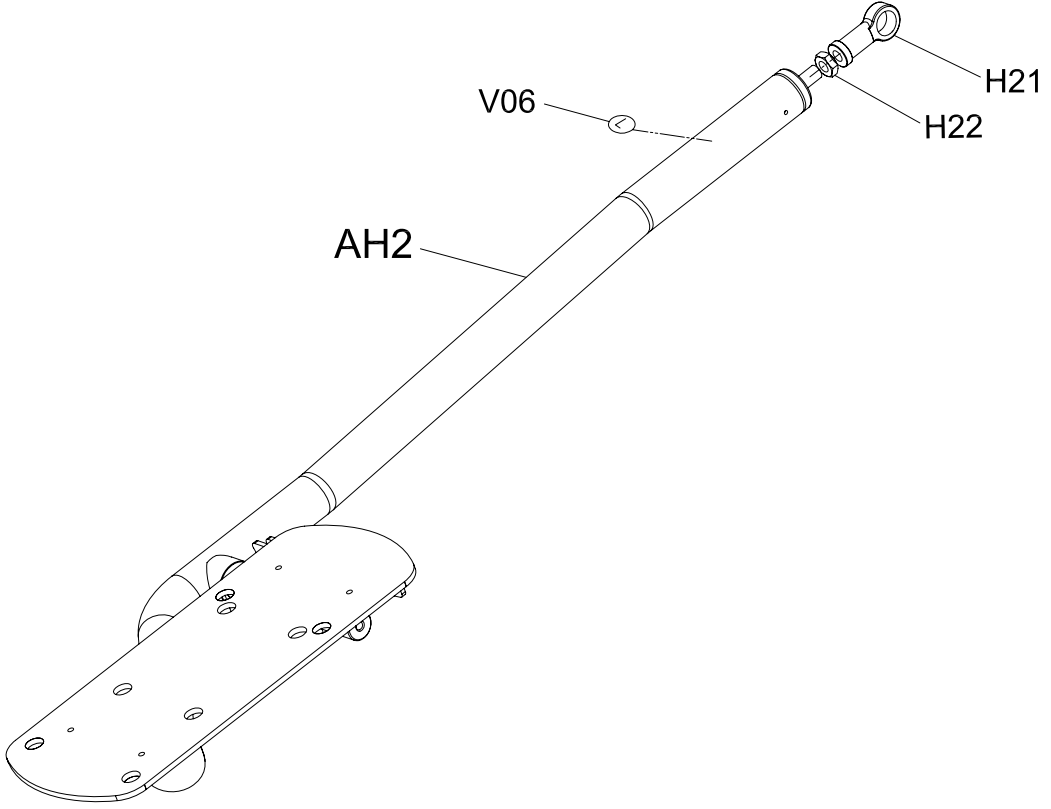
DRAWING NO	EP253-A23		
PART NAME	Right Link Arm Set		
PART NO	1000217305	REV	A
APPROVE		DATE	2011.05.20



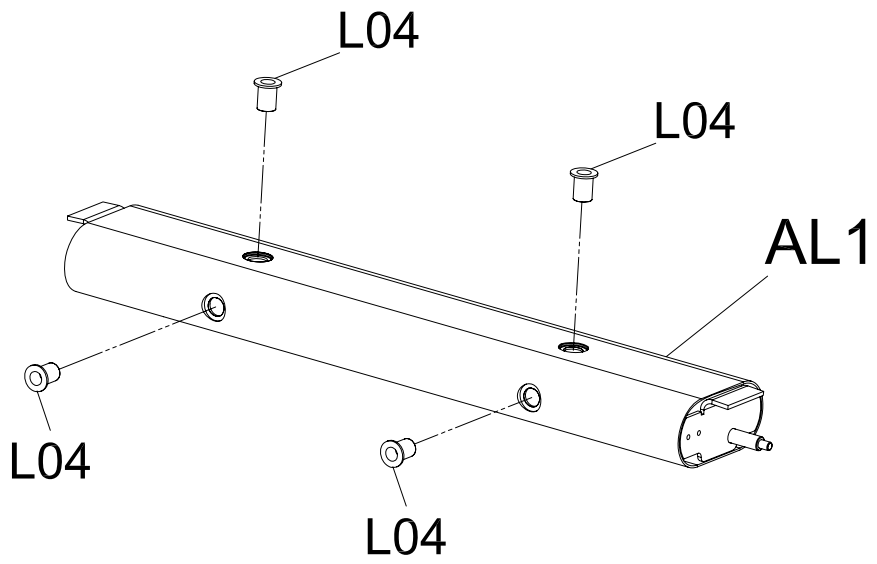
DRAWING NO	EP253-A24		
PART NAME	Footpad Set		
PART NO			A
APPROVE		DATE	2011.05.20



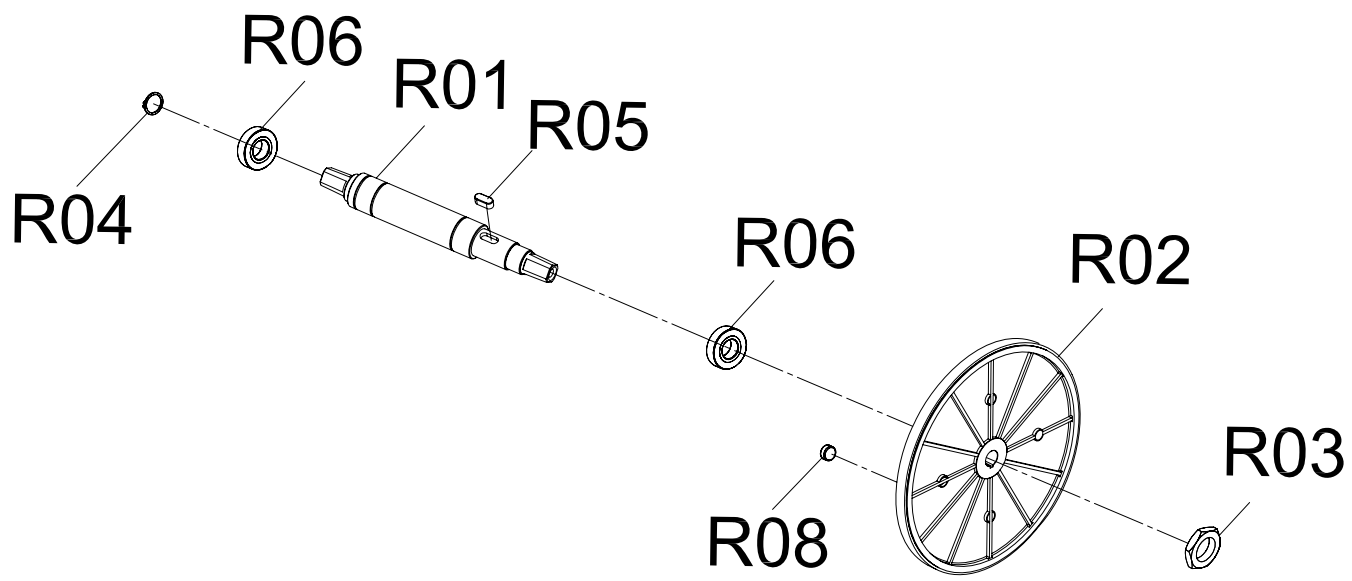
DRAWING NO	EP253-A25		
PART NAME	Left Link Arm Set		
PART NO	1000217306	REV	A
APPROVE		DATE	2011.05.20



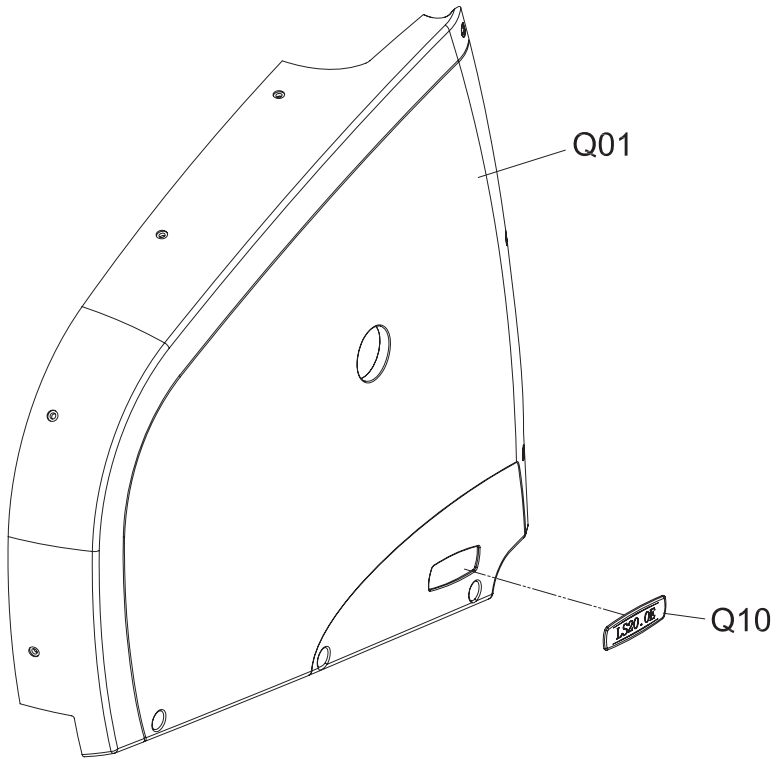
DRAWING NO	EP258-A26		
PART NAME	Front Stabilizer Tube Set		
PART NO	1000217308	REV	A
APPROVE		DATE	2011.05.20



DRAWING NO	EP258-A27		
PART NAME	Drive Set		
PART NO	1000217309	REV	A
APPROVE		DATE	2011.05.20



DRAWING NO	EP258-A28		
PART NAME	Right Frame Cover Set		
PART NO		REV	A
APPROVE		DATE	2011.05.20



DRAWING NO	EP258-A29		
PART NAME	Left Frame Cover Set		
PART NO		REV	A
APPROVE		DATE	2011.05.20

